



US00D768112S

(12) **United States Design Patent**
Azhari

(10) **Patent No.:** **US D768,112 S**

(45) **Date of Patent:** **** Oct. 4, 2016**

(54) **BLUETOOTH SPEAKER**

(71) Applicant: **Gibson Brands, Inc.**, Nashville, TN
(US)

(72) Inventor: **Irwan Shah Azhari**, Hong Kong (HK)

(73) Assignee: **Gibson Brands, Inc.**, Nashville, TN
(US)

(**) Term: **15 Years**

(21) Appl. No.: **29/532,239**

(22) Filed: **Jul. 2, 2015**

(51) **LOC (10) Cl.** **14-03**

(52) **U.S. Cl.**
USPC **D14/215**

(58) **Field of Classification Search**
USPC D14/167, 168, 170-172, 188, 194-196,
D14/204, 207, 209.1, 210-216, 219, 221,
D14/222, 224, 239, 496; 181/143, 144, 147,
181/148, 150, 153, 157, 198, 199;
381/300-303, 306, 332, 333, 336, 345,
381/361-364, 386-388; 369/6-12
CPC ... B60R 11/0217; G06F 1/1688; G10K 9/22;
G10K 11/004; H03F 1/327; H04M 1/03;
H04M 1/035; H04N 5/642; H04N 21/4852;
H04R 1/02; H04R 1/06; H04R 1/021; H04R
1/025; H04R 1/026; H04R 1/028; H04R
1/105; H04R 1/323; H04R 1/403; H04R
1/2803; H04R 1/2834; H04R 5/02; H04R
7/20; H04R 9/06; H04R 9/025; H04R
2201/021; H04R 2400/00; H04R 2400/07;
H04R 2499/11; H04R 2499/13; H04R
2499/15; H04S 3/00; H04S 7/30

See application file for complete search history.

(56) **References Cited**

U.S. PATENT DOCUMENTS

D547,750	S	*	7/2007	Yuyama	D14/214
D585,049	S	*	1/2009	Koroma	D14/168
D661,249	S	*	6/2012	Smith	D13/110
D692,412	S	*	10/2013	Silvera	D14/215
D713,381	S	*	9/2014	Riggs	D14/214
D713,382	S	*	9/2014	Riggs	D14/215
D726,152	S	*	4/2015	Ferber	D14/215
D729,762	S	*	5/2015	Hu	D14/194
D733,682	S	*	7/2015	Kelly	D14/215
D749,541	S	*	2/2016	Wong	D14/170
D750,594	S	*	3/2016	Wong	D14/214

* cited by examiner

Primary Examiner — Keli L Hill

(74) *Attorney, Agent, or Firm* — Bates & Bates, LLC

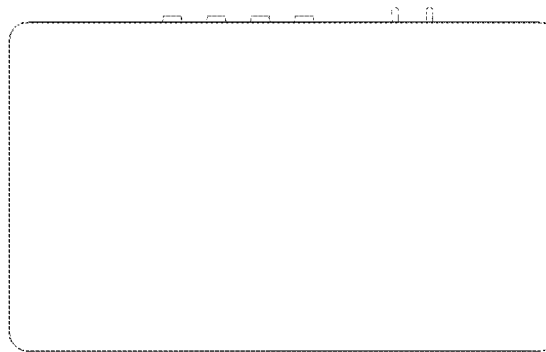
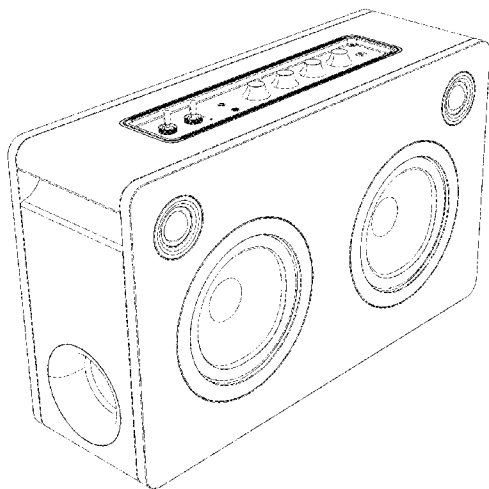
(57) **CLAIM**

What is claimed is the ornamental design for a bluetooth speaker, as shown and described.

DESCRIPTION

FIG. 1 is a perspective view of the bluetooth speaker; FIG. 2 is a front view of the bluetooth speaker; FIG. 3 is a back view of the bluetooth speaker; FIG. 4 is a right side view of the bluetooth speaker; FIG. 5 is a left side view of the bluetooth speaker; FIG. 6 is a top view of the bluetooth speaker; and, FIG. 7 is a bottom view of the bluetooth speaker. The broken line showing of the various ports and grill pattern seen in FIGS. 4 and 7 are included for the purpose of illustrating portions of the bluetooth speaker that form no part of the claim.

1 Claim, 7 Drawing Sheets



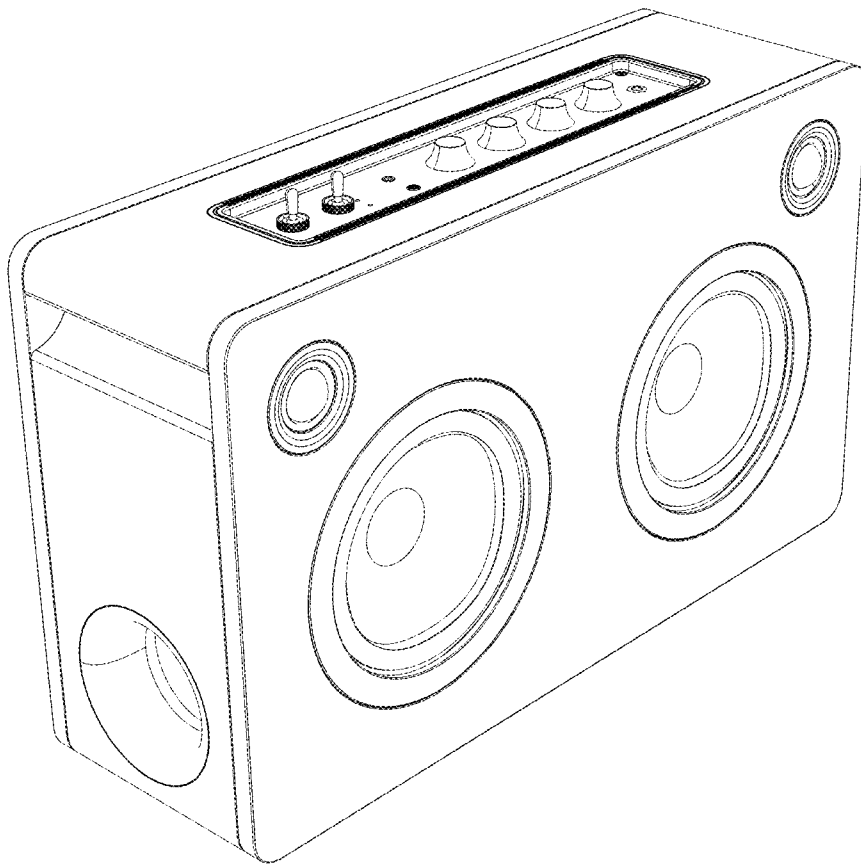


FIG. 1

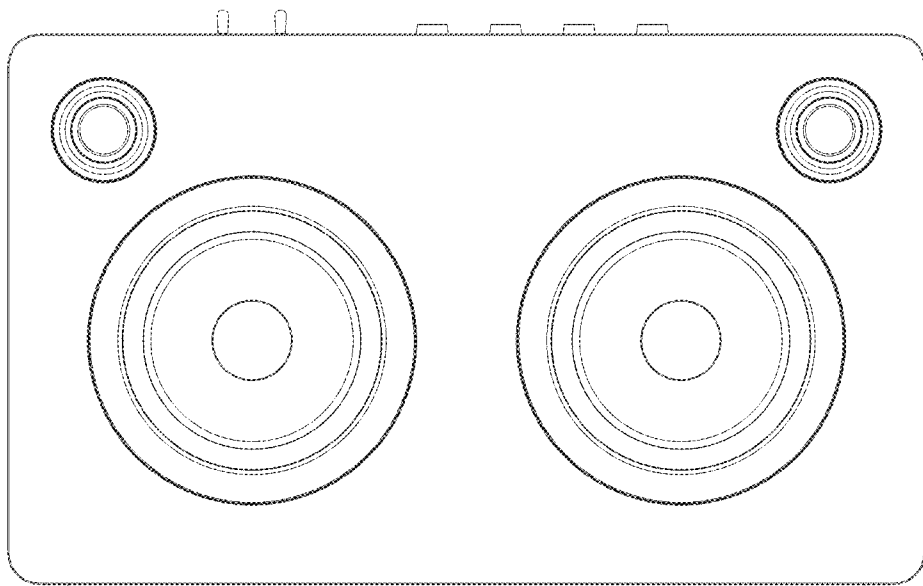


FIG. 2

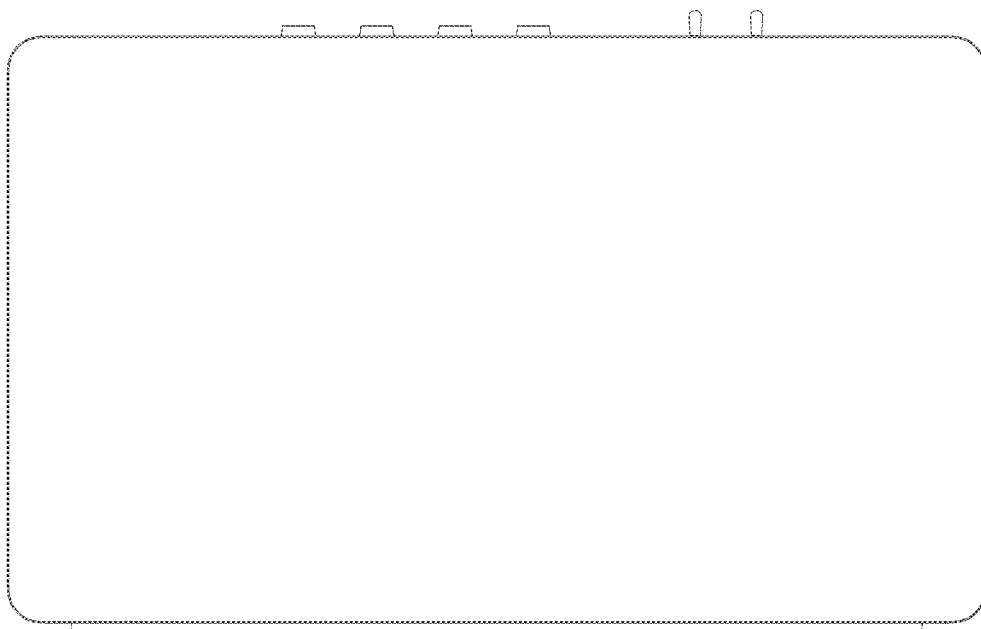


FIG. 3

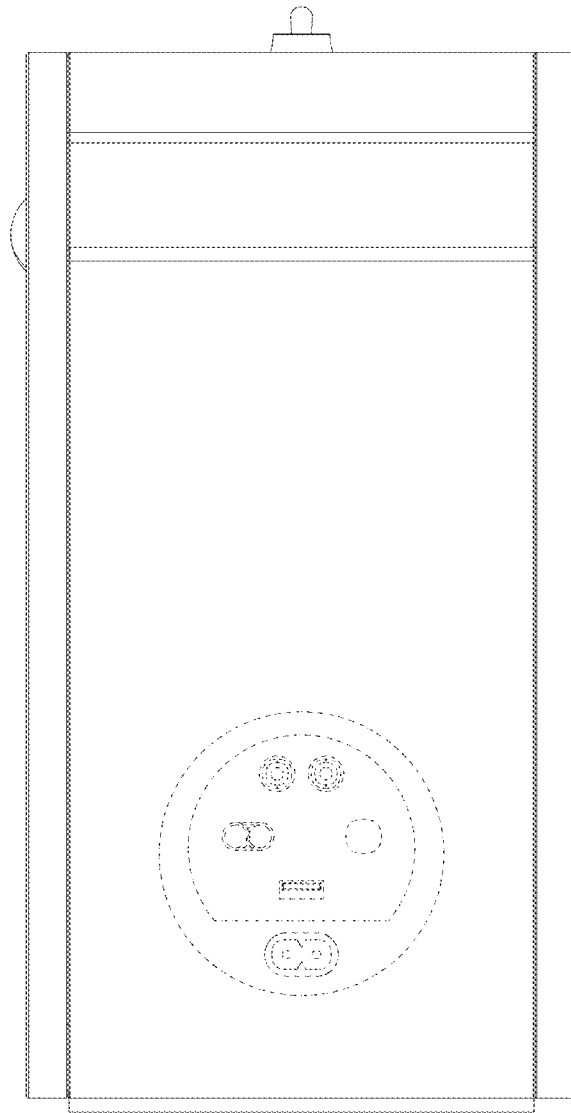


FIG. 4

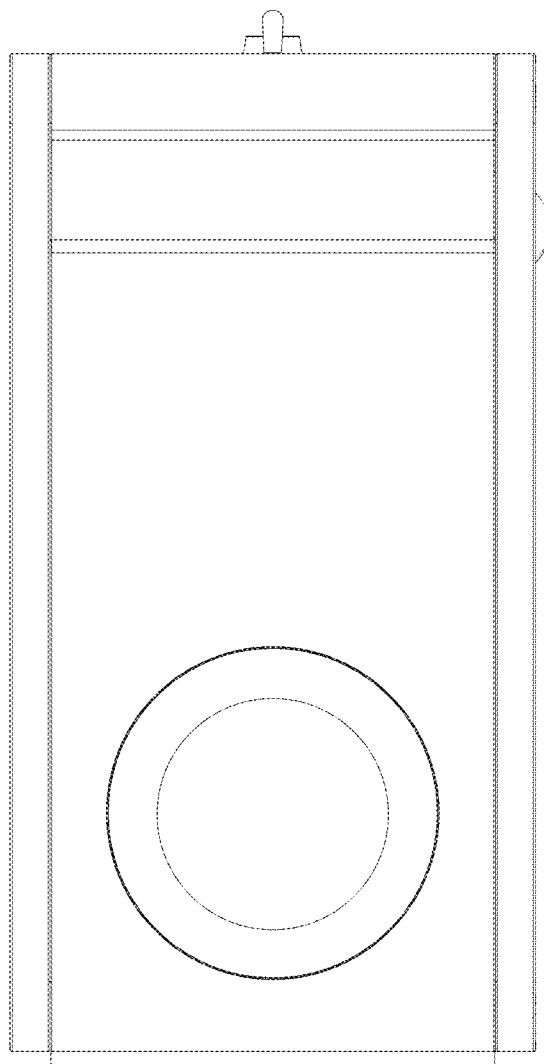


FIG. 5

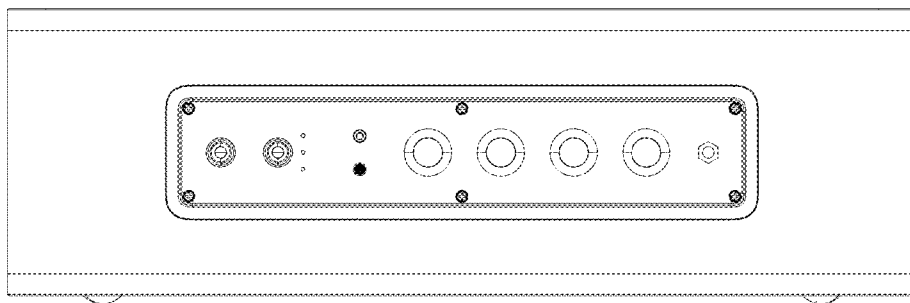


FIG. 6

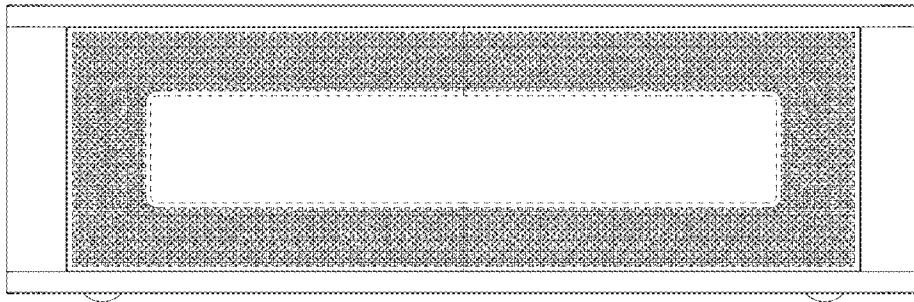


FIG. 7