

United States Patent [19]

Kroll et al.

[11] Patent Number: **Des. 282,088**

[45] Date of Patent: **** Jan. 7, 1986**

[54] **TOY VAN**

[75] Inventors: **Frederick H. Kroll, 72 Wood Hollow La., New Rochelle, N.Y. 10804; Rosalind M. Fox, Indialantic, Fla.**

[73] Assignee: **Frederick H. Kroll, New Rochell, N.Y.**

[**] Term: **14 Years**

[21] Appl. No.: **491,729**

[22] Filed: **May 5, 1983**

[52] U.S. Cl. **D21/78**

[58] Field of Search **D21/76, 78, 79, 80, D21/81, 128, 131, 132, 133, 134, 135, 136, 137, 139, 140; 280/87.01, 87.02 R, 87.1, 87.2; 446/440, 451, 465, 466**

[56] **References Cited**

U.S. PATENT DOCUMENTS

D. 228,398 9/1973 Campenell D21/78

D. 231,665	5/1974	Spiegel	D21/134
D. 259,730	6/1981	Arad et al.	D21/78
D. 274,442	6/1984	Appel et al.	D21/78
4,430,827	2/1984	Rice et al.	446/465

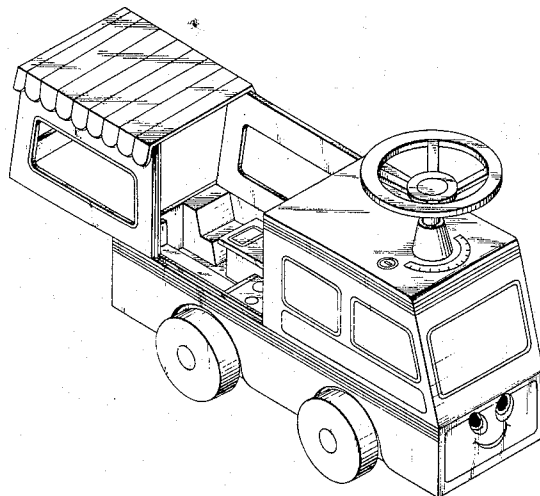
Primary Examiner—Charles A. Rademaker
Attorney, Agent, or Firm—McAulay, Fields, Fisher, Goldstein & Nissen

[57] CLAIM

The ornamental design for a toy van, as shown and described.

DESCRIPTION

FIG. 1 is a top plan view of a toy van showing our new design;
FIG. 2 is a front elevational view thereof;
FIG. 3 is a bottom plan view thereof;
FIG. 4 is a right side elevational view thereof;
FIG. 5 is a left side elevational view thereof;
FIG. 6 is a rear elevational view thereof; and
FIG. 7 is a perspective view showing the rear portion in the open position.



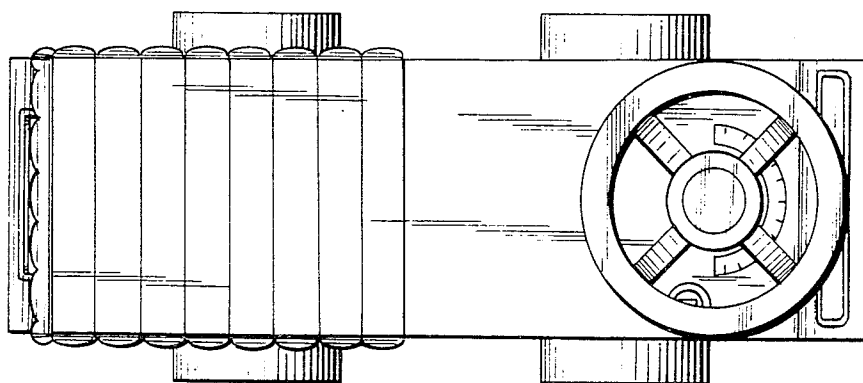


FIG. 1

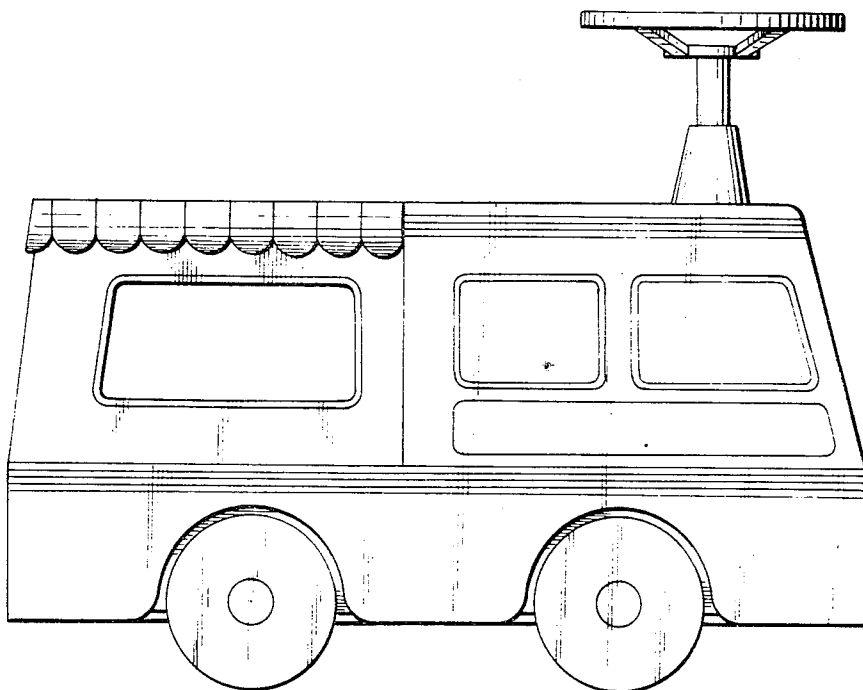


FIG. 2

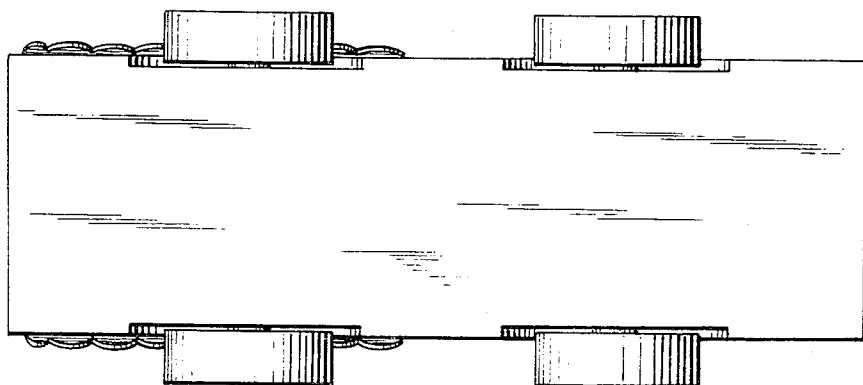


FIG. 3

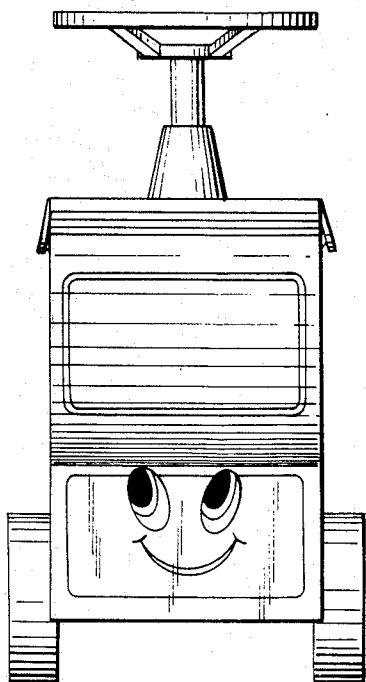


FIG. 4

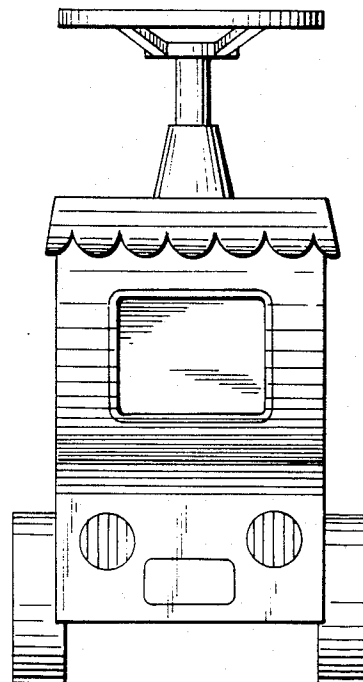


FIG. 5

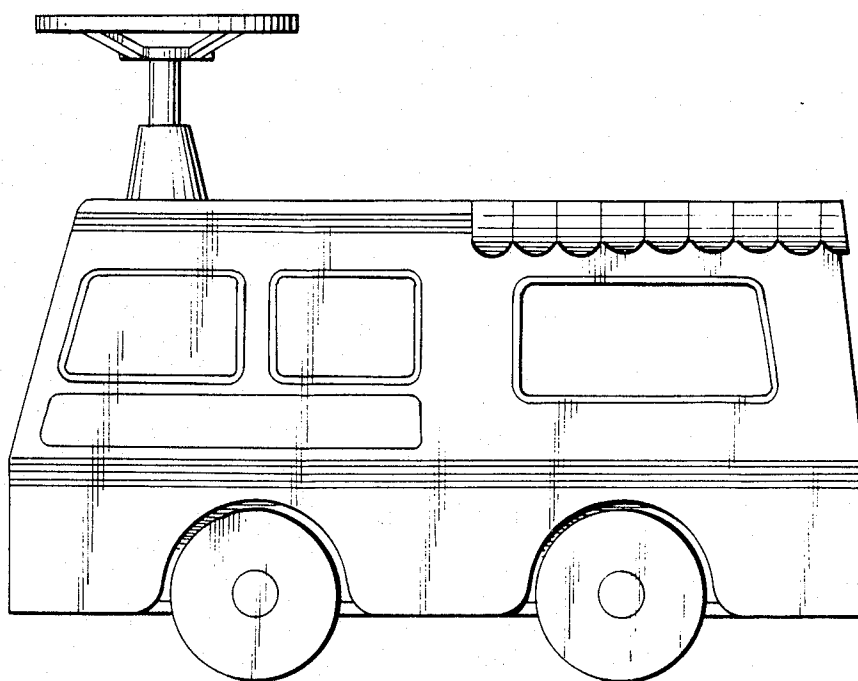


FIG. 6

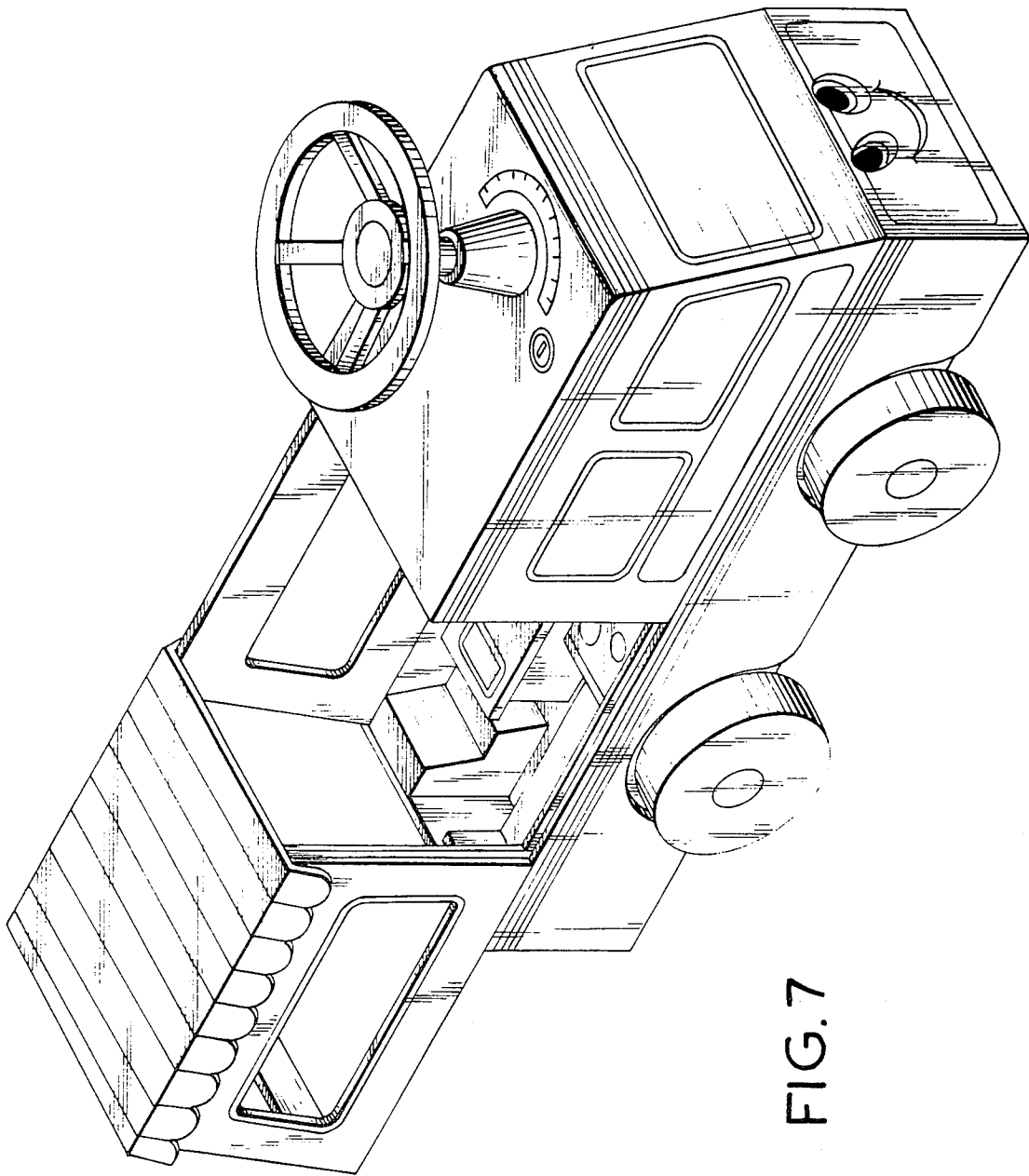


FIG. 7