

[54] ADJUSTABLE WIREFORM LAMP HOLDER FOR TRACK LIGHTING FIXTURE

[75] Inventors: Robert S. Fremont, Deerfield; James R. Gross, Geneva, both of Ill.

[73] Assignee: Juno Lighting, Inc., Des Plaines, Ill.

[\*\*] Term: 14 Years

[21] Appl. No.: 283,899

[22] Filed: Dec. 12, 1988

[52] U.S. Cl. .... D26/63

[58] Field of Search ..... D26/60-66; 362/147, 267, 275, 287, 418, 419, 427, 404, 432

[56] References Cited

U.S. PATENT DOCUMENTS

D. 288,135	2/1987	Donato	.....	D26/63
D. 299,553	1/1989	Donato	.....	D26/63
4,112,486	9/1978	Tovi	.....	362/275 X
4,727,460	2/1988	Payne	.....	362/269

OTHER PUBLICATIONS

Domus, 7-8-1987, ADS-p. 14, Spotlight.

Primary Examiner—Susan J. Lucas

Attorney, Agent, or Firm—Anthony S. Zummer

[57] CLAIM

The ornamental design for a adjustable wireform lamp holder for track lighting fixture, as shown and described.

DESCRIPTION

FIG. 1 is a front, right side perspective view of an adjustable wireform lamp holder for track lighting fixture showing our new design;

FIG. 2 is a right side elevational view thereof, the left side being a mirror image;

FIG. 3 is a front elevational view thereof;

FIG. 4 is a rear elevational view thereof;

FIG. 5 is a top plan view thereof;

FIG. 6 is a bottom plan view thereof.

The lamp and track mount are shown in broken lines for illustrative purposes only.

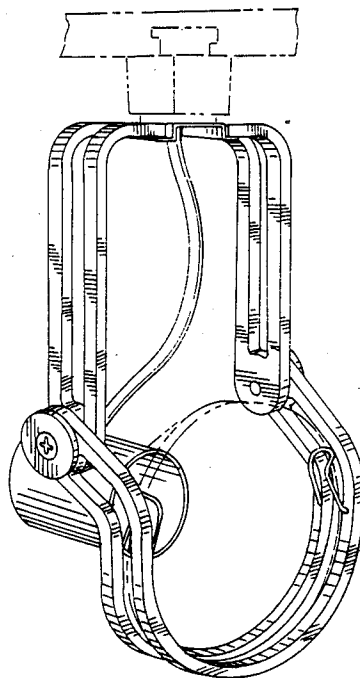


FIG. 2-

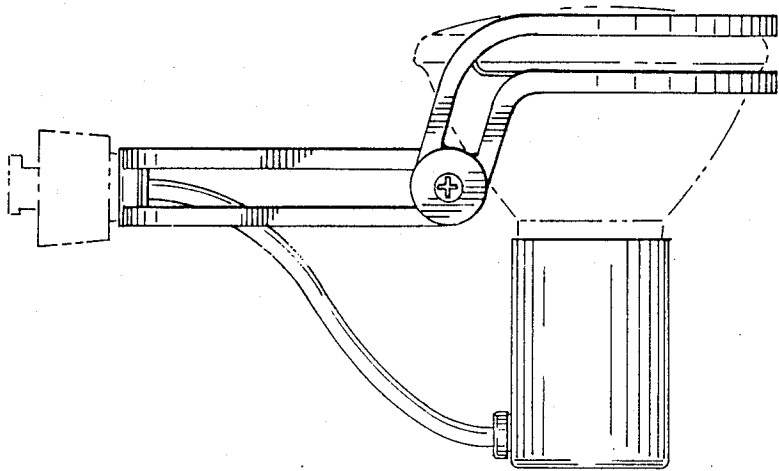


FIG. 1-

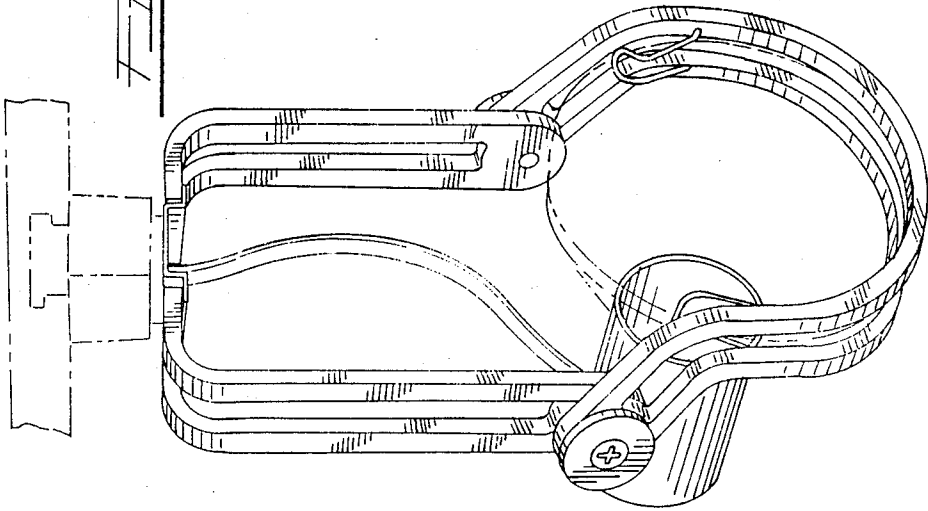


FIG-3-

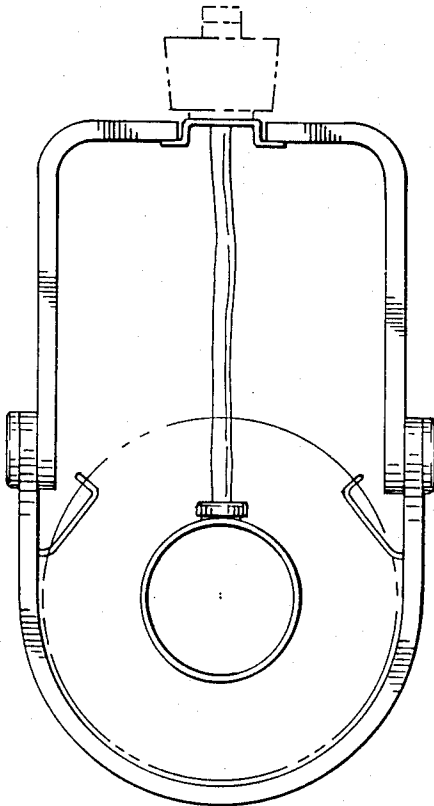


FIG-4-

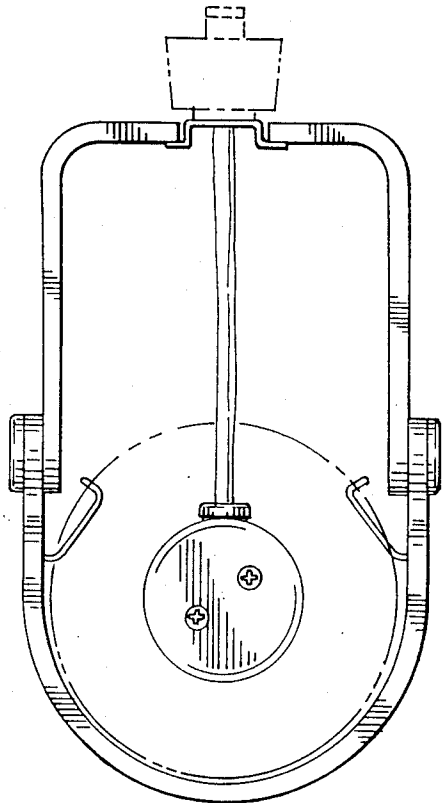


FIG-5-

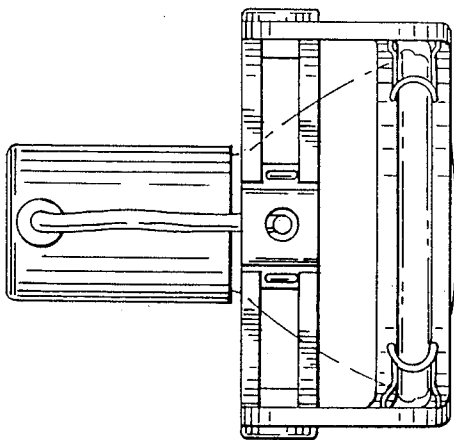


FIG-6-

