



US00D700217S

(12) **United States Design Patent**  
**Chu**

(10) **Patent No.:** **US D700,217 S**

(45) **Date of Patent:** **\*\* Feb. 25, 2014**

(54) **CAP FOR AIR COMPRESSOR**

(71) Applicant: **Henry C. Chu**, Orange, CA (US)

(72) Inventor: **Henry C. Chu**, Orange, CA (US)

(\*\*) Term: **14 Years**

(21) Appl. No.: **29/460,839**

(22) Filed: **Jul. 16, 2013**

(51) **LOC (10) Cl.** ..... **15-02**

(52) **U.S. Cl.**  
USPC ..... **D15/9**

(58) **Field of Classification Search**  
USPC ..... D15/7-9; D23/231, 232, 225; 417/60,  
417/235, 265, 321, 355, 358, 363, 359,  
417/410.1, 415-416, 405, 900, 279;  
60/408, 412; 184/26-37; 415/140-147;  
123/495, 509

See application file for complete search history.

(56) **References Cited**

U.S. PATENT DOCUMENTS

D428,978 S \* 8/2000 Ito et al. .... D23/325  
D429,738 S \* 8/2000 Kayukawa et al. .... D15/9  
D462,364 S \* 9/2002 Fujita et al. .... D15/9  
D463,453 S \* 9/2002 Fujita ..... D15/9

\* cited by examiner

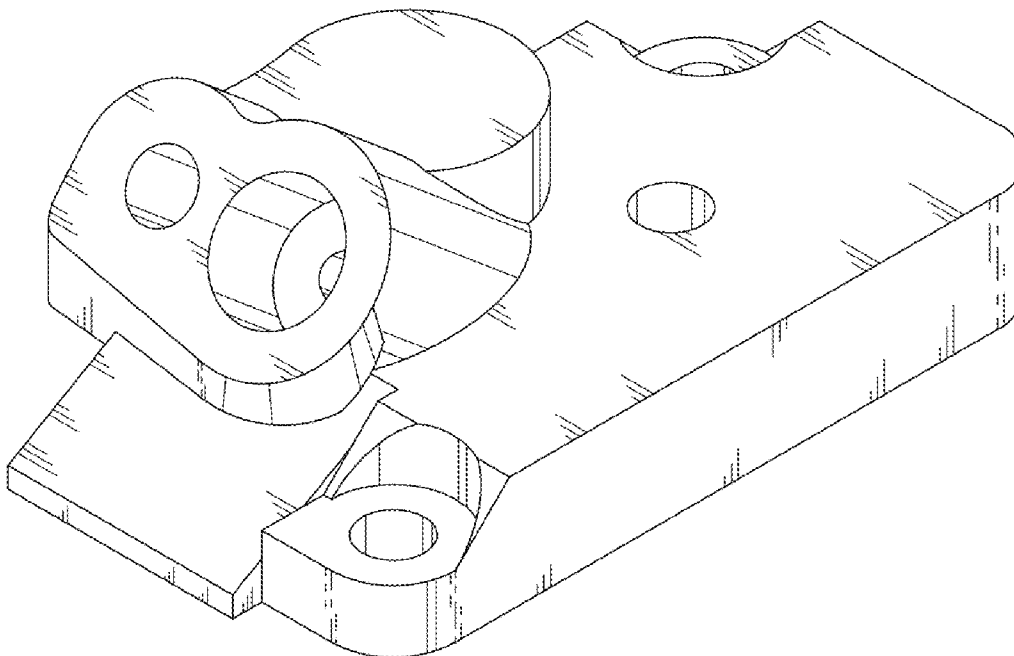
*Primary Examiner* — Ralf Seifert  
(74) *Attorney, Agent, or Firm* — Charles E. Baxley

(57) **CLAIM**  
The ornamental design for a cap for air compressor, as shown and described.

**DESCRIPTION**

FIG. 1 is a front perspective view of a cap for air compressor showing my new design;  
FIG. 2 is a front elevational view thereof;  
FIG. 3 is a rear elevational view thereof;  
FIG. 4 is a top plan view thereof;  
FIG. 5 is a bottom plan view thereof;  
FIG. 6 is a left side elevational view thereof;  
FIG. 7 is a right side elevational view thereof;  
FIG. 8 is a rear and upper perspective view thereof; and,  
FIG. 9 is a rear and bottom perspective view thereof.

**1 Claim, 3 Drawing Sheets**



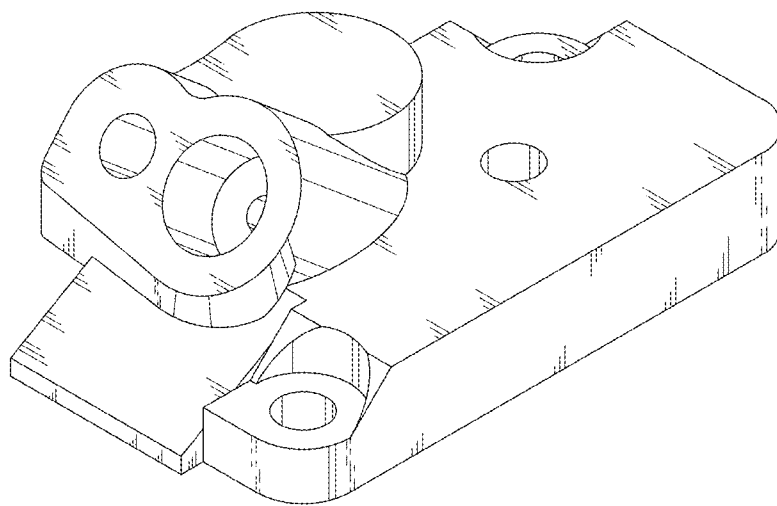


FIG. 1

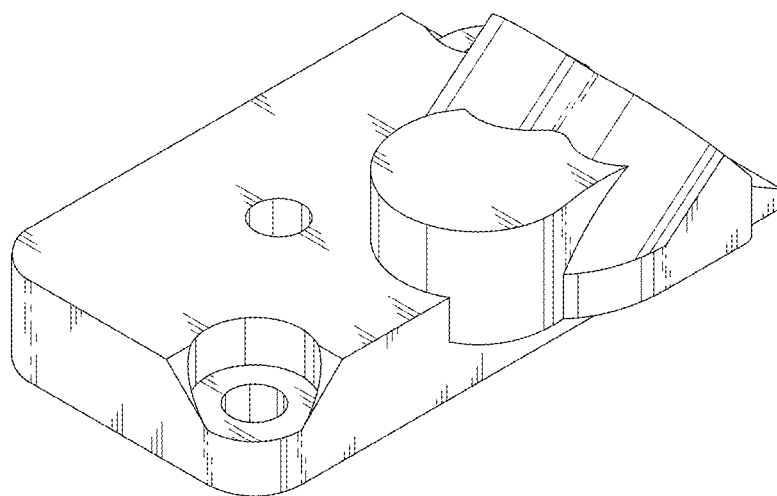


FIG. 8

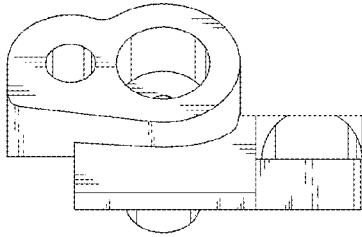


FIG. 2

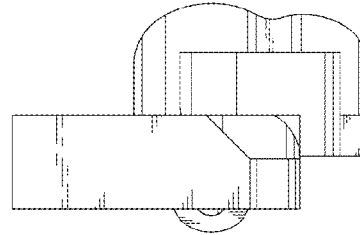


FIG. 3

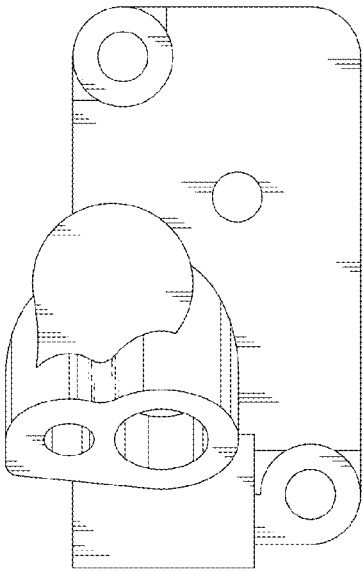


FIG. 4

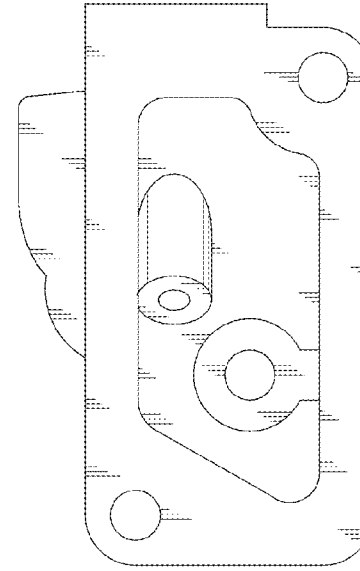


FIG. 5

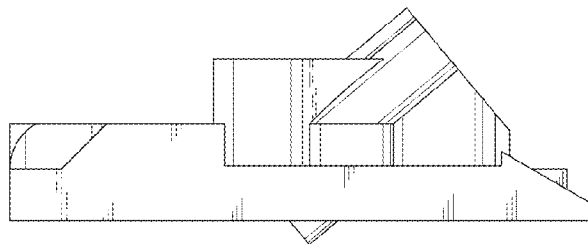


FIG. 6

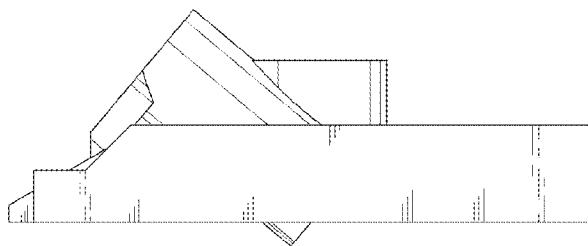


FIG. 7

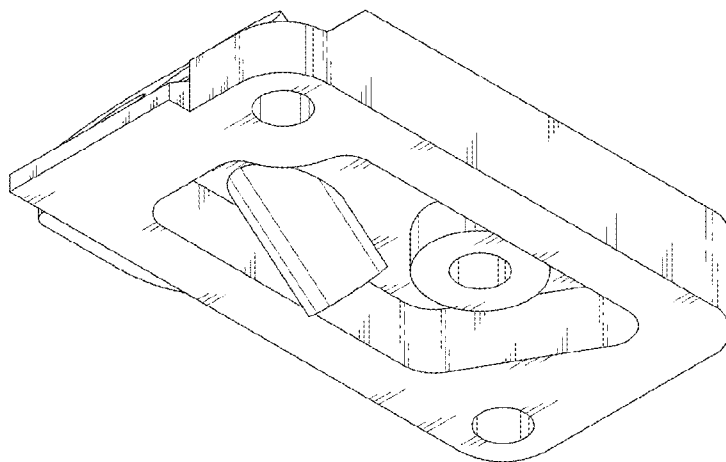


FIG. 9