



US00D766420S

(12) **United States Design Patent**
Jaeger-Waldau

(10) **Patent No.:** **US D766,420 S**

(45) **Date of Patent:** **** Sep. 13, 2016**

(54) **BREAST PUMP**

(71) Applicant: **Mapa GmbH**, Zeven (DE)

(72) Inventor: **Reinhold Jaeger-Waldau**, Scheessel (DE)

(73) Assignee: **Mapa GmbH**, Zeven (DE)

(**) Term: **14 Years**

(21) Appl. No.: **29/447,731**

(22) Filed: **Mar. 6, 2013**

(30) **Foreign Application Priority Data**

Sep. 6, 2012 (EM) 002098244

(51) **LOC (10) Cl.** **24-02**

(52) **U.S. Cl.**
USPC **D24/109**

(58) **Field of Classification Search**

USPC D24/108, 109; 604/74-76
CPC A61M 1/062; A61M 1/06; A61M 1/066;
A61M 1/064

See application file for complete search history.

(56) **References Cited**

U.S. PATENT DOCUMENTS

7,267,662	B1 *	9/2007	Kirchner	604/74
D583,985	S *	12/2008	Warden et al.	D26/109
D636,072	S *	4/2011	Silver	D24/109
D701,955	S *	4/2014	Thomas	D24/109
2004/0024351	A1 *	2/2004	Greter et al.	604/74
2005/0101908	A1 *	5/2005	Atkin et al.	604/74
2007/0078383	A1 *	4/2007	Tashiro et al.	604/74
2007/0191763	A1 *	8/2007	Nuesch	604/74
2008/0208115	A1 *	8/2008	Kliegman et al.	604/74

2008/0255503	A1 *	10/2008	Quackenbush et al.	604/74
2009/0062731	A1 *	3/2009	Keyong et al.	604/74
2009/0099511	A1 *	4/2009	Sutrina et al.	604/74
2009/0171270	A1 *	7/2009	Rohrig	604/74
2010/0174232	A1 *	7/2010	Wortley et al.	604/74
2011/0160656	A1 *	6/2011	Johnson et al.	604/74
2011/0238007	A1 *	9/2011	Tack et al.	604/74
2012/0022445	A1 *	1/2012	Jones	604/74
2013/0190686	A1 *	7/2013	Darnell et al.	604/74
2013/0245548	A1 *	9/2013	Cook et al.	604/74
2014/0052057	A1 *	2/2014	Darnell et al.	604/74
2014/0088495	A1 *	3/2014	Behrens et al.	604/74
2014/0094747	A1 *	4/2014	Hirata et al.	604/74

* cited by examiner

Primary Examiner — Deanna L Pratt

Assistant Examiner — Lilyana Bekic

(74) *Attorney, Agent, or Firm* — Vidas Arrett & Steinkraus

(57) **CLAIM**

The ornamental design for a breast pump, as shown and described.

DESCRIPTION

FIG. 1 is a left side view of the breast pump the right side being a mirror image thereof;

FIG. 2 is a front side view of the breast pump of FIG. 1;

FIG. 3 is a back side view of the breast pump of FIG. 1;

FIG. 4 is a top and front perspective view of the breast pump of FIG. 1;

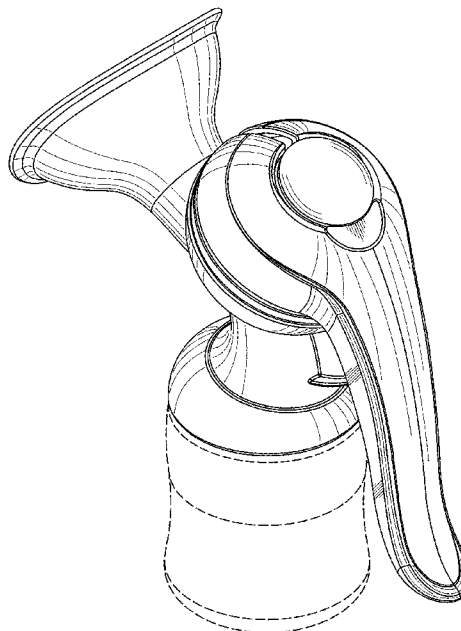
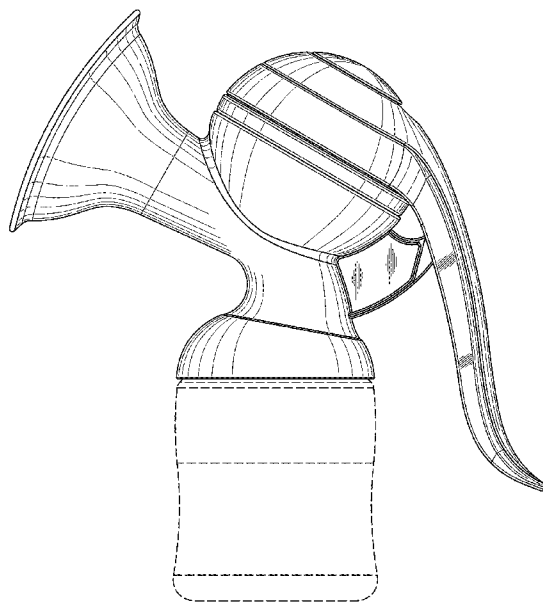
FIG. 5 is a top and back view of the breast pump of FIG. 1;

FIG. 6 is a bottom, left and front perspective view of the breast pump of FIG. 1; and,

FIG. 7 is a left, back and top perspective view of the breast pump of FIG. 1.

The broken lines in the drawings illustrate portions of the breast pump which form no part of the claimed design.

1 Claim, 7 Drawing Sheets



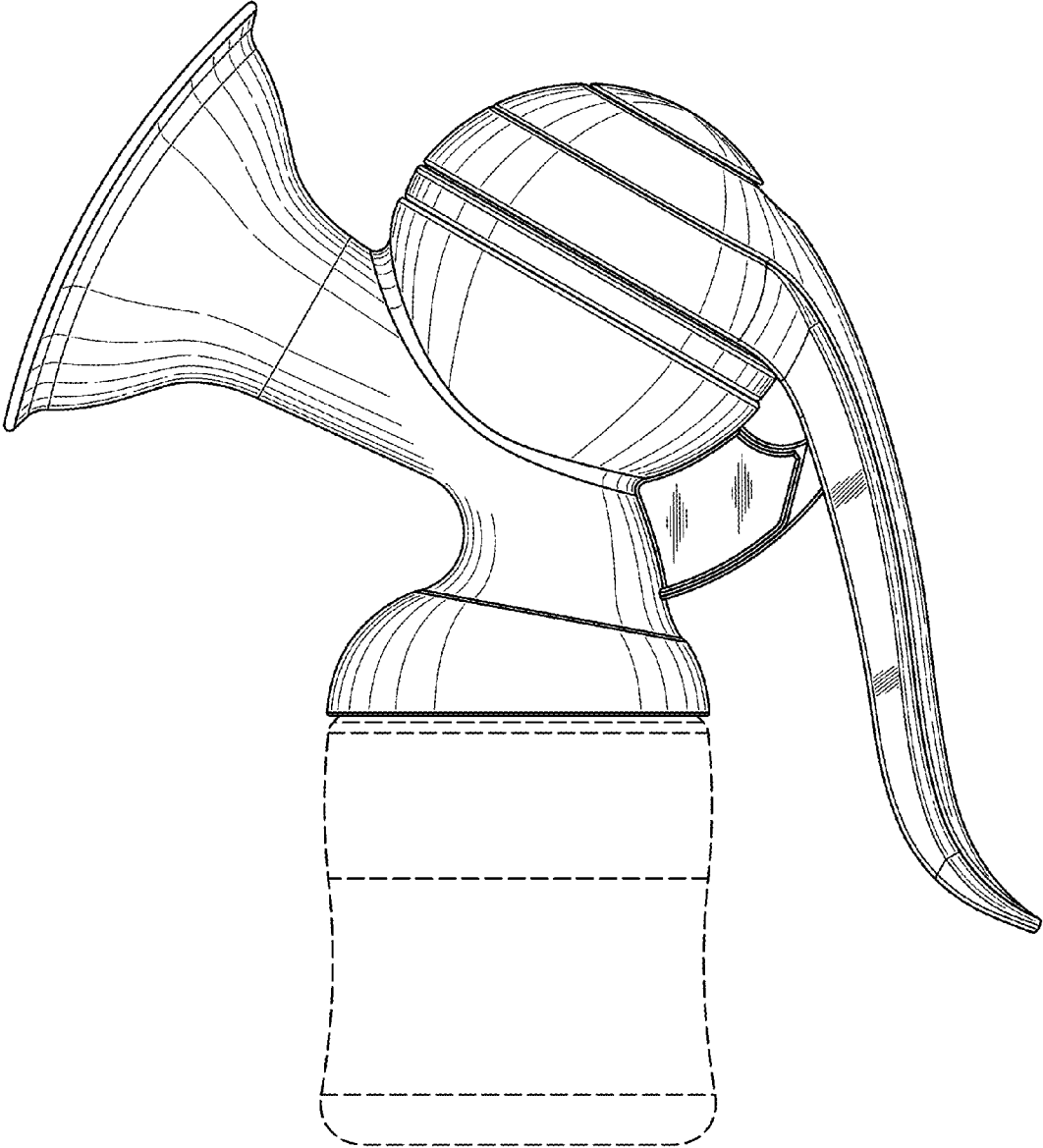


Figure 1

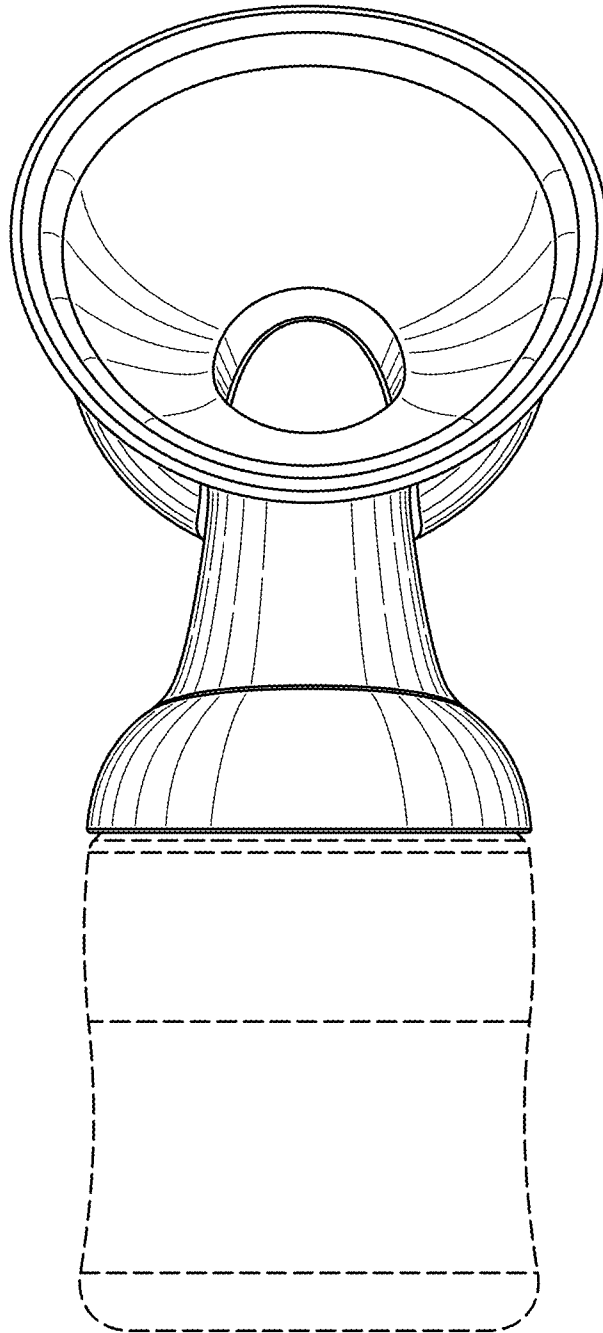


Figure 2

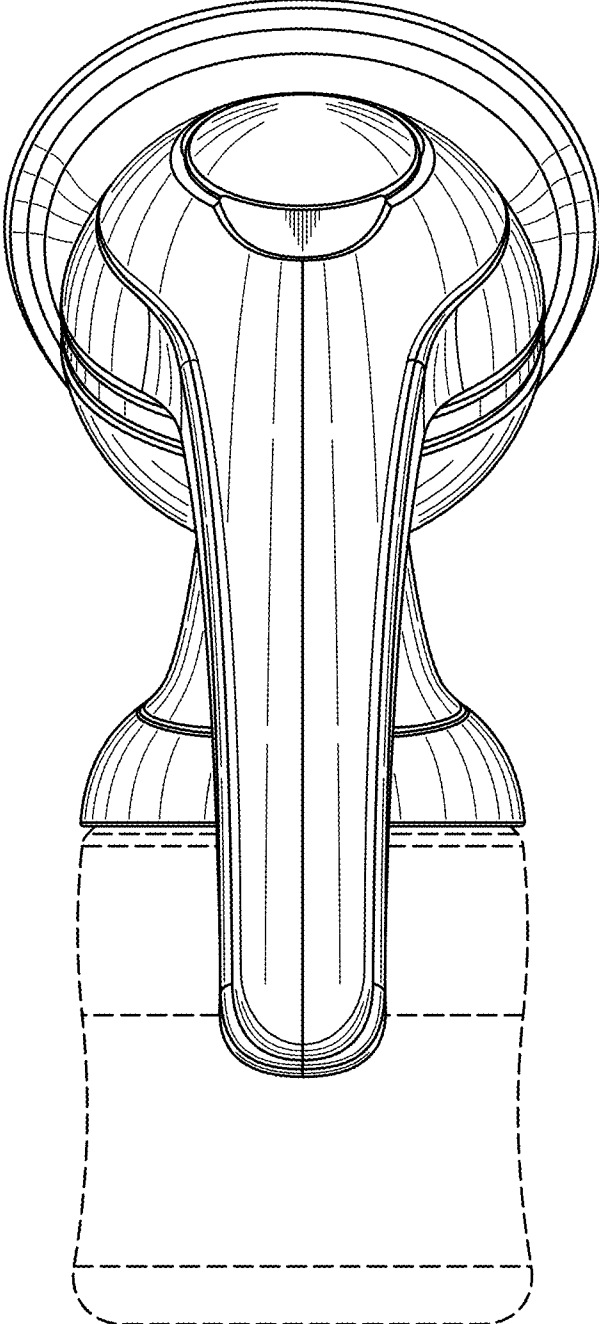


Figure 3

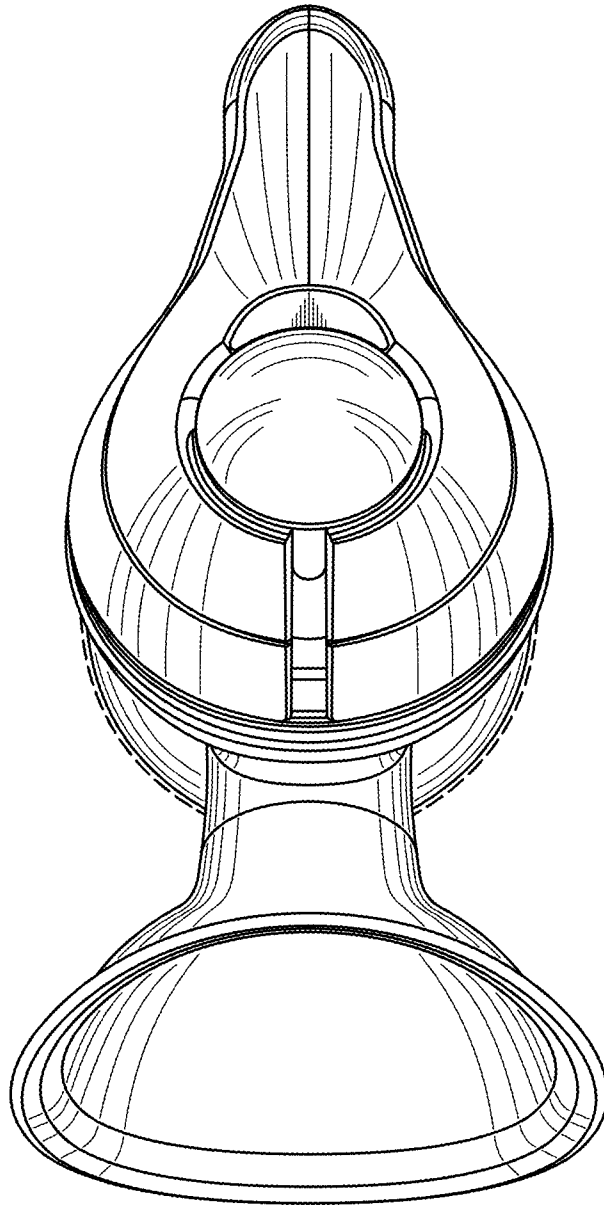


Figure 4

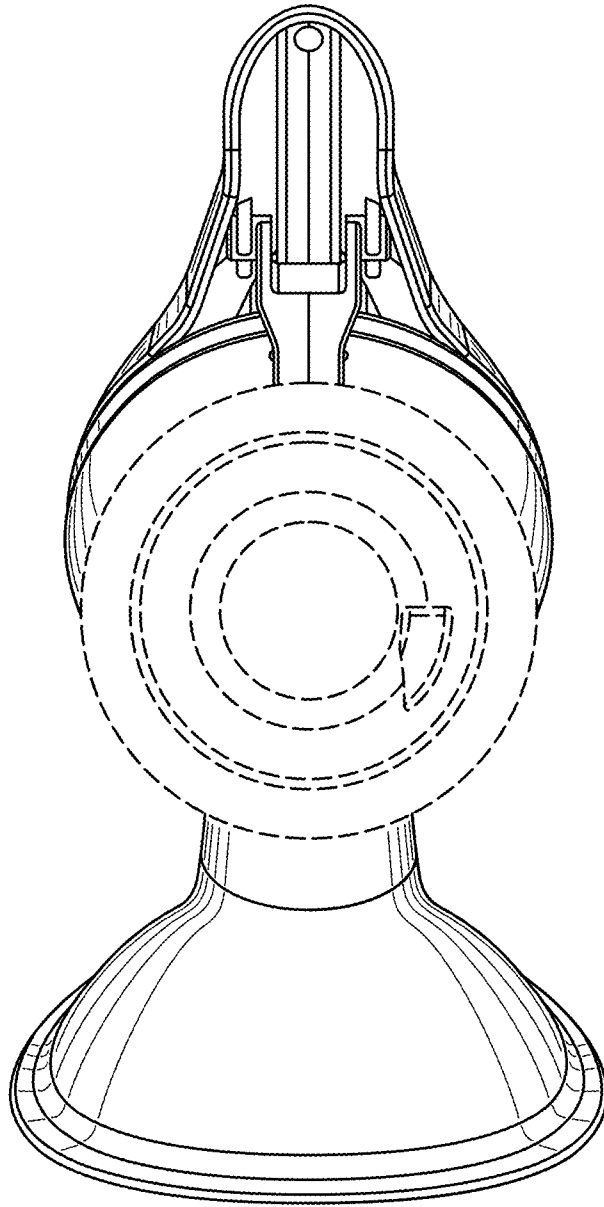
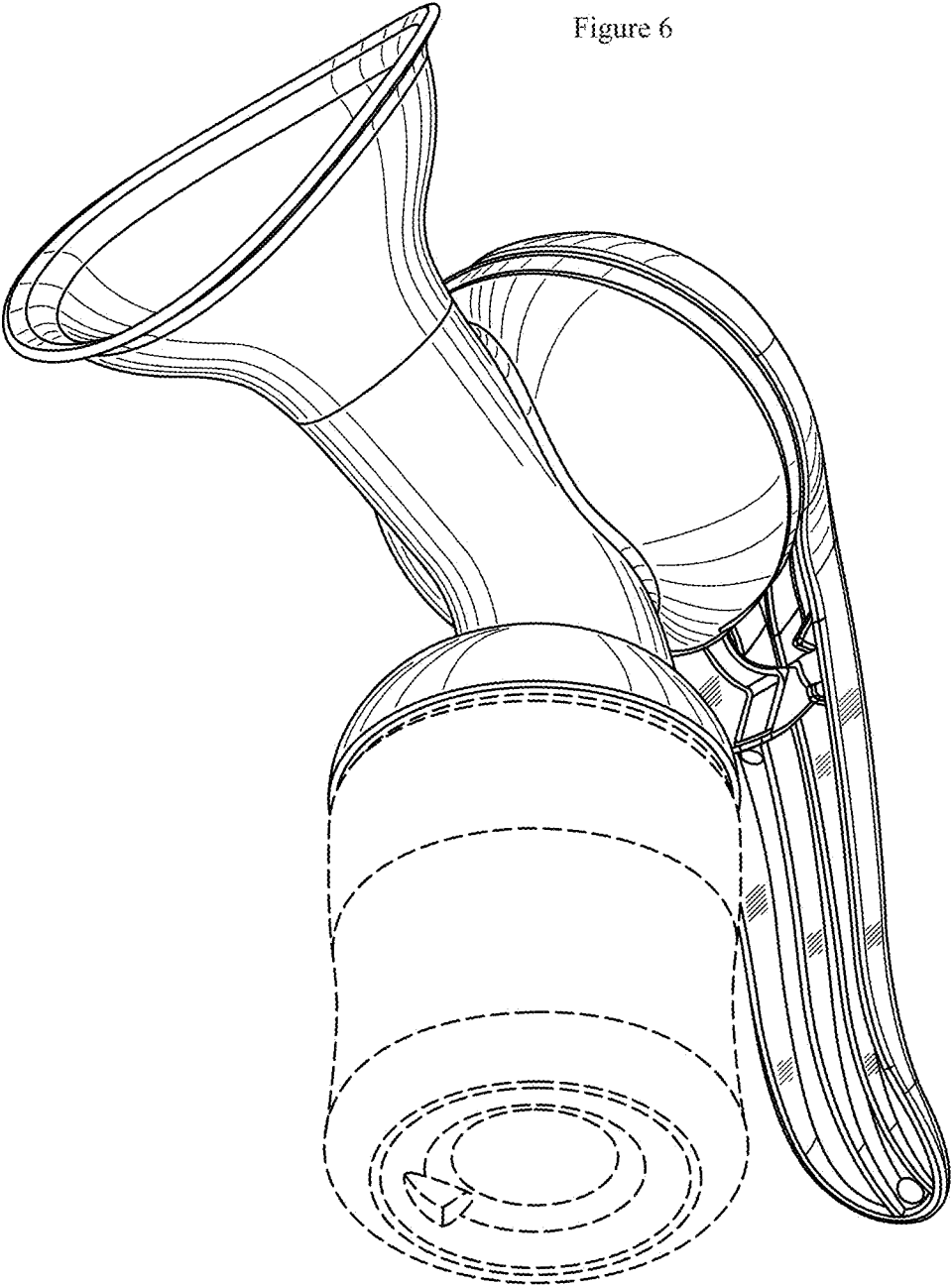


Figure 5

Figure 6



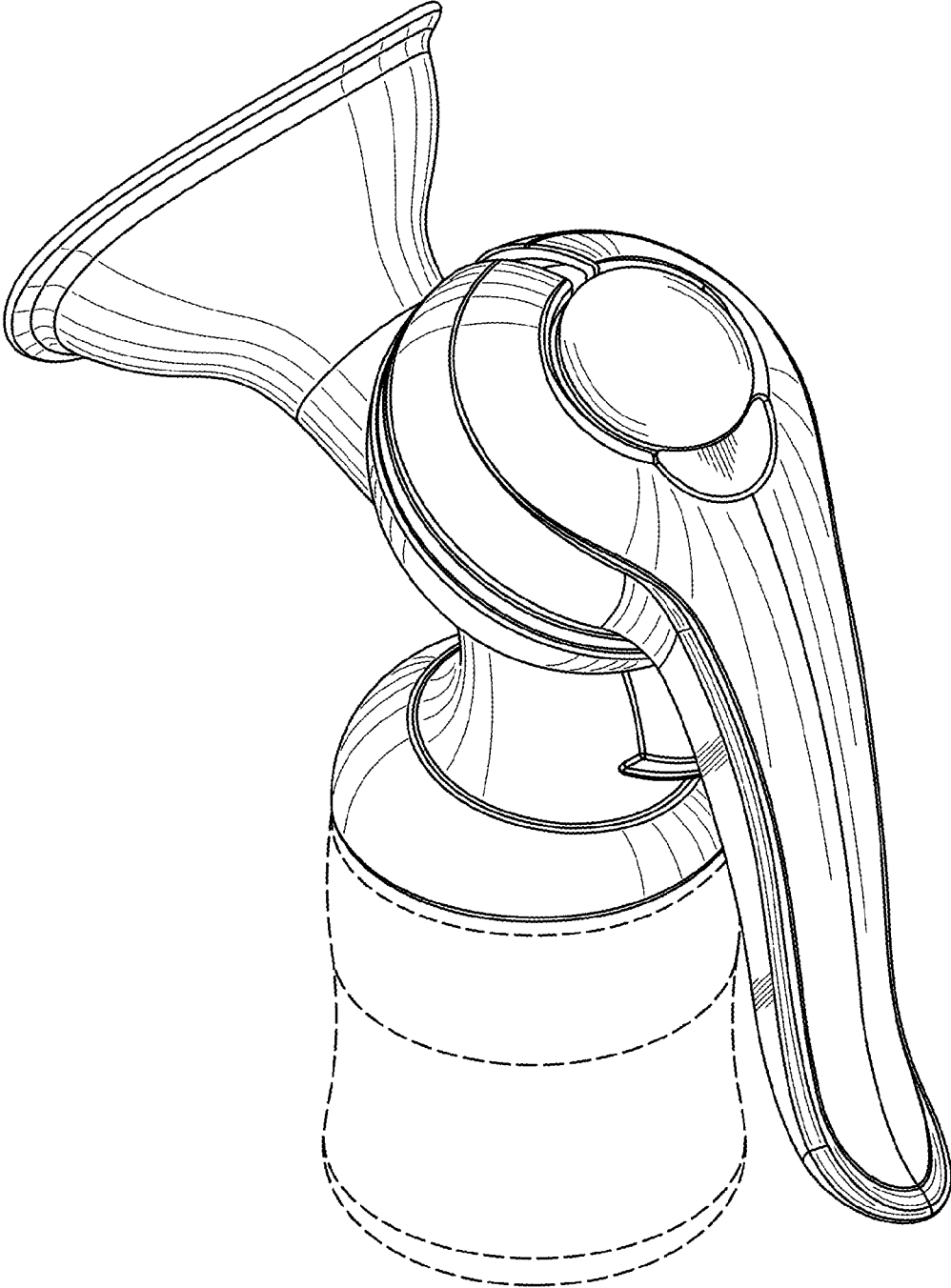


Figure 7