

(19) World Intellectual Property Organization
International Bureau



(43) International Publication Date
6 December 2007 (06.12.2007)

PCT

(10) International Publication Number
WO 2007/139740 A3

- (51) International Patent Classification:
A61M 25/06 (2006.01) A61M 5/32 (2006.01)
- (21) International Application Number:
PCT/US2007/012036
- (22) International Filing Date: 18 May 2007 (18.05.2007)
- (25) Filing Language: English
- (26) Publication Language: English
- (30) Priority Data:
11/439,479 22 May 2006 (22.05.2006) US
- (71) Applicant (for all designated States except US): **BECTON, DICKINSON AND COMPANY** [US/US]; 1 Becton Drive, Franklin Lakes, NJ 07417-1880 (US).

[SE/SE]; Bjorn Jarsidas Grand 15, S-224 77 Lund (SE).
GLOWACKI, Kristoffer [SE/SE]; Bredablick 11, S-245 32 Staffanstorp (SE).

(74) Agent: **HIGHET, David, W.**; Becton, Dickinson and Company, 1 Becton Drive, MC 110, Franklin Lakes, NJ 07417-1880 (US).

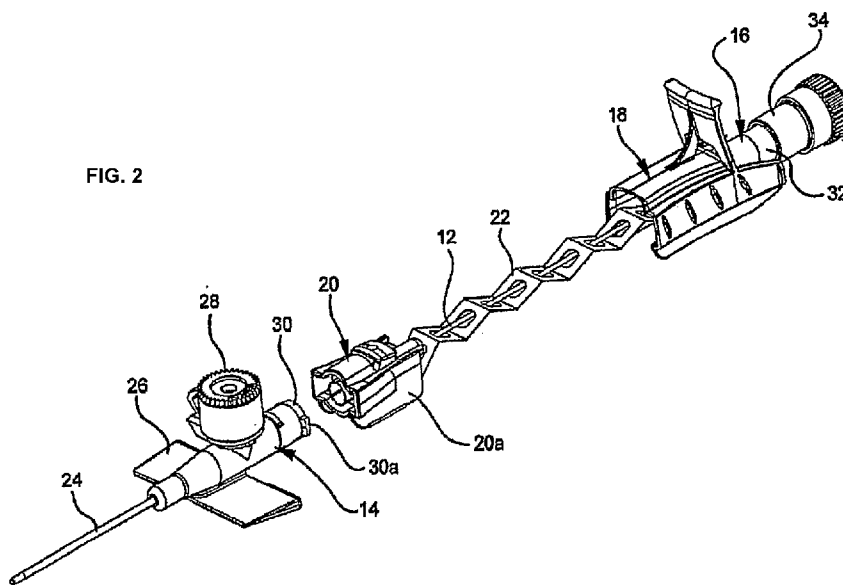
(81) Designated States (unless otherwise indicated, for every kind of national protection available): AE, AG, AL, AM, AT, AU, AZ, BA, BB, BG, BH, BR, BW, BY, BZ, CA, CH, CN, CO, CR, CU, CZ, DE, DK, DM, DZ, EC, EE, EG, ES, FI, GB, GD, GE, GH, GM, GT, HN, HR, HU, ID, IL, IN, IS, JP, KE, KG, KM, KN, KP, KR, KZ, LA, LC, LK, LR, LS, LT, LU, LY, MA, MD, ME, MG, MK, MN, MW, MX, MY, MZ, NA, NG, NI, NO, NZ, OM, PG, PH, PL, PT, RO, RS, RU, SC, SD, SE, SG, SK, SL, SM, SV, SY, TJ, TM, TN, TR, TT, TZ, UA, UG, US, UZ, VC, VN, ZA, ZM, ZW.

(84) Designated States (unless otherwise indicated, for every kind of regional protection available): ARIPO (BW, GH, GM, KE, LS, MW, MZ, NA, SD, SL, SZ, TZ, UG, ZM, ZW), Eurasian (AM, AZ, BY, KG, KZ, MD, RU, TJ, TM), European (AT, BE, BG, CH, CY, CZ, DE, DK, EE, ES, FI, FR, GB, GR, HU, IE, IS, IT, LT, LU, LV, MC, MT, NL, PL, PT, RO, SE, SI, SK, TR), OAPI (BF, BJ, CF, CG, CI, CM, GA, GN, GQ, GW, ML, MR, NE, SN, TD, TG).

- (72) Inventors; and
- (75) Inventors/Applicants (for US only): **SODERHOLM, Karl, Johan, Marten** [SE/SE]; Harlyckegatan 5B, S-256 58 Helsingborg (SE). **LUNDQVIST, Janne, Joakim** [SE/SE]; Grengatan 5C, S-275 35 Sjobo (SE). **HAGER, Jorgen, Bruno** [SE/SE]; Jonkopingsgatan 83, S-252 50 Helsingborg (SE). **LARSSON, Lars-Ake, Lennart**

[Continued on next page]

(54) Title: CATHETER ASSEMBLY WITH TIP SHIELD CLOSURE



(57) Abstract: A tip shield (20) of a catheter assembly (10) has a resilient clip compartment (38), which may become blood-filled during use of the catheter assembly. The resilient clip (40) inside the compartment is released upon withdrawal of the needle (12) of the catheter assembly to disengage the catheter hub (14) from the tip shield. The resilient clip also prevents re-exposure of the needle after being withdrawn into the tip shield. The blood-filled compartment may potentially leak or splash through an opening (36) from the compartment when the resilient clip is released. A covering (62) blocks the opening from the tip shield to minimize the risk of blood exposure. In addition, the covering minimizes the risk of premature release of the resilient clip and re-exposure of the needle.

WO 2007/139740 A3



Published:

— *with international search report*

(88) Date of publication of the international search report:

5 March 2009

INTERNATIONAL SEARCH REPORT

International application No
PCT/US2007/012036

A. CLASSIFICATION OF SUBJECT MATTER
INV. A61M25/06 A61M5/32

According to International Patent Classification (IPC) or to both national classification and IPC

B. FIELDS SEARCHED

Minimum documentation searched (classification system followed by classification symbols)
A61M

Documentation searched other than minimum documentation to the extent that such documents are included in the fields searched

Electronic data base consulted during the international search (name of data base and, where practical, search terms used)

EPO-Internal, WPI Data

C. DOCUMENTS CONSIDERED TO BE RELEVANT

Category*	Citation of document, with indication, where appropriate, of the relevant passages	Relevant to claim No.
X	WO 2005/053774 A (SPECIALIZED HEALTH PROD INC [US]; SNOW JEREMY K [US]; FERGUSON F MARK) 16 June 2005 (2005-06-16) figures 1-15,27-33 page 10, line 22 - page 14, line 14 page 23, line 14 - page 25, line 20	1-4, 9-12, 15-17,19
X	US 5 697 907 A (GABA RODOLFO [US]) 16 December 1997 (1997-12-16) figures 1-3,8,9 column 1, line 48 - line 52 column 2, line 60 - column 4, line 62 ----- -/--	1-5, 9-17,19

Further documents are listed in the continuation of Box C.

See patent family annex.

* Special categories of cited documents:

- *A* document defining the general state of the art which is not considered to be of particular relevance
- *E* earlier document but published on or after the international filing date
- *L* document which may throw doubts on priority claim(s) or which is cited to establish the publication date of another citation or other special reason (as specified)
- *O* document referring to an oral disclosure, use, exhibition or other means
- *P* document published prior to the international filing date but later than the priority date claimed

- *T* later document published after the international filing date or priority date and not in conflict with the application but cited to understand the principle or theory underlying the invention
- *X* document of particular relevance; the claimed invention cannot be considered novel or cannot be considered to involve an inventive step when the document is taken alone
- *Y* document of particular relevance; the claimed invention cannot be considered to involve an inventive step when the document is combined with one or more other such documents, such combination being obvious to a person skilled in the art.
- *&* document member of the same patent family

Date of the actual completion of the international search

31 October 2007

Date of mailing of the international search report

12/11/2007

Name and mailing address of the ISA/

European Patent Office, P.B. 5818 Patentlaan 2
NL - 2280 HV Rijswijk
Tel. (+31-70) 340-2040, Tx. 31 651 epo nl,
Fax: (+31-70) 340-3016

Authorized officer

Przykutta, Andreas

INTERNATIONAL SEARCH REPORT

International application No
PCT/US2007/012036

C(Continuation). DOCUMENTS CONSIDERED TO BE RELEVANT

Category*	Citation of document, with indication, where appropriate, of the relevant passages	Relevant to claim No.
X	WO 2004/043521 A (SPECIALIZED HEALTH PROD INC [US]) 27 May 2004 (2004-05-27) figures 1-7,10,13-18,21-25 page 1, line 15 - line 17 page 7, line 8 - line 21 page 8, line 1 - page 16, line 28 -----	1-5, 9-17,19
A	EP 1 360 970 A (BECTON DICKINSON CO [US]) 12 November 2003 (2003-11-12) paragraphs [0016], [0048] -----	7
A	US 6 749 588 B1 (HOWELL GLADE H [US] ET AL) 15 June 2004 (2004-06-15) column 19, line 10 - column 40, line 50 -----	9

INTERNATIONAL SEARCH REPORT

Information on patent family members

International application No

PCT/US2007/012036

Patent document cited in search report	Publication date	Patent family member(s)	Publication date	
WO 2005053774	A	16-06-2005	AU 2004294938 A1	16-06-2005
			BR PI0416771 A	27-02-2007
			CA 2545208 A1	16-06-2005
			EP 1696979 A1	06-09-2006
			JP 2007512113 T	17-05-2007
US 5697907	A	16-12-1997	US 5601532 A	11-02-1997
WO 2004043521	A	27-05-2004	AU 2003277374 A1	03-06-2004
			BR 0316026 A	13-09-2005
			CA 2505516 A1	27-05-2004
			EP 1562658 A1	17-08-2005
			JP 2006505378 T	16-02-2006
			MX PA05004575 A	26-07-2005
EP 1360970	A	12-11-2003	NONE	
US 6749588	B1	15-06-2004	NONE	