



- (51) International Patent Classification:
H01M 2/10 (2006.01) *H01M 2/02* (2006.01)
- (21) International Application Number:
PCT/US2012/035579
- (22) International Filing Date:
27 April 2012 (27.04.2012)
- (25) Filing Language: English
- (26) Publication Language: English
- (30) Priority Data:
61/480,286 28 April 2011 (28.04.2011) US
61/522,207 10 August 2011 (10.08.2011) US
- (71) Applicant (for all designated States except US): **ZOLL CIRCULATION, INC.** [US/US]; 450 Almanor Avenue, Sunnyvale, California 94085 (US).
- (72) Inventor; and
- (75) Inventor/Applicant (for US only): **PENDRY, Craig** [US/US]; 1196 Park Willow Court, Milpitas, California 95035 (US).
- (74) Agent: **FITZGERALD, John, K.**; Fulwier Patton LLP, 6060 Center Drive, Tenth Floor, Los Angeles, CA 90045 (US).

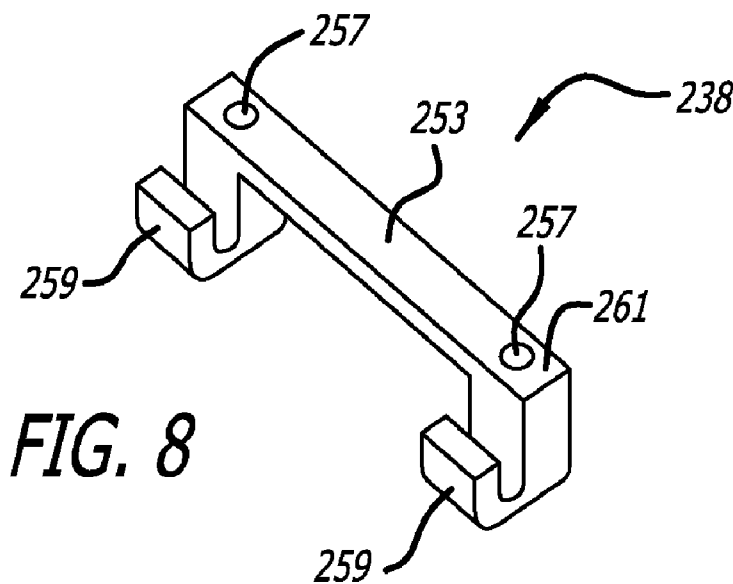
- (81) Designated States (unless otherwise indicated, for every kind of national protection available): AE, AG, AL, AM, AO, AT, AU, AZ, BA, BB, BG, BH, BR, BW, BY, BZ, CA, CH, CL, CN, CO, CR, CU, CZ, DE, DK, DM, DO, DZ, EC, EE, EG, ES, FI, GB, GD, GE, GH, GM, GT, HN, HR, HU, ID, IL, IN, IS, JP, KE, KG, KM, KN, KP, KR, KZ, LA, LC, LK, LR, LS, LT, LU, LY, MA, MD, ME, MG, MK, MN, MW, MX, MY, MZ, NA, NG, NI, NO, NZ, OM, PE, PG, PH, PL, PT, QA, RO, RS, RU, RW, SC, SD, SE, SG, SK, SL, SM, ST, SV, SY, TH, TJ, TM, TN, TR, TT, TZ, UA, UG, US, UZ, VC, VN, ZA, ZM, ZW.
- (84) Designated States (unless otherwise indicated, for every kind of regional protection available): ARIPO (BW, GH, GM, KE, LR, LS, MW, MZ, NA, RW, SD, SL, SZ, TZ, UG, ZM, ZW), Eurasian (AM, AZ, BY, KG, KZ, RU, TJ, TM), European (AL, AT, BE, BG, CH, CY, CZ, DE, DK, EE, ES, FI, FR, GB, GR, HR, HU, IE, IS, IT, LT, LU, LV, MC, MK, MT, NL, NO, PL, PT, RO, RS, SE, SI, SK, SM, TR), OAPI (BF, BJ, CF, CG, CI, CM, GA, GN, GQ, GW, ML, MR, NE, SN, TD, TG).

Published:

- with international search report (Art. 21(3))
- before the expiration of the time limit for amending the claims and to be republished in the event of receipt of amendments (Rule 48.2(h))

[Continued on next page]

(54) Title: LATCH MECHANISM FOR BATTERY RETENTION



(57) Abstract: A latch mechanism for retaining a battery within a battery compartment is described.

WO 2012/149409 A3

— *with information concerning incorporation by reference of missing parts and/or elements (Rule 20.6)* (88) **Date of publication of the international search report:**
17 January 2013

A. CLASSIFICATION OF SUBJECT MATTER***H01M 2/10(2006.01)i, H01M 2/02(2006.01)i***

According to International Patent Classification (IPC) or to both national classification and IPC

B. FIELDS SEARCHED

Minimum documentation searched (classification system followed by classification symbols)

H01M 2/10; H04M 1/00; H01M 10/46; G03B 17/02; G03B 7/26

Documentation searched other than minimum documentation to the extent that such documents are included in the fields searched

Korean utility models and applications for utility models

Japanese utility models and applications for utility models

Electronic data base consulted during the international search (name of data base and, where practicable, search terms used)

eKOMPASS(KIPO internal) & Keywords: battery, latch, spring

C. DOCUMENTS CONSIDERED TO BE RELEVANT

| Category* | Citation of document, with indication, where appropriate, of the relevant passages | Relevant to claim No. |
|-----------|--|-----------------------|
| A | US 05926545 A (WU; CHENG-YI) 20 July 1999 See abstract, column 1. line 66 - column 2. line 31, claims 1-2, and figures 1,2A-B. | 1-6 |
| A | EP 0494505 A2 (PHYSIO-CONTROL CORPORATION) 15 July 1992 See abstract, column 5. lines 8-34, column 6. lines 3-6, column 7. lines 47-52, column 9. line 58 - column 11. line 12, column 12. line 20 - column 13. line 33, claims 1-2, and figures 1-2,4-7. | 1-6 |
| A | US 6806681 B1 (CHEIKY; MICHAEL et al.) 19 October 2004 See abstract, column 6. lines 34-41, column 7. lines 11-15, column 18. lines 5-14, 30-46, claims 1-3, and figures 1-3,7-8. | 1-6 |
| A | US 6730432 B1 (GROSFELD; HENRY et al.) 04 May 2004 See abstract, column 3. lines 4-55, claims 1-5, and figures 1-3. | 1-6 |

 Further documents are listed in the continuation of Box C. See patent family annex.

* Special categories of cited documents:

"A" document defining the general state of the art which is not considered to be of particular relevance

"E" earlier application or patent but published on or after the international filing date

"L" document which may throw doubts on priority claim(s) or which is cited to establish the publication date of citation or other special reason (as specified)

"O" document referring to an oral disclosure, use, exhibition or other means

"P" document published prior to the international filing date but later than the priority date claimed

"T" later document published after the international filing date or priority date and not in conflict with the application but cited to understand the principle or theory underlying the invention

"X" document of particular relevance; the claimed invention cannot be considered novel or cannot be considered to involve an inventive step when the document is taken alone

"Y" document of particular relevance; the claimed invention cannot be considered to involve an inventive step when the document is combined with one or more other such documents, such combination being obvious to a person skilled in the art

"&" document member of the same patent family

Date of the actual completion of the international search

21 NOVEMBER 2012 (21.11.2012)

Date of mailing of the international search report

28 NOVEMBER 2012 (28.11.2012)

Name and mailing address of the ISA/KR

Korean Intellectual Property Office
189 Cheongsu-ro, Seo-gu, Daejeon Metropolitan
City, 302-701, Republic of Korea

Facsimile No. 82-42-472-7140

Authorized officer

NAM, Jeong Kil

Telephone No. 82-42-481-5675



INTERNATIONAL SEARCH REPORT

Information on patent family members

International application No.

PCT/US2012/035579

| Patent document cited in search report | Publication date | Patent family member(s) | Publication date |
|--|------------------|--|--|
| US 05926545A A | 20.07.1999 | None | |
| EP 0494505 A2 | 15.07.1992 | AU 8837091 A CA 2057164 A1 EP 0494505 A3 JP 04-308652 A US 05224870A A US 05350317A A | 23.07.1992 12.07.1992 23.06.1993 30.10.1992 06.07.1993 27.09.1994 |
| US 6806681 B1 | 19.10.2004 | None | |
| US 6730432 B1 | 04.05.2004 | None | |