



US00D747477S

(12) **United States Design Patent**
Freigang et al.

(10) **Patent No.:** **US D747,477 S**

(45) **Date of Patent:** **** Jan. 12, 2016**

(54) **HANDLE FOR A TUNNELER**

(71) Applicant: **B. Braun Melsungen AG**, Melsungen (DE)

(72) Inventors: **Helmut Freigang**, Koerle (DE); **Thilo Hogrebe**, Hamburg (DE); **Fred Held**, Hamburg (DE)

(73) Assignee: **B. Braun Melsungen AG**, Melsungen (DE)

(**) Term: **14 Years**

(21) Appl. No.: **29/497,829**

(22) Filed: **Jul. 29, 2014**

(30) **Foreign Application Priority Data**

Jan. 29, 2014 (EM) 001401434-0002

(51) **LOC (10) Cl.** **24-02**

(52) **U.S. Cl.**
USPC **D24/133**

(58) **Field of Classification Search**
USPC D24/133, 108, 144, 146, 147, 145;
D8/40, 82, 303, 80, 83, 107, 300;
606/40, 41, 46, 45, 167, 147
CPC A61B 17/32; A61B 17/320016; A61B
17/3415; A61M 25/0194

See application file for complete search history.

(56) **References Cited**

U.S. PATENT DOCUMENTS

| | | | |
|-------------------|---------|-----------------------|--------------------------|
| D483,475 S * | 12/2003 | Kirwan | D24/108 |
| D629,098 S * | 12/2010 | Sonleiter | D24/133 |
| D674,489 S * | 1/2013 | McCormack et al. | D24/133 |
| D692,134 S * | 10/2013 | Lee-Sepsick | D24/146 |
| D736,923 S * | 8/2015 | Snow | D24/146 |
| 2005/0027282 A1 * | 2/2005 | Schweikert | A61B 17/3415 604/523 |
| 2012/0043347 A1 * | 2/2012 | Meron et al. | A61B 17/00491 222/137 |
| 2014/0188148 A1 * | 7/2014 | le Blanc | A61B 17/32 606/181 |

* cited by examiner

Primary Examiner — Wan Laymon

Assistant Examiner — Mark Booker

(74) *Attorney, Agent, or Firm* — Harris Beach PLLC

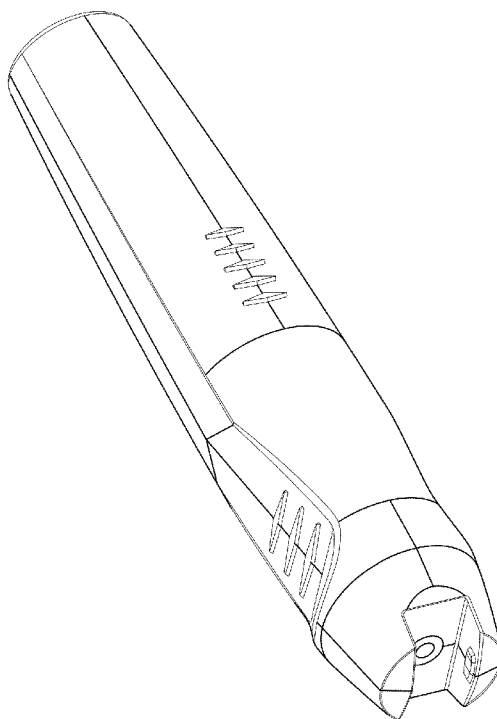
(57) **CLAIM**

The ornamental design for a handle for a tunneler, as shown and described.

DESCRIPTION

FIG. 1 is a perspective view of a handle for a tunneler, illustrating our new design;
FIG. 2 is an enlarged front elevation view thereof;
FIG. 3 is an enlarged rear elevation view thereof;
FIG. 4 is a top elevation view thereof;
FIG. 5 is a bottom elevation view thereof;
FIG. 6 is a left end elevation view thereof; and,
FIG. 7 is a right end elevation view thereof.

1 Claim, 7 Drawing Sheets



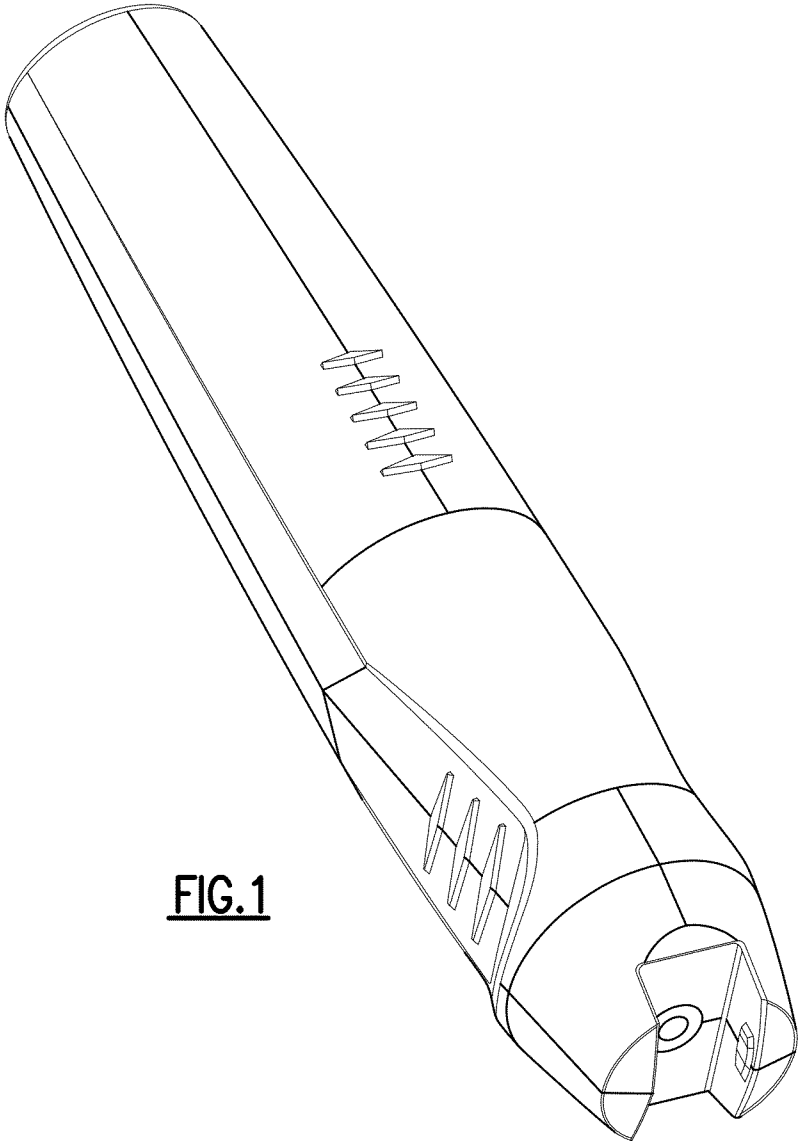


FIG.1

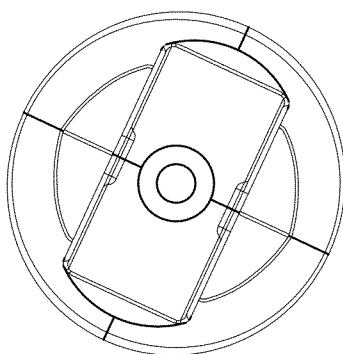


FIG. 2

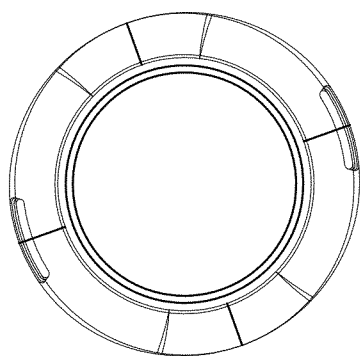


FIG.3

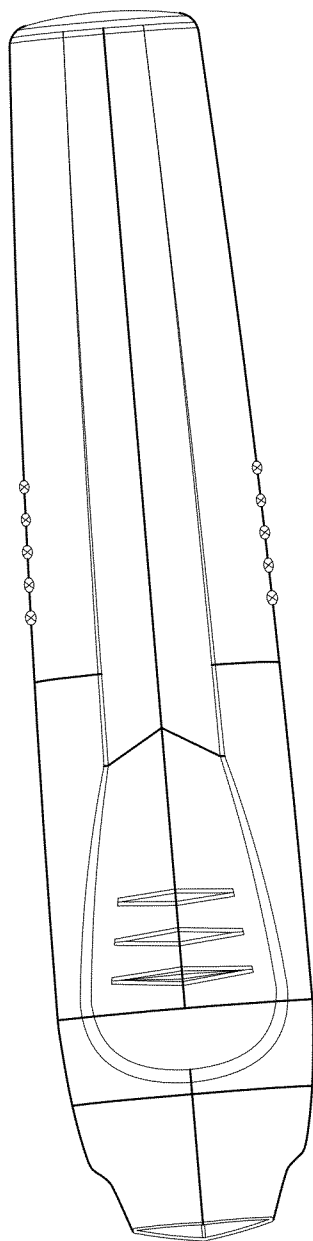


FIG. 4

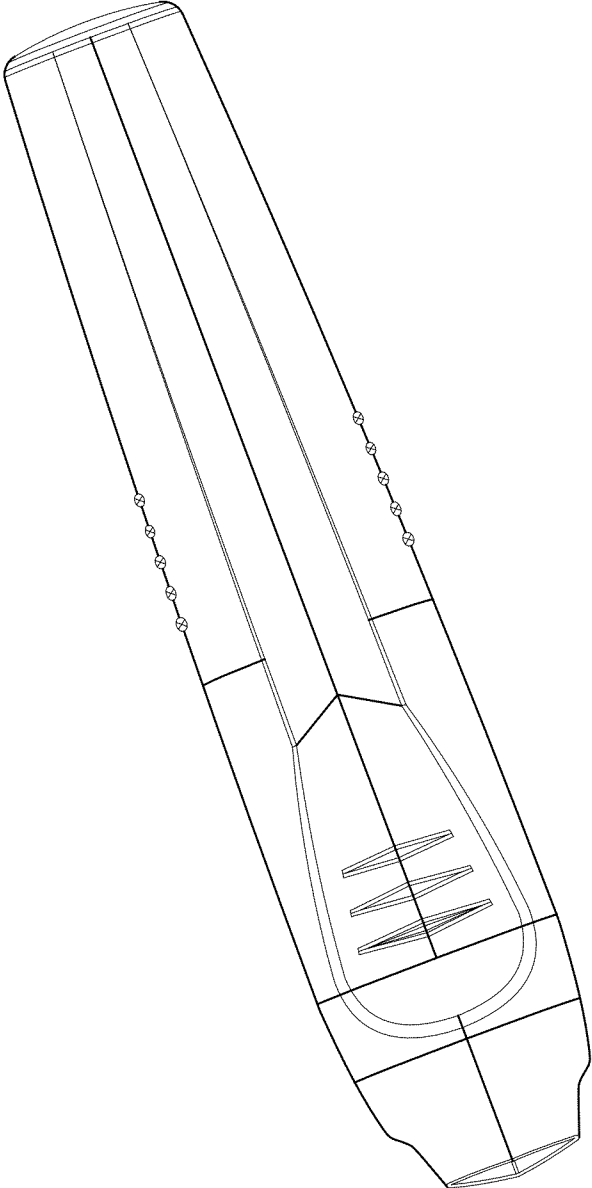


FIG.5

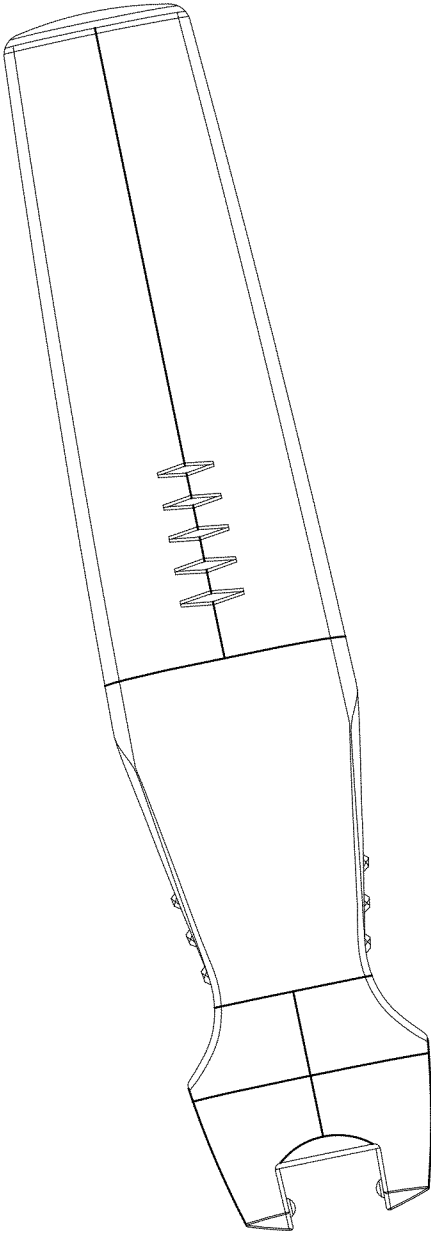


FIG.6

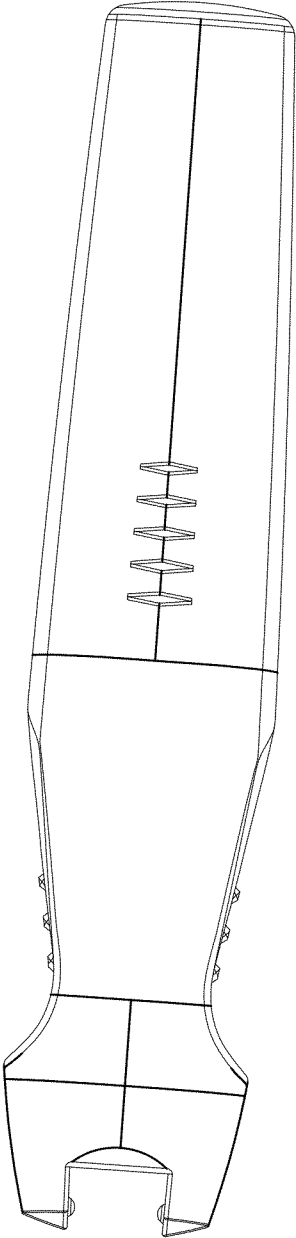


FIG.7