



(12) **DEMANDE DE BREVET CANADIEN
CANADIAN PATENT APPLICATION**

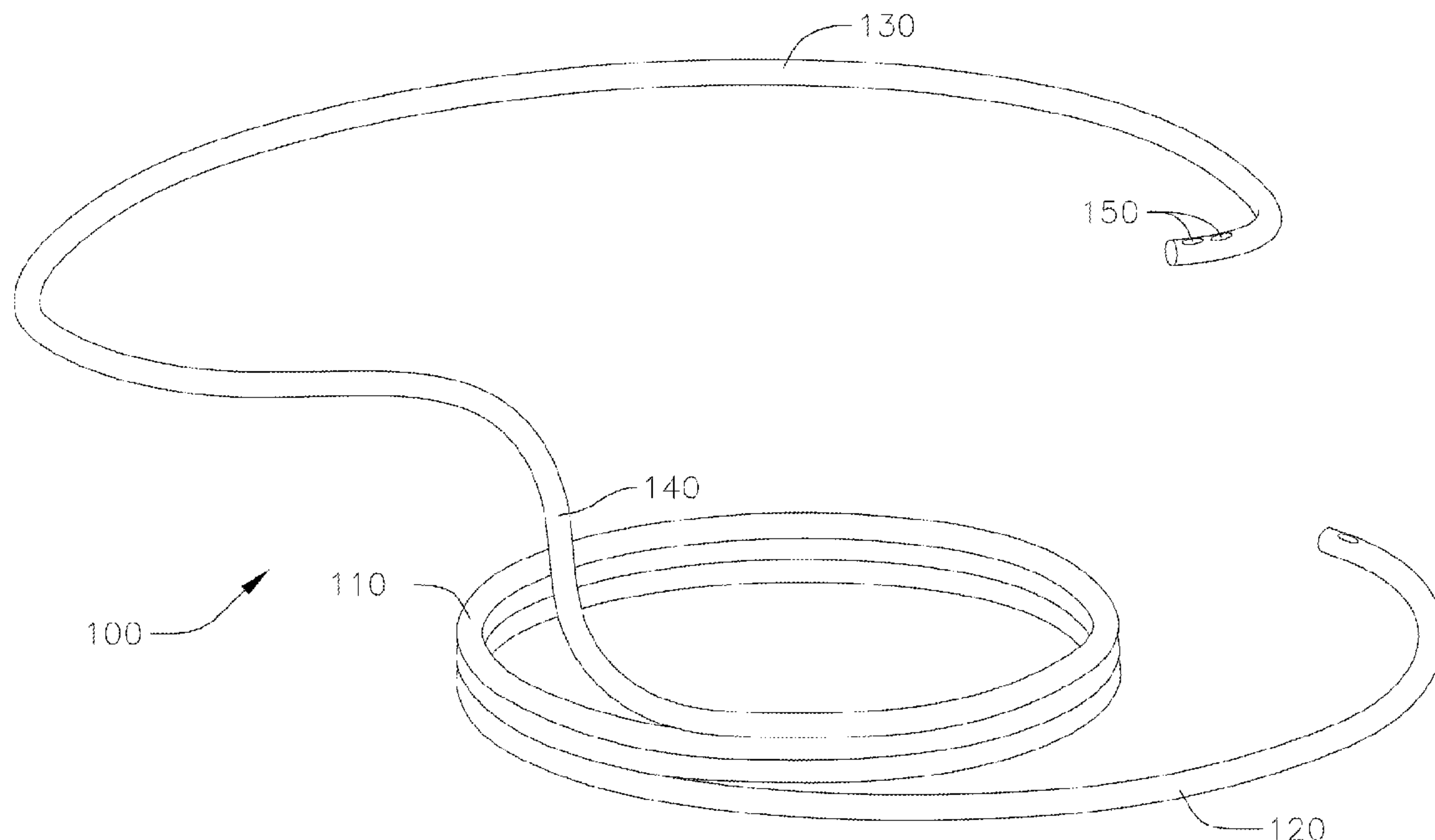
(13) **A1**

(86) Date de dépôt PCT/PCT Filing Date: 2017/08/25
(87) Date publication PCT/PCT Publication Date: 2018/03/01
(85) Entrée phase nationale/National Entry: 2019/02/22
(86) N° demande PCT/PCT Application No.: US 2017/048659
(87) N° publication PCT/PCT Publication No.: 2018/039589
(30) Priorités/Priorities: 2016/08/26 (US62/380,117);
2016/09/16 (US62/395,940); 2017/08/21 (US15/682,287);
2017/08/23 (US15/684,836)

(51) Cl.Int./Int.Cl. *A61F 2/24* (2006.01),
A61B 17/00 (2006.01)
(71) Demandeur/Applicant:
EDWARDS LIFESCIENCES CORPORATION, US
(72) Inventeurs/Inventors:
PATEL, DARSHIN S., US;
MANASH, BOAZ, US;
PERLMUTTER, KHEN, US;
LEIBA, EYAL, US;
ROZEN, YOAV, US;
SIRIMANNE, DINESH L., US;
AXELROD, NOA, US;
KIBLITSKI, ZOHAR, IL
(74) Agent: NORTON ROSE FULBRIGHT CANADA

(54) Titre : STRUCTURES SPIRALEES ET SYSTEMES D'AMARRAGE DE VALVULE CARDIAQUE
(54) Title: HEART VALVE DOCKING COILS AND SYSTEMS

FIG. 10



(57) **Abrégé/Abstract:**

Anchoring or docking devices configured to be positioned at a native valve of a human heart and to provide structural support for docking a prosthetic valve therein. The docking devices can have coiled structures that define an inner space in which the prosthetic valve can be held. The docking devices can have enlarged end regions with circular or non-circular shapes, for example, to facilitate implantation of the docking device or to better hold the docking device in position once deployed. The docking devices can be laser-cut tubes with locking wires to assist in better maintaining a shape of the docking device. The docking devices can include various features to promote friction, such as frictional cover layers. Such docking devices can have ends configured to more securely attach the cover layers to cores of the docking devices.

(74) Agent(suite/continued): LLP/S.E.N.C.R.L., S.R.L.

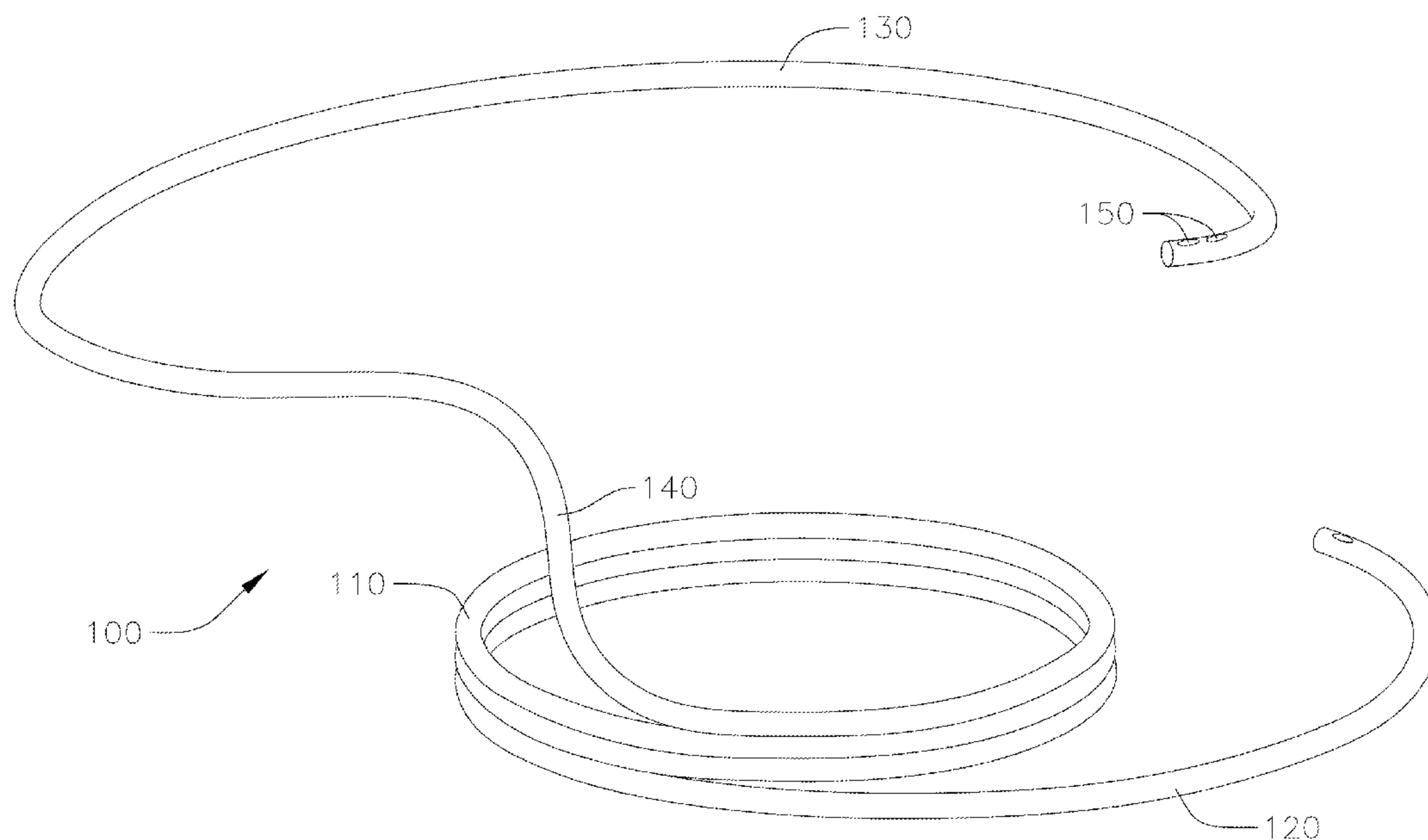
(12) INTERNATIONAL APPLICATION PUBLISHED UNDER THE PATENT COOPERATION TREATY (PCT)

(19) World Intellectual Property
Organization
International Bureau(43) International Publication Date
01 March 2018 (01.03.2018)(10) International Publication Number
WO 2018/039589 A1

- (51) **International Patent Classification:**
A61F 2/24 (2006.01) *A61B 17/00* (2006.01)
- (21) **International Application Number:**
PCT/US2017/048659
- (22) **International Filing Date:**
25 August 2017 (25.08.2017)
- (25) **Filing Language:** English
- (26) **Publication Language:** English
- (30) **Priority Data:**
- | | | |
|------------|--------------------------------|----|
| 62/380,117 | 26 August 2016 (26.08.2016) | US |
| 62/395,940 | 16 September 2016 (16.09.2016) | US |
| 15/682,287 | 21 August 2017 (21.08.2017) | US |
| 15/684,836 | 23 August 2017 (23.08.2017) | US |
- (71) **Applicant:** EDWARDS LIFESCIENCES CORPORATION [US/US]; One Edwards Way, Irvine, CA 92614 (US).
- (72) **Inventors:** PATEL, Darshin, S.; Edwards Lifesciences, One Edwards Way, Legal Department, Irvine, CA 92614 (US). MANASH, Boaz; Edwards Lifesciences, One Edwards Way, Legal Department, Irvine, CA 92614 (US). PERLMUTTER, Khen; Edwards Lifesciences, One Edwards Way, Legal Department, Irvine, CA 92614 (US). LEIBA, Eyal; Edwards Lifesciences, One Edwards Way, Legal Department, Irvine, CA 92614 (US). ROZEN, Yoav; Edwards Lifesciences, One Edwards Way, Legal Department, Irvine, CA 92614 (US). SIRIMANNE, Dinesh, L.; Edwards Lifesciences, One Edwards Way, Legal Department, Irvine, CA 92614 (US).
- (74) **Agent:** RICHARDSON, Thomas, C. et al.; Edwards Lifesciences, One Edwards Way, Irvine, CA 92614 (US).

(54) **Title:** HEART VALVE DOCKING COILS AND SYSTEMS

FIG. 10



(57) **Abstract:** Anchoring or docking devices configured to be positioned at a native valve of a human heart and to provide structural support for docking a prosthetic valve therein. The docking devices can have coiled structures that define an inner space in which the prosthetic valve can be held. The docking devices can have enlarged end regions with circular or non-circular shapes, for example, to facilitate implantation of the docking device or to better hold the docking device in position once deployed. The docking devices can be laser-cut tubes with locking wires to assist in better maintaining a shape of the docking device. The docking devices can include various features to promote friction, such as frictional cover layers. Such docking devices can have ends configured to more securely attach the cover layers to cores of the docking devices.

[Continued on next page]

WO 2018/039589 A1 

(81) Designated States (*unless otherwise indicated, for every kind of national protection available*): AE, AG, AL, AM, AO, AT, AU, AZ, BA, BB, BG, BH, BN, BR, BW, BY, BZ, CA, CH, CL, CN, CO, CR, CU, CZ, DE, DJ, DK, DM, DO, DZ, EC, EE, EG, ES, FI, GB, GD, GE, GH, GM, GT, HN, HR, HU, ID, IL, IN, IR, IS, JO, JP, KE, KG, KH, KN, KP, KR, KW, KZ, LA, LC, LK, LR, LS, LU, LY, MA, MD, ME, MG, MK, MN, MW, MX, MY, MZ, NA, NG, NI, NO, NZ, OM, PA, PE, PG, PH, PL, PT, QA, RO, RS, RU, RW, SA, SC, SD, SE, SG, SK, SL, SM, ST, SV, SY, TH, TJ, TM, TN, TR, TT, TZ, UA, UG, US, UZ, VC, VN, ZA, ZM, ZW.

(84) Designated States (*unless otherwise indicated, for every kind of regional protection available*): ARIPO (BW, GH, GM, KE, LR, LS, MW, MZ, NA, RW, SD, SL, ST, SZ, TZ, UG, ZM, ZW), Eurasian (AM, AZ, BY, KG, KZ, RU, TJ, TM), European (AL, AT, BE, BG, CH, CY, CZ, DE, DK, EE, ES, FI, FR, GB, GR, HR, HU, IE, IS, IT, LT, LU, LV, MC, MK, MT, NL, NO, PL, PT, RO, RS, SE, SI, SK, SM, TR), OAPI (BF, BJ, CF, CG, CI, CM, GA, GN, GQ, GW, KM, ML, MR, NE, SN, TD, TG).

Published:

- *with international search report (Art. 21(3))*
- *before the expiration of the time limit for amending the claims and to be republished in the event of receipt of amendments (Rule 48.2(h))*

- 1 -

HEART VALVE DOCKING COILS AND SYSTEMS

FIELD OF THE INVENTION

[0001] The invention generally relates to medical devices and procedures pertaining to prosthetic heart valves. More specifically, the invention relates to replacement of heart valves that may have malformations and/or dysfunctions. Embodiments of the invention relate to an anchor or docking device that can hold and maintain a positioning of a prosthetic heart valve for replacing the function of a native heart valve, for example, for a mitral or tricuspid valve replacement procedure, as well as deployment procedures associated with the implantation of such an anchor or docking device and/or of an assembly including the anchor or docking device and a prosthetic heart valve.

RELATED APPLICATIONS

[0002] This application claims priority to U.S. Provisional Patent Application Serial No. 62/395940, filed on September 16, 2016. This application also claims priority to U.S. Provisional Patent Application Serial No. 62/380117, filed on August 26, 2016. These two applications as well as U.S. Patent Application No. 14/372953, entitled “Mitral Valve Docking Devices, Systems, and Methods,” filed on July 17, 2014 are all incorporated herein by reference in their entireties.

BACKGROUND

[0003] Referring first to Figs. 1 and 2, the mitral valve 50 controls the flow of blood between the left atrium 52 and the left ventricle 54 of the human heart. After the left atrium 52 receives oxygenated blood from the lungs via the pulmonary veins, the mitral valve 50 permits the flow of the oxygenated blood from the left atrium 52 into the left ventricle 54. When the left ventricle 54 contracts, the oxygenated blood that was held in the left ventricle 54 is delivered through the aortic valve 56 and the aorta 58 to the rest of

- 2 -

the body. Meanwhile, the mitral valve should close during ventricular contraction to prevent any blood from flowing back into the left atrium.

[0004] When the left ventricle contracts, the blood pressure in the left ventricle increases substantially, which serves to urge the mitral valve closed. Due to the large pressure differential between the left ventricle and the left atrium during this time, a large amount of pressure is placed on the mitral valve, leading to a possibility of prolapse, or eversion of the leaflets of the mitral valve back into the atrium. A series of chordae tendineae 62 therefore connect the leaflets of the mitral valve to papillary muscles located on the walls of the left ventricle, where both the chordae tendineae and the papillary muscles are tensioned during ventricular contraction to hold the leaflets in the closed position and to prevent them from extending back towards the left atrium. This helps prevent backflow of oxygenated blood back into the left atrium. The chordae tendineae 62 are schematically illustrated in both the heart cross-section of Fig. 1 and the top view of the mitral valve of Fig. 2.

[0005] A general shape of the mitral valve and its leaflets as viewed from the left atrium is shown in Fig. 2. Commissures 64 are located at the ends of the mitral valve 50 where the anterior leaflet 66 and the posterior leaflet 68 come together. Various complications of the mitral valve can potentially cause fatal heart failure. One form of valvular heart disease is mitral valve leak or mitral regurgitation, characterized by abnormal leaking of blood from the left ventricle through the mitral valve back into the left atrium. This can be caused, for example, by dilation of the left ventricle causing the native mitral leaflets to not coapt completely, resulting in a leak, by damage to the native leaflets, or weakening of (or damage to) the chordae tendineae and/or papillary muscles. In these circumstances, it may be desirable to repair the mitral valve or to replace the functionality of the mitral valve with that of a prosthetic heart valve.

- 3 -

[0006] With respect to valve replacement, while open surgical procedure options are more readily available, there has been much less development in terms of commercially available ways to replace a mitral valve through catheter implantation and/or other minimal or less invasive procedures. Replacement of a mitral valve is more difficult than aortic valve replacement in many respects, for example, due to the non-circular physical structure of the mitral valve, its sub-annular anatomy, and more difficult access to the valve.

[0007] It could be beneficial to use prosthetic aortic valves or similar circular or cylindrical valve prostheses for mitral valve replacements. However, one of the most prominent obstacles for mitral valve replacement is effective anchoring or retention of the valve at the mitral position, due to the valve being subject to a large cyclic load. As noted above, another issue with mitral valve replacement is the size and shape of the native mitral annulus, as can be seen in Fig. 2. Aortic valves are more circular or cylindrical in shape than mitral valves. Also, the mitral and tricuspid valves are both larger than the aortic valve, and more elongate in shape, making them more difficult and unconventional sites for implanting a replacement valve with a generally circular or cylindrical valve frame. A circular prosthetic valve that is too small can result in leaking around the implant (i.e., paravalvular leakage) if a good seal is not established around the valve, while a circular prosthetic valve that is too large can stretch out and damage the narrower parts of the native mitral annulus. Further, in many cases, the need for aortic valve replacement arises due, for example, to aortic valve stenosis, where the aortic valve narrows due to calcification or other hardening of the native leaflets. Therefore, the aortic annulus generally forms a more compact, rigid, and stable anchoring site for a prosthetic valve than the mitral annulus, which is both larger than the aortic annulus and non-circular. Instances of mitral valve regurgitation are unlikely to provide such a good anchoring site. Also, the presence of the chordae tendineae and other anatomy at the

- 4 -

mitral position can form obstructions that make it much more challenging to adequately anchor a device at the mitral position.

[0008] Other obstacles to effective mitral valve replacement can stem from the large cyclic loads the mitral valve undergoes and the need to establish a sufficiently strong and stable anchoring and retention. Also, even a slight shift in the alignment of the valve can still lead to blood flow through the valve or other parts of the heart being obstructed or otherwise negatively impacted.

SUMMARY

[0009] One way to apply existing circular or cylindrical transcatheter valve technology to non-circular valve replacement (e.g., mitral valve replacement, tricuspid valve replacement, etc.) would be to use an anchor (e.g., a mitral anchor) or docking station that forms or otherwise provides a more circular docking site at the native valve position (e.g., mitral valve position) to hold such prosthetic valves. In this manner, existing expandable transcatheter valves developed for the aortic position, or similar valves that have been slightly modified to more effectively replicate mitral valve function, could be more securely implanted in such docking stations positioned at the native valve annulus (e.g., native mitral annulus). The docking station can first be positioned at the native valve annulus, and thereafter, the valve implant or transcatheter heart valve can be advanced and positioned through the docking station while in a collapsed position, and can then be expanded, for example, via self-expansion (e.g., in the case of valves that are constructed with NiTi or another shape memory material), balloon expansion, or mechanical expansion, so that the frame of the prosthetic valve pushes radially against the docking station and/or tissue between the two to hold the valve in place. Preferably, the docking station can also be delivered minimally or less invasively, for example, via the same or similar transcatheter approaches as used for

- 5 -

delivery of a transcatheter heart valve, so that a completely separate procedure is not needed to implant the docking station prior to delivery of the prosthetic valve.

[0010] It would therefore be desirable to provide devices and methods that can be utilized to facilitate the docking or anchoring of such valves. Embodiments of the invention provide a stable docking station or docking device for retaining a prosthetic valve (e.g., a prosthetic mitral valve). Other features are provided to improve the deployment, positioning, stability, and/or integration of such docking stations and/or replacement prostheses intended to be held therein. These devices and methods will more securely hold prosthetic valves, and can also prevent or greatly reduce regurgitation or leaking of blood around the prosthetic valves. Such docking devices and methods can be used for various valve replacement procedures, for example, for mitral, tricuspid, pulmonary, or aortic valve replacements, to provide more secure and robust anchoring and holding of valve implants at the native annuluses at those positions.

[0011] Docking devices for docking a prosthetic valve at a native valve (e.g., mitral valve, tricuspid valve, etc.) of a heart can include various features, components, and characteristics. For example, such docking devices can include a coiled anchor that has at least one central turn (e.g., a full rotation or partial-rotation central turn) defining a central turn diameter. The at least one central turn can be one or more functional turns/coils. The coiled anchor can also include a lower turn extending from the at least one central turn defining a diameter that is greater than the central turn diameter. The lower turn can be a leading turn/coil. The coiled anchor can also include an upper turn connected to the central turn. The upper turn can be one or more stabilizing turns/coils. The upper turn can be shaped to have a first diameter along a first axis and a second diameter along a second axis. The first axis diameter of the upper turn can be greater than the central turn diameter, and the second axis diameter can be greater than the central turn diameter and less than the lower turn diameter. The various coiled anchors

- 6 -

described herein can be configured to be implanted at the native valve (e.g., native mitral valve, tricuspid valve, etc.) with at least a portion of the at least one central turn of the coiled anchor positioned in a chamber (e.g., a left ventricle) of the heart and around valve leaflets of the native valve.

[0012] Any of the coiled anchors described herein can also include an extension having a length extending from an upper end of the at least one central turn to an upper turn/coil or stabilization turn/coil. The extension can have a smaller or reduced thickness compared to other parts of the coiled anchor, e.g., the at least one central turn, upper turn, lower turn, etc. The extension can extend vertically at an angle between 60-120 degrees, 70-110 degrees, 80-100 degrees, 90 degrees relative to the at least one central turn.

[0013] The various docking devices for docking a prosthetic valve at a native valve of a heart can have a coiled anchor (e.g., which can be the same as or similar to other coiled anchors described in this disclosure) that has a proximal tip and a distal tip. The coiled anchor can include at least one central turn (e.g., a full or partial central turn, which can be the same as or similar to other central or functional turns described in this disclosure). The at least one central turn can have a first thickness and define a central turn diameter. Any of the coiled anchors described herein can also include an extension having a length extending from an upper end of the at least one central turn. The coiled anchor can also include an upper turn (e.g., which can be the same as or similar to other upper turns or stabilizing turns/coils described in this disclosure) extending from an upper end of the extension. The extension can have a second thickness that is less than the first thickness. The upper turn can have a third thickness that is greater than the second thickness. As discussed above, the coiled anchor can be configured to be implanted at the native valve (e.g., native mitral valve, tricuspid valve, etc.) with at least a portion of the at least one full or partial central turn of the coiled anchor positioned in a chamber

- 7 -

(e.g., left ventricle) of the heart and around valve leaflets (e.g., mitral valve leaflets) of the native heart valve.

[0014] The various docking devices for docking a prosthetic valve at a native valve of a heart can also have a coiled anchor (e.g., which can be the same as or similar to other coiled anchors described in this disclosure) that has a proximal tip and a distal tip and at least one central turn (e.g., a full or partial central turn, which can be the same as or similar to other central turns/coils or functional turns/coils described in this disclosure) that defines a diameter. The coiled anchor can also have an upper turn that is connected to the at least one central turn. A cover layer can surround the coiled anchor along all or at least a part of the at least one central turn. The cover layer can be connected to the coiled anchor. At least one friction enhancing layer can be disposed over the coiled anchor and/or the cover layer. The at least one friction enhancing layer can be disposed over at least a portion of the at least one central turn. The coiled anchor can be configured such that no portion of the upper turn is covered by the friction enhancing layer. The coiled anchor can also be configured to be implantable at a native valve (e.g., a native mitral valve, etc.) with at least a portion of the at least one central turn of the coiled anchor positioned in a chamber (e.g., left ventricle) of the heart and around valve leaflets of the native valve.

[0015] Any of the coiled anchors of any of the docking devices described herein can include one or more cover layers that surround all or at least part of the coiled anchor or a core of the coiled anchor. For example, a cover layer can surround all or at least part of the at least one central turn (or all of the central turn(s)/coil(s) or functional turn(s)/coil(s) of the coiled anchor) and/or other parts of the coiled anchor. The cover layer can be connected to the coiled anchor in various ways. The cover layer can be a high friction cover layer, a low friction cover layer, or both a low friction cover layer and a high friction cover layer used together. The low friction cover layer can be configured

- 8 -

to surround a core of the coiled anchor (e.g., the full length of the coiled anchor) and extend past the proximal tip and/or distal tip. The low friction cover layer can form a tapered or rounded tip at its distal end and/or at its proximal end. A high friction cover layer or higher friction cover layer (e.g., higher than the low friction cover layer) can surround a portion of the low friction cover layer and/or a portion of the coiled anchor (e.g., all or a part of the at least one central turn).

[0016] Any of the coiled anchors described herein can include at least one friction enhancing element or multiple friction enhancing elements. The at least one friction enhancing element or friction enhancing elements can be positioned over all or a portion of the coiled anchor or a covering/layer on the coiled anchor. The at least one friction enhancing element can be or include a plurality of bulges on the surface of the coiled anchor or on the surface of the covering. The bulges can be made of PET, polymer, fabric, or another material. The bulges can extend along a length of the coiled anchor or the covering along at least a part of the central turn(s)/coil(s).

Optionally, the at least one friction enhancing element can be or include a plurality of lock and key cutouts in an outer surface of the coiled anchor. The lock cutouts can be grooves formed in the outer surface of the coiled anchor, and the key cutouts can be protrusions extending outward from the coiled anchor, which can be sized and shaped to fit into the lock cutouts.

[0017] Systems for implanting a docking device at a native valve of a heart can include a docking device (e.g., any docking device described above or elsewhere in this disclosure). The docking device can include an opening or bore, and the system can include a suture threaded through the opening or bore. The system can also include a delivery catheter, and a pusher device disposed in the delivery catheter. The pusher device can include a central lumen that accepts the suture or through which the suture passes. The pusher device and suture can be arranged such that pulling the suture pulls

- 9 -

the coiled anchor against the pusher device, and retracting the pusher device into the delivery catheter retracts the coiled anchor into the delivery catheter. The suture can be disposed in the central lumen such that pulling the suture and/or the pusher device proximally relative to the delivery catheter retracts the coiled anchor or delivery device into the delivery catheter.

[0018] A docking device for docking a prosthetic valve at a native valve of a heart can have a coiled anchor that includes a hollow tube. The hollow tube can have a proximal lock feature and a distal lock feature. There can be a plurality of cuts through a portion of the tube. The cuts can have a pattern and shape that incorporates one or both of longitudinal and transverse cuts. Where the cuts have a pattern and shape that incorporate both longitudinal and transverse cuts, these can form teeth and grooves in the hollow tube. The docking device can also have a wire, and the distal end of the wire can be secured to the distal lock feature. A length of the wire (e.g., the full length or a portion thereof) can extend through the hollow tube and apply a radially inward tension on the hollow tube. The hollow tube is configured to at least partially encircle leaflets of a native mitral valve and provide a docking surface for an expandable prosthetic valve.

[0019] Methods used to implant a docking device for a prosthetic valve at a native heart valve can include a variety of steps (e.g., any of the steps described throughout this disclosure). The docking device implanted with these methods can be any of the docking devices described herein. For example, a docking device implantable with these steps can have a coiled anchor having at least one full or partial turn defining a central diameter, an extension having a length extending from an upper end of the at least one central turn, and an upper turn extending from an upper end of the extension. A distal end of a delivery catheter can be positioned into a first chamber (e.g., a left atrium) of a heart. Optionally, the delivery catheter can be advanced and positioned through a guide sheath previously implanted. The delivery catheter can contain the docking device in a

- 10 -

first configuration. A distal end of a docking device can be advanced from the delivery catheter so that the docking device adopts a second configuration as it is advanced and/or when it is implanted. The docking device is advanced through a valve annulus (e.g., a native mitral valve annulus) and into a second chamber of the heart (e.g., the left ventricle) such that a distal tip loosely encircles any chordae and native leaflets of the native valve (e.g., of a mitral valve). The extension of the docking device can be advanced such that its upper end is positioned in the first chamber (e.g., the left atrium). The upper portion of the docking device can be advanced into the first chamber (e.g., the left atrium) and released, such that the upper portion is in contact with the first chamber wall (e.g., the left atrium wall). A replacement prosthetic valve can be implanted in the docking device. For example, a replacement valve can be inserted in an inner space defined by the docking device in the second configuration. The replacement valve can be radially expanded until there is a retention force between the replacement valve and the docking device to hold the replacement valve in a stable position. Native leaflets or other tissue can be clamped between the delivery device and the prosthetic valve.

[0020] Valve replacement can be realized through the use of a coiled anchor or docking device at the native valve site for docking an expandable transcatheter heart valve therein. The coiled anchors or docking devices provide a more stable base or site against which the prosthetic valves can be expanded. Embodiments of the invention thus provide a more robust way to implant a replacement heart valve, even at sites such as a native mitral annulus, where the annulus itself may be non-circular or otherwise variably shaped.

BRIEF DESCRIPTION OF THE DRAWINGS

[0021] Further features and advantages of the invention will become apparent from the description of embodiments using the accompanying drawings. In the drawings:

- 11 -

- [0022] Fig. 1 shows a schematic cross-sectional view of a human heart;
- [0023] Fig. 2 shows a schematic top view of a mitral valve annulus of a heart;
- [0024] Fig. 3 shows a perspective view of a coil anchor according to a first embodiment of the invention;
- [0025] Fig. 4 shows a side view of the coil anchor of Fig. 3;
- [0026] Fig. 5 shows a top view of the coil anchor of Figs. 3 and 4;
- [0027] Fig. 6 shows a cross-sectional view of a portion of a heart during a step of delivering the coil anchor of Figs. 3 to 5 to the native mitral annulus;
- [0028] Fig. 7 shows a cross-sectional view of a portion of a heart during a further step of delivering the coil anchor of Figs. 3 to 5 to the native mitral annulus;
- [0029] Fig. 8 shows a cross-sectional view of a portion of a heart with the coil anchor of Figs. 3 to 5 positioned at the native mitral annulus;
- [0030] Fig. 9 shows a cross-sectional view of a portion of a heart with the coil anchor of Figs. 3 to 5 and a prosthetic mitral valve implanted at the native mitral annulus;
- [0031] Fig. 10 shows a perspective view of a modified version of the coil anchor of Figs. 3 to 5;
- [0032] Fig. 11 schematically shows an open view of a laser-cut tube to be used as a coil anchor according to an embodiment of the invention;
- [0033] Fig. 11A schematically shows an open view of a laser-cut tube to be used as a coil anchor and a tensioning wire according to an embodiment of the invention;
- [0034] Fig. 12 shows a top view of the laser-cut coil anchor of Fig. 11 in an assembled state;
- [0035] Fig. 13 shows a perspective view of the laser-cut coil anchor of Fig. 11 in an assembled and actuated state, and with the frame of a prosthetic valve held therein;
- [0036] Fig. 14 shows a top view of a modified coil anchor with end hooks;

- 12 -

[0037] Fig. 15 shows a schematic view of another modified coil anchor with a high friction cover layer;

[0038] Fig. 16 shows a schematic view of yet another modified coil anchor with friction elements;

[0039] Fig. 16A shows a cross-section view of the embodiment shown in Fig. 16;

[0040] Fig. 17 shows a schematic view of a coil anchor incorporating both a high friction covering and friction elements;

[0041] Fig. 18 shows still another modified coil anchor with surface features to facilitate interlocking or position retention between adjacent coils;

[0042] Fig. 19 shows an exemplary coil anchor that is a variation of the coil anchor of Fig. 10;

[0043] Fig. 19A shows a cross-section view of an embodiment of the coil anchor;

[0044] Fig. 20 schematically shows a top view of an embodiment of a coil anchor implanted and arranged at a desired position at the native mitral annulus;

[0045] Fig. 21 shows the coil anchor of Fig. 19 further including marker bands;

[0046] Fig. 22 shows a cross-section of a proximal end of the coil anchor of Fig. 19;

[0047] Fig. 22A shows an embodiment of a suture looped through a coiled anchor;

[0048] Fig. 22B shows another embodiment of a suture looped through a coiled anchor;

[0049] Fig. 22C shows an embodiment of a suture looped through a coiled anchor;

[0050] Fig. 23 shows a distal end of a coil skeleton or core of a docking device according to an embodiment of the invention;

[0051] Fig. 24 shows a distal end of a coil skeleton or core of a docking device according to another embodiment of the invention;

[0052] Fig. 25 shows a proximal end of a coil skeleton or core of a docking device according to an embodiment of the invention; and

- 13 -

[0053] Fig. 26 shows a proximal end of the docking device of Fig. 25, with a cover layer attached over the coil skeleton or core.

DETAILED DESCRIPTION

[0054] Disclosed herein are various coiled anchoring or docking devices, which can be used in conjunction with expandable transcatheter heart valves (THV) at a native valve annulus (e.g., mitral or tricuspid valve annulus), in order to more securely implant and hold the prosthetic valve at the implant site. Anchoring/docking devices according to embodiments of the invention provide or form a more circular and/or stable annulus at the implant site, in which prosthetic valves having circular or cylindrically-shaped valve frames or stents can be expanded or otherwise implanted. In addition to providing an anchoring site for the prosthetic valve, the anchoring/docking devices can be sized and shaped to cinch or draw the native valve (e.g., mitral, tricuspid, etc.) anatomy radially inwards. In this manner, one of the main causes of valve regurgitation (e.g., functional mitral regurgitation), specifically enlargement of the heart (e.g., left ventricle) and/or valve annulus, and consequent stretching out of the native valve (e.g., mitral) annulus, can be at least partially offset or counteracted. Some embodiments of the anchoring or docking devices further include features which, for example, are shaped and/or modified to better hold a position or shape of the docking device during and/or after expansion of a prosthetic valve therein. By providing such anchoring or docking devices, replacement valves can be more securely implanted and held at various valve annuluses, including at the mitral annulus which does not have a naturally circular cross-section.

[0055] A coil-shaped anchor/docking device according to an exemplary embodiment of the invention is shown in Figs. 3 to 5. Fig. 3 shows a perspective view of the anchor or docking device 1, Fig. 4 shows a side view of the anchor/docking device 1, and Fig. 5 shows a top view of the anchor/docking device 1.

- 14 -

[0056] The docking device 1 includes a coil with a plurality of turns extending along a central axis of the docking device 1. The coil can be continuous and can extend generally helically, with various differently sized and shaped sections, as described in greater detail below. The docking device 1 shown in Figs. 3 to 5 is configured to best fit at the mitral position, but can be shaped similarly or differently in other embodiments for better accommodation at other native valve positions as well.

[0057] The docking device 1 includes a central region 10 with approximately three full coil turns having substantially equal inner diameters. The central region 10 of the docking device 1 serves as the main landing region or holding region for holding the expandable prosthetic valve or THV when the docking device 1 and the valve prosthesis are implanted into a patient's body. Other embodiments of the docking device 1 can have a central region 10 with more or less than three coil turns, depending for example, on the patient's anatomy, the amount of vertical contact desired between the docking device 1 and the valve prosthesis (e.g., THV), and/or other factors. The coils of the central region 10 can also be referred to as the "functional coils," since the properties of these coils contribute the most to the amount of retention force generated between the valve prosthesis, the docking device 1, and the native mitral leaflets and/or other anatomical structures.

[0058] Various factors can contribute to the total retention force between the docking device 1 and the prosthetic valve held therein. A main factor is the number of turns included in the functional coils, while other factors include, for example, an inner diameter of the functional coils, a friction force between the coils and the prosthetic valve, and the strength of the prosthetic valve and the radial force the valve applies on the coil. A docking device can have a variety of numbers of coil turns. The number of functional turns can be in ranges from just over a half turn to 5 turns, or one full turn to 5 turns, or more. In one embodiment with three full turns, an additional one half turn is

- 15 -

included in the ventricular portion of the docking device. In another embodiment, there can be three full turns total in the docking device. In one embodiment, in the atrial portion of the docking device, there can be one-half to three-fourths turn or one-half to three-fourths of a circle. While a range of turns is provided, as the number of turns in a docking device is decreased, the dimensions and/or materials of the coil and/or the wire that the coil is made from can also change to maintain a proper retention force. For example, the diameter of the wire can be larger and/or the diameter of the function coil turn(s) in a docking device with fewer coils. There can be a plurality of coils in the atrium and in the ventricle.

[0059] A size of the functional coils or coils of the central region 10 is generally selected based on the size of the desired THV to be implanted into the patient.

Generally, the inner diameter of the functional coils/turns (e.g., of the coils/turns of the central region 10 of the docking device 1) will be smaller than the outer diameter of the expandable heart valve, so that when the prosthetic valve is expanded in the docking device, additional radial tension or retention force will act between the docking device and the prosthetic valve to hold the prosthetic valve in place. The retention force needed for adequate implantation of a prosthetic valve varies based on the size of the prosthetic valve and on the ability of the assembly to handle mitral pressures of approximately 180 mm Hg. For example, based on benchtop studies using a prosthetic valve with a 29 mm expanded outer diameter, a retention force of at least 18.5 N is needed between the docking device and the prosthetic valve in order to securely hold the prosthetic valve in the docking device and to resist or prevent mitral regurgitation or leakage. However, under this example, to meet this 18.5 N retention force requirement with statistical reliability, a target average retention force should be substantially greater, for example, approximately 30 N.

- 16 -

[0060] In many embodiments, the retention force between the docking device and the valve prosthesis reduces dramatically when a difference between the outer diameter of the prosthetic valve in its expanded state and the inner diameter of the functional coils is less than about 5 mm, since the reduced size differential would be too small to create sufficient retention force between the components. For example, when, as in one embodiment, a prosthetic valve with a 29 mm expanded outer diameter is expanded in a set of coils with a 24 mm inner diameter, the retention force observed is about 30 N, but when the same prosthetic valve is expanded in a set of coils with a 25 mm inner diameter (e.g., only 1 mm larger), the retention force observed drops significantly to only 20 N. Therefore, for valves and docking devices of this type, in order to create a sufficient retention force between the docking device and a 29 mm prosthetic valve, the inner diameter of the functional coils (e.g., the coils of the central region 10 of docking device 1) should be 24 mm or less. Generally, the inner diameter of the functional coils (e.g., central region 10 of the docking device 1) should be selected to be at least about 5 mm less than the prosthetic valve that is selected for implantation, though other features and/or characteristics (e.g., friction enhancing features, material characteristics, etc.) can be used to provide better retention if other sizes or size ranges are used, as various factors can affect retention force. In addition, a size of the inner diameter of the functional coils or central region 10 can also be selected to draw the mitral anatomy closer together, in order to at least partially offset or counteract mitral regurgitation that is caused by stretching out of the native valve annulus as a result of, for example, left ventricular enlargement.

[0061] It is noted that the desired retention forces discussed above are applicable to embodiments for mitral valve replacements. Therefore, other embodiments of the docking device that are used for replacement of other valves can have different size relationships based on the desired retention forces for valve replacement at those

- 17 -

respective positions. In addition, the size differentials can also vary, for example, based on the materials used for the valve and/or the docking device, whether there are any other features to prevent expansion of the functional coils or to enhance friction/locking, and/or based on various other factors.

[0062] In embodiments where the docking device 1 is used at the mitral position, the docking device can first be advanced and delivered to the native mitral valve annulus, and then set at a desired position, prior to implantation of the THV. Preferably, the docking device 1 is flexible and/or made of a shape memory material, so that the coils of the docking device 1 can be straightened for delivery via a transcatheter approach as well. In another embodiment, the coil can be made of another biocompatible material, such as stainless steel. Some of the same catheters and other delivery tools can be used for both delivery of the docking device 1 and the prosthetic valve, without having to perform separate preparatory steps, simplifying the implantation procedure for the end user.

[0063] The docking device 1 can be delivered to the mitral position transatrially from the left atrium, transeptally through the atrial septum, or can be delivered to the mitral position via one of various other known access points or procedures. Figs. 6 and 7 illustrate some steps during delivery of a docking device 1 to the mitral position using a transeptal approach, where a guide sheath 1000 is advanced through vasculature to the right atrium and through the atrial septum of the heart to the left atrium, and a delivery catheter 1010 is advanced through the guide sheath 1000 passing through the vasculature, right atrium, and septum into the left atrium. As can best be seen in Fig. 6, the docking device 1 can be advanced through a distal end of the delivery catheter 1010 positioned in the left atrium (e.g., positioned at a commissure), through the native mitral annulus, for example, at a commissure of the native mitral valve, and into the left ventricle. The distal end of the docking device 1 then circles around the mitral anatomy

- 18 -

(e.g., native mitral leaflets and/or the chordae tendineae) located in the left ventricle, so that all or at least some of the native leaflets and/or the chordae tendineae are corralled or gathered by and held in (e.g., encircled by) the coils of the docking device 1.

[0064] However, since the functional coils/turns or coils/turns of the central region 10 of the docking device 1 are kept relatively small in diameter (e.g., the central region 10 in one embodiment can have an inner diameter of approximately 24 mm (e.g., ± 2 mm) or another diameter smaller than the THV and/or the native annulus) in order to increase retention force with the prosthetic valve, it might be difficult to advance the docking device 1 around the existing leaflets and/or chordae to a desired position relative to the native mitral annulus. This is especially true, if the entire docking device 1 is made to have the same small diameter as the central region 10. Therefore, referring back to Figs. 3 to 5, the docking device 1 can have a distal or lower region 20 that makes up a leading coil/turn (or leading ventricular coil/turn) of the docking device 1, which has a diameter that is greater than the diameter of the functional coils/turns or of the coils/turns of central region 10.

[0065] Features of the mitral anatomy in the left ventricle have variable dimensions, and can have an approximately 35 mm to 45 mm greatest width on a long axis. The diameter or width of the leading coil/turn (e.g., ventricular coil/turn) of the lower region 20 can therefore be selected to be larger to more easily navigate a distal or leading tip 21 of the docking device 1 around and encircle the features of the mitral anatomy (e.g., leaflets and/or chordae tendineae). Various sizes and shapes are possible, for example, in one embodiment, the diameter could be any size from 25 mm to 75 mm. The term “diameter” as used in this disclosure does not require that a coil/turn be a complete or perfectly-shaped circle, but is generally used to refer to a greatest width across opposing points of the coil/turn. For example, with respect to the leading coil/turn, diameter can be measured from the distal tip 21 to the opposite side, as if the lower region 20 or

- 19 -

leading coil/turn formed a complete rotation, or the diameter can be considered double a radius of curvature of the leading coil/turn. In one embodiment, the lower region 20 of the docking device 1 (e.g., the leading coil/turn) has a diameter (e.g.,) of approximately 43 mm (e.g., ± 2 mm), in other words the radius of curvature at the leading coil/turn can be approximately 21.5 mm. Having a leading coil/turn with a larger size than the functional coils can help more easily guide the coils around and/or through the chordae geometry, and most importantly, adequately around both native leaflets of the mitral valve. Once the distal tip 21 is navigated around the desired mitral anatomy, the remaining coils of the docking device 1 can also be guided around the same features, where the reduced size of the other coils can cause the corralled anatomical features to be pulled slightly radially inwardly. Meanwhile, the length of the enlarged lower region 20 is generally kept relatively short, to prevent or avoid obstruction or interference of the flow of blood along the left ventricular outflow tract by the lower region 20. For example, in one embodiment, the enlarged lower region 20 extends for only about half a loop or rotation. With a lower region 20 having this relatively short length, when a prosthetic valve is expanded into the docking device 1 and the coils of the docking device 1 start to unwind slightly due to the size differential between the docking device and the prosthetic valve, the lower region 20 may also be drawn in and shift slightly. Under this example, after expansion of the prosthetic valve, the lower region 20 can be similar in size and be aligned substantially with the functional coils of the docking device 1, rather than continuing to project away from the functional coils, thereby reducing any potential flow disturbances. Other docking device embodiments can have lower regions that are longer or shorter, depending on the particular application.

[0066] The docking device 1 in Figs. 3 to 5 also includes an enlarged proximal or upper region 30 that makes up a stabilizing coil/turn (e.g., which can be an atrial coil/turn) of the docking device 1. When the docking device 1 has been placed in a

- 20 -

desired position and orientation at the native mitral annulus, the entire docking device 1 is released from the delivery catheter 1010, and thereafter a prosthetic valve (e.g., a THV) is delivered to the docking device 1. During a transient or intermediate stage of the implantation procedure, that is, during the time between the deployment and release of the docking device 1 and final delivery of the prosthetic valve, there is a possibility that the coil could be shifted and/or dislodged from its desired position or orientation, for example, by regular heart function. Shifting of the docking device 1 could potentially lead to a less secure implantation, misalignment, and/or other positioning issues for the prosthetic valve. A stabilization feature or coil can be used to help stabilize the docking device in the desired position. For example, the docking device 1 can include the upper region 30 with an enlarged stabilization coil/turn (e.g., an enlarged atrial coil/turn) intended to be positioned in the circulatory system (e.g. in the left atrium) such that it can stabilize the docking device. For example, the upper region 30 or stabilization coil/turn can be configured to abut or push against the walls of the circulatory system (e.g., against the walls of the left atrium), in order to improve the ability of the docking device 1 to stay in its desired position prior to the implantation of the prosthetic valve.

[0067] The stabilization coil/turn (e.g., atrial coil/turn) at the upper region 30 of the docking device 1 in the embodiment shown extends for about or nearly one full turn or rotation, and terminates at a proximal tip 31. In other embodiments, the stabilization coil/turn (e.g., atrial coil) can extend for more or less than one turn or rotation, depending for example on the amount of contact desired between the docking device and the circulatory system (e.g., with the walls of the left atrium) in each particular application. The radial size of the stabilization coil/turn (e.g., atrial coil) at the upper region 30 can also be significantly larger than the size of the functional coils in the central region 10, so that the stabilization coil/turn (e.g., atrial coil) flares or extends sufficiently outwardly in order to make contact with the walls of the circulatory system (e.g., the walls of the left

- 21 -

atrium). For example, in one embodiment, a major diameter 32 or width of the upper region 30 is approximately 50 mm (e.g., ± 2 mm), or about twice as large as the coils in the central region 10. A bottom region of the left atrium generally narrows towards the native mitral annulus. Therefore, when the docking device 1 is properly deployed at the mitral position, the stabilization coil/turn (e.g., atrial coil) of the upper region 30 sits and pushes against the walls of the left atrium, to help keep or hold the docking device 1 at a relatively high desired position and orientation, and preventing or reducing shifting of the docking device 1 towards the left ventricle, until the THV is advanced to and expanded in the docking device 1. Once the prosthetic valve (e.g., THV) is expanded within the docking the device, the force generated between the functional coils and prosthetic valve (e.g., with tissue, leaflets, etc. therebetween) is sufficient to secure and stabilize the docking device and prosthetic valve without needing the stabilization coil/turn.

[0068] Optionally, the stabilization coil/turn (e.g., atrial coil) of the upper region 30 can be non-circular in shape, and in the embodiment shown, is biased and arranged in an elliptical or ovoid shape. As illustrated in Fig. 5, an elliptical or other non-circular shape stabilization coil/turn (e.g., atrial coil) can have a major axis diameter 32, D_1 (i.e., a greatest width of the coil turn) and a minor axis diameter 33, D_2 (i.e., a smallest end-to-end width). The widths/diameters can be chosen based on the size of the anatomy of a portion of a circulatory system (e.g., based on the size of human's left atrium). The major axis diameter (or greatest width), D_1 , can range from 40 to 100 mm, or can be from 40-80, mm, or from 40-75 mm. The minor axis diameter (or smallest width) D_2 can range from 20 to 80 mm, or from 20 to 75 mm. While a major diameter/width D_1 of the stabilization coil/turn (e.g., atrial coil) can be approximately 50 mm, a diameter/width D_2 along a minor axis of the stabilization coil/turn (e.g., atrial coil) can be much smaller, for example, only slightly larger than the diameter of the central region 10 of the docking

- 22 -

device 1, as can best be seen in the top view of the docking device 1 in Fig. 5. In other embodiments, the biasing of the upper region of the docking device can be effected in other ways. For example, the stabilization coil/turn (e.g., atrial coil) of the upper region 30 can still be substantially circular, and/or the stabilization coil/turn can be biased in one direction, such that a center of the upper region is offset from the center of other portions of the docking device. This biasing of the shape of the upper region 30 of the docking device 1 can, for example, increase contact between the docking device 1 and the wall of the left atrium or other anatomy in the radial direction that the upper region 30 extends farthest from other portions of the docking device 1. The stabilization coil/turn (e.g., atrial coil) can be biased such that when viewed from a bird's eye view (Fig. 20), the stabilization coil/turn (e.g., atrial coil) has a center that is off center from the center of the functional coils by about 50 to 75% of the diameter of the functional turns. The stabilization turn (e.g., atrial turn) of the coil can be compliant, and flex inwards. This accommodates anatomy (e.g., left atrium anatomy) where the stabilization coil/turn (e.g., atrial coil) may have a major or minor axis diameter that is larger than the atrium or other anatomy itself.

[0069] Importantly, the docking device 1 can be rotated or otherwise oriented so that the narrower portion of the upper region 30, or the portion that extends the least radially outwardly, is directed in an optimal way. For example, when implanted in a native mitral valve, towards the wall of the left atrium that opposes or pushes against the left ventricular outflow tract, so that the amount of pressure applied by the docking device 1 against that portion of the atrial wall is reduced. In this manner, an amount of displacement of that portion of the wall into the left ventricular outflow tract will also be reduced, and the enlarged upper region 30 can therefore avoid obstructing, interfering with, or otherwise affecting the blood flow through the left ventricular outflow tract.

- 23 -

[0070] With the enlarged upper region 30, the docking device 1 can be more securely held or retained at a proper positioning and orientation at the native valve annulus (e.g., native mitral annulus) before the THV is implanted and expanded therein. Such self-retention of the docking device 1 will more effectively prevent undesirable shifting or tilting of the docking device 1 before the prosthetic valve is fully implanted, thereby improving performance of the implant as a whole.

[0071] Figs. 6 to 9 show some of the steps that can be used for delivering and implanting a docking device (e.g., docking device 1 or other docking devices described elsewhere herein) and a THV at the mitral position. While these focus on the mitral position, similar steps can be used in other valve locations, e.g., at the tricuspid valve position. The docking device can be the docking device 1 described above with respect to Figs. 3 to 5 or another similar docking device (e.g., other docking devices herein), and the THV is generally a self-expandable, a mechanically expandable or a balloon expandable THV (or a combination of these) with a circular or cylindrical valve frame or stent that is sized to be expanded and held in the docking device.

[0072] Figs. 6 and 7 show a transseptal procedure for delivering the docking device 1 to a patient's mitral position, where a guide sheath/introducer 1000 is advanced across the atrial septum of the heart and a distal end of a delivery catheter 1010 is advanced through the guide sheath 1000 and positioned with a distal opening of the delivery catheter positioned in the left atrium for delivering the docking device 1. Optionally, a delivery catheter can be similarly advanced through the anatomy (e.g., vasculature, chambers of the heart, septum, etc.) and similarly positioned without first inserting or using a guide sheath. In an example procedure, the guide sheath 1000 (and/or delivery catheter 1010) is introduced into the patient's venous system by percutaneous puncture or by a small surgical cut, for example, at the patient's groin, and then the guide sheath 1000 (and/or catheter 1010) is advanced through the patient's vasculature to the left

- 24 -

atrium as shown in Figs. 6 and 7. It is noted that the transseptal procedure illustrated is only one example, and various alternative procedures and/or access sites can instead be used for delivering the docking device 1 and/or a suitable prosthetic valve to either the mitral position or to other positions of the heart. However, a transatrial or transseptal procedure may be preferable, because such procedures provide a cleaner entry into the left side of the heart when compared, for example, to a transapical procedure or other procedure where access to the mitral valve is via the left ventricle, so that the practitioner can avoid direct interference with the chordae tendineae and other ventricular obstacles.

[0073] As shown in Fig. 6, the delivery catheter 1010 is advanced to a position in the left atrium where the distal end of the delivery catheter 1010 is just above a plane of the native valve (e.g., the mitral plane) and can be positioned, for example, near a commissure of the native valve. The delivery catheter can be steerable in multiple dimensions (e.g., more than two dimensions) to allow more precise positioning. The positioning of the distal opening of the delivery catheter defines an access site for implanting the docking device 1 at the mitral position. The access site is usually near one of the two commissures of the native mitral valve, so that the leading tip 21 of the docking device 1 can be advanced through the native valve commissure into the left ventricle, in order to deploy the leading coil/turn (e.g., ventricular coil) of the lower region 20, as well as at least part of the functional coils (e.g., coils of the central region 10), into the left ventricle. In one deployment method, the leading tip 21 of the docking device 1 is first passed through commissure A3P3 of the native mitral valve, and then more of the docking device 1 is advanced out of the delivery catheter through commissure A3P3.

[0074] While the docking device 1 is held in the delivery catheter 1010, the docking device 1 can be straightened to be more easily maneuvered through the delivery catheter 1010. Thereafter, as the docking device 1 is rotated, pushed or otherwise advanced out

- 25 -

of the delivery catheter 1010, the docking device 1 can return to its original coiled or curved shape, and further advancement of the docking device 1 out of the delivery catheter causes either a clockwise or a counter-clockwise (i.e., viewing the annulus in the direction of blood outflow) advancement of the leading tip 21 around (e.g., to encircle) various features of the mitral anatomy, based on the direction of curvature of the docking device 1 when it exits the delivery catheter. The enlarged leading coil/turn (e.g., ventricular coil/turn) at the lower region 20 of the docking device 1 makes navigating the leading tip 21 of the docking device 1 around the mitral anatomy in the left ventricle easier. In the above example, when the leading tip 21 of the docking device 1 enters the left ventricle through commissure A3P3 and is advanced clockwise viewing the annulus in the outflow direction (e.g., from atrium to ventricle), the docking device 1 can first go around and corral the posterior leaflet of the native mitral valve. Alternative methods are also available for corralling the posterior leaflet first, for example, by inserting the leading tip 21 through commissure A1P1 and then advancing the docking device counter-clockwise.

[0075] In some situations, corralling of the posterior leaflet of the native mitral valve first may be easier than corralling of the anterior leaflet first, because the posterior leaflet is positioned closer to a ventricular wall that provides for a more confined space along which the leading tip 21 can advance. The leading tip 21 of the docking device 1 can therefore use the ventricular wall near the posterior leaflet as a pathway or guide for advancement around the posterior leaflet. Conversely, when trying to advance the leading tip 21 of the docking device 1 around and to capture the anterior leaflet of the native mitral valve first, there is no ventricular wall nearby that can facilitate or guide the advancement of the leading tip 21 in that direction. Therefore, in some situations, it can be more difficult to properly initiate the encircling of the mitral anatomy when

- 26 -

navigating the leading tip 21 to try to first capture the anterior leaflet instead of the posterior leaflet.

[0076] With that said, it can still be preferential or required in some procedures to corral the anterior leaflet first. In addition, in many situations, it can also be much simpler to bend the distal end of the delivery catheter 1010 in a counter-clockwise direction in preparation for delivery of the docking device. As such, the delivery method of the docking device can be adjusted accordingly. For example, a docking device can be configured with coil turns in an opposite, counter-clockwise direction (e.g., as seen in Fig. 10 below), where the delivery catheter 1010 also winds in a counter-clockwise direction. In this manner, such a docking device can be advanced, for example, through commissure A3P3 and into the left ventricle in a counter-clockwise direction viewing the annulus in an outflow (e.g., atrium to ventricle) direction instead of in the clockwise direction described above.

[0077] An amount of the docking device to be advanced into the left ventricle depends on the particular application or procedure. In one embodiment, the coil(s) of the lower region 20, and most of the coils of the central region 10 (even if not all) are advanced and positioned in the left ventricle. In one embodiment, all of the coils of the central region 10 are advanced into the left ventricle. In one embodiment, the docking device 1 is advanced to a position where the leading tip 21 sits behind the anterior medial papillary muscle. This position provides a more secure anchoring of the leading tip 21, and consequently of the docking device 1 as a whole, because the leading tip 21 sits and is held between the chordae tendineae and the ventricular wall in that area. Meanwhile, once any part of the mitral anatomy is corralled and/or captured by the leading tip 21, further advancement of the docking device 1 serves to gather the captured chordae and or leaflets within the coils of the docking device 1. Both the secure positioning of the leading tip 21 and the holding of the native mitral anatomy by the docking device 1 can

- 27 -

serve to prevent obstruction of the left ventricular outflow tract (e.g., of the aortic valve) prior to implantation of the THV.

[0078] After a desired amount of the docking device 1 has been advanced into the left ventricle, the rest of the docking device 1 is then deployed or released into the left atrium. Fig. 7 shows one method of releasing the atrial portion of the docking device 1 into the left atrium. In Fig. 7, the distal end of the delivery catheter 1010 is rotated backwards or retracted, while the docking device 1 remains in substantially the same position and orientation, until the entire docking device 1 is released from the delivery catheter 1010. For example, when the docking device 1 is advanced clockwise through commissure A3P3, the distal end of the delivery catheter 1010 can thereafter be rotated counter-clockwise or retracted for releasing the atrial portion of the docking device 1. In this manner, a ventricular position of the docking device 1 does not have to be adjusted or readjusted during or after releasing the atrial portion of the docking device 1 from the delivery catheter 1010. Various other methods of releasing the atrial portion of the docking device 1 can also be employed. Prior to releasing the stabilization coil/turn (e.g., atrial coil) from the delivery catheter, it can be held in place and/or retracted/retrieved by a holding device/anchor (e.g., by being hooked to a release suture, connected by a barb, a Velcro hook, a latch, a lock, an anchor that can screw in to the delivery device, etc.). Once released, the docking device is not tightly engaged with the native mitral valve (i.e., it is only loosely positioned around the native mitral valve leaflets).

[0079] After the docking device 1 is fully deployed and adjusted to a desired position and orientation, the delivery catheter 1010 can be removed to make room for a separate delivery catheter for delivering the THV, or in some embodiments, the delivery catheter 1010 can be adjusted and/or repositioned if the prosthetic valve is to be delivered through the same catheter 1010. Optionally, the guide sheath 1000 can be left in place

- 28 -

and the prosthetic valve or THV delivery catheter can be inserted and advanced through the same guide sheath 1000 after the delivery catheter 1010 is removed. Fig. 8 shows a cross-sectional view of a portion of a patient's heart with the docking device 1 of Figs. 3 to 5 positioned at the mitral position and prior to delivery of the THV. Here, the enlarged upper region 30 of the docking device 1 can push against the atrial walls to help hold the docking device 1 in the desired orientation, and as described above, the biasing of the upper region 30 can be arranged so that the upper region 30 does not push against any walls that could potentially lead to obstructions in the left ventricular outflow tract.

[0080] In addition, it should be noted that in at least some procedures, once the docking device 1 is delivered to the mitral position as described above, and prior to implantation of the prosthetic valve therein, the native mitral valve can still continue to operate substantially normally, and the patient can remain stable, since the valve leaflets are not substantially restrained by the docking station. Therefore, the procedure can be performed on a beating heart without the need for a heart-lung machine. Furthermore, this allows the practitioner more time flexibility to implant the valve prosthesis, without the risk of the patient being in or falling into a position of hemodynamic compromise if too much time passes between the implantation of the docking device 1 and the later valve implantation.

[0081] Fig. 9 shows a cross-sectional view of a portion of the heart with both the docking device 1 and a prosthetic valve 40 (e.g., THV) finally implanted at the mitral position. Generally, the prosthetic valve 40 will have an expandable frame structure 41 that houses a plurality of valve leaflets 42. The expandable frame 41 of the prosthetic valve 40 can be balloon expandable, or can be expanded in other ways, for example, the frame can be self-expanding, mechanically-expanding, or expandable in a combination of ways. The prosthetic valve 40 can be delivered through the same catheter 1010 used to deliver the docking device 1, or can be introduced through a separate catheter,

- 29 -

generally while the valve 40 is radially collapsed for easier navigation through the delivery catheter. Optionally, the guide sheath can be left in place when catheter 1010 is removed, and a new prosthetic valve or THV delivery catheter can be advanced through guide sheath 1000. The prosthetic valve 40 is then advanced out of the delivery catheter and positioned through the docking device 1 while still in the collapsed configuration, and can then be expanded in the docking device 1, so that the radial pressure or tension between the components securely hold the entire assembly in place at the mitral position. The mitral valve leaflets (or a portion of the mitral valve leaflets) can be sandwiched between the functional turns of the docking coil and the frame 41 of the prosthetic valve. After the docking device and prosthetic valve are securely deployed/implanted, the remaining delivery tools can be removed from the patient.

[0082] Fig. 10 shows a perspective view of a modified version of the coil anchor or docking device 1 of Figs. 3 to 5. The docking device 100 in Fig. 10 has a central region 110, a lower region 120, and an upper region 130 that can be the same as or similar to the respective central, lower, and upper regions 10, 20, 30 in the previously described docking device 1. The docking device 100 can include features and characteristics that are the same as or similar to features and characteristics described with respect to docking device 1, and can also be implanted using the same or similar steps. However, the docking device 100 includes an additional extension 140 substantially positioned between the central region 110 and upper region 130. In some embodiments, the extension 140 can optionally be positioned, for example, wholly in the central region 110 (e.g., at an upper portion of the central region 110) or wholly in the upper region 130. In Fig. 10, the extension 140 is made up of or includes a vertical part of the coil that extends substantially parallel to a central axis of the docking device 100. In some embodiments, the extension 140 can be angled relative to the central axis of the docking device 100, but will generally serve as a vertical or axial spacer that spaces apart the

- 30 -

adjacent connected portions of the docking device 100 in a vertical or axial direction, so that a vertical or axial gap is formed between the coil portions on either side of the extension 140 (e.g., a gap can be formed between an upper or atrial side and a lower or ventricular side of the docking device 100).

[0083] The extension 140 of the docking device 100 is intended to be positioned through (e.g., crossing) or near the native valve annulus, in order to reduce the amount of the docking device 100 that passes through or pushes or rests against the native annulus when the docking device 100 is implanted. This could potentially reduce the stress or strain applied by the docking device 100 on the native mitral valve. In one arrangement, the extension 140 is positioned at and passes through or crosses at one of the commissures of the native mitral valve. In this manner, the extension 140 can space the upper region 130 apart from native mitral leaflets to prevent the upper region 130 from interacting with or engaging the native leaflets from the atrial side. The extension 140 also raises a position of the upper region 130, so that the contact that the upper region 130 makes against the atrial wall can be elevated or spaced farther away from the native valve, which could, for example, also reduce stresses on and around the native valve, as well as provide for a more secure holding of the position of the docking device 100. The extension 140 can have a length ranging from 5 to 100 mm, and in one embodiment is 15 mm.

[0084] The docking device 100 can further include one or more through holes 150 at or near one or both of the proximal and distal ends of the docking device 100. The through holes 150 can serve, for example, as suturing holes for attaching a cover layer over the coil of the docking device 100, and/or for example, as an attachment site for delivery tools, such as a pull wire/suture for a pusher, a holding device/anchor (e.g., for holding the docking device and/or allowing retraction and retrievability of the device after being fully or partially deployed from the delivery catheter), or other advancement

- 31 -

device or retention device. In some embodiments, a width or thickness of the coil of the docking device 100 can also be varied along the length of the docking device 100. For example, a central region of the docking device 100 can be made slightly thinner than end regions of the docking device 100 (not shown), so that for example, the central regions exhibit greater flexibility, the end regions are stronger or more robust, and/or the end regions provide more surface area for suturing or otherwise attaching a cover layer to the coil of the docking device 100, among other reasons. In one embodiment, all or a portion of extension 140 can have a thickness that is less than the thickness in other regions of the docking device, e.g., extension 140 can be thinner than the leading coil/turn or lower region 120, thinner than the functional coils/turns or central region 110, and/or thinner than the stabilization coil/turn or upper region 130, e.g., as shown, for example, in Fig. 19.

[0085] In Fig. 10 (and similarly Fig. 19), the coils of the docking device 100 are depicted as turning in a direction opposite to the coils in the docking device 1 described above. Therefore, the docking device 100, as depicted, is configured to be inserted through the native valve annulus in a counter-clockwise direction viewing the annulus in the direction of blood outflow (e.g., from atrium to ventricle). This advancement can be made through commissure A3P3, commissure A1P1, or through another part of the native mitral valve. Arrangement of the docking device 100 in a counter-clockwise direction also allows for bending of the distal end of the delivery catheter in a similar counter-clockwise direction, which in many instances is easier to achieve than to bend the delivery catheter in the clockwise direction. The various coiled docking device embodiments described herein (including docking devices 1, 100, 200, 300, 400, 500, 600, and 1100) can be configured for either clockwise or counter-clockwise advancement through one of various access points (e.g., either commissure).

- 32 -

[0086] In most situations and patients, the docking device should be placed high relative to the native mitral valve (e.g., farther into the left atrium). When considering the mitral anatomy, the finally implanted dock and valve combination should be placed high at the native valve, in some cases as high as possible, to anchor the valve to a clear zone of the native mitral leaflets. In addition, in a healthy human heart, the native mitral leaflets are generally smoother above the coaptation line (e.g., above where the leaflets come together when the mitral valve is closed) and rougher below the coaptation line. The smoother area or zone of the native leaflets are much more collagenous and stronger, thereby providing a more secure anchoring surface for the prosthetic valve than the rougher area or zone. Therefore, in most cases, the docking device should be placed as high as possible at the native valve during insertion, while also having sufficient retention force to anchor the prosthetic valve or THV. For example, the length of the coil in the docking device placed in the ventricle generally depends on the number of turns in the ventricle and the thickness of the wire used. Generally, the thinner the wire used, the more length is required in the ventricle to provide sufficient retention force. For example, if a docking device coil has a length of 370 mm, then about 280 mm (e.g., ± 2 mm) would be placed in the ventricle. About 70 to 90 mm would be placed in the atrium, and about 10-15 would be used in the transition or extension length to move the docking device coils away from the plane of the mitral valve on the atrial side of the docking device.

[0087] The average mitral valve in humans measures approximately 50 mm along its long axis and 38 mm along its short axis. Due to the size and shape of the native valve and the typically smaller size of replacement valves, an inverse relationship is formed with respect to the coil diameter of the docking device between how high the docking device can be placed at the mitral position and the retention force the docking device can provide for the THV to be implanted therein. Docking devices with larger diameters are

- 33 -

able to capture more chordae therein and consequently have the ability to be deployed higher relative to the native valve, but will provide a lower amount of retention force for valves that are docked in them. Conversely, docking devices with smaller diameters can provide stronger retention forces for docked valves, but may not be able to go around and capture as many chordae during positioning, which can result in lower positioning of the docking device in the native valve annulus. Meanwhile, larger docking devices can be modified so that they have increased coil diameters or thicknesses and/or can be constructed using materials with higher moduli of elasticity.

[0088] Figs. 11 to 13 show a docking device according to another embodiment of the invention. The docking device 200 (see Figs. 12 and 13) is formed with a laser-cut tube 210 and a tensioning wire 219. The wire 219 can be used to adjust the curvature and/or size of the docking device 200. For example, the docking device 200 can assume a larger or wider configuration when being positioned at the native valve annulus, and can thereafter be adjusted with the wire 219 to assume a smaller or narrower configuration to prepare for docking a prosthetic valve.

[0089] Fig. 11 schematically shows an open sheet view of a laser-cut tube 210, e.g., the ends of the sheet can be connected to form a tubular structure, or a similar tube can be formed as a tube and cut as a tube, i.e., without a seam. The tube 210 can be made from either shape memory or non-shape memory material (e.g., NiTi, stainless steel, other materials, or a combination of materials). The tube 210 can be laser cut with the pattern shown in Fig. 11, or with a similar pattern, where the cutting pattern dictates the shape of the docking device 200 when the docking device 200 is actuated. The patterned cuts in Fig. 11 include a plurality of separate cuts 211 that extend transversely to a longitudinal axis of the tube 210, and that separate the tube 210 into a plurality of interconnected links 212. Each of the cuts 211 can further form one or more teeth 213 and one or more corresponding grooves 214 in adjacent links 212, where the teeth 213

- 34 -

can extend into the adjacent grooves 214, including when the tube 210 is bent or curved. The teeth 213 and grooves 214 formed by each cut 211 can extend in a same direction along the tube 210, or some can be configured to extend in the opposite direction, depending on the desired shape of the docking device 200. The cuts 211 are also wholly contained on the sheet or tube, in other words, the cuts 211 do not extend to any of the edges of the tube sheet or tube, so that the links 212 remain interconnected with one another at least at one region. In other embodiments, some or all of the cuts can extend to the edges of the sheet or tube, as needed. In the embodiment of Fig. 11, each of the cuts 211 further include end regions 215 on either end of the cuts 211 that extend parallel to the longitudinal axis of the tube 210. The end regions 215 provide space for adjacent links 212 to pivot relative to one another while remaining interconnected.

[0090] The laser-cut patterning can also be modified or varied along the length of the tube 210, with cuts having different sizes, shapes, and positioning on the sheet or tube, in order to effect different shapes and curvatures in the docking device 200 when the docking device 200 is tensioned or actuated. For example, as seen in Fig. 11, a left end of the sheet or tube includes other cuts 216 that are larger than cuts 211 that are found at the central and right portions of the sheet or tube (as illustrated). The left end of the tube 210 can have such enlarged laser cut patterns in order to effect a more mobile or flexible distal tip of the docking device 200, as described in greater detail below.

[0091] In addition, the laser-cut sheet or tube can include one or more distal wire lock features, for example, cut 217 at a distal or left end of the sheet or tube as illustrated, and/or one or more proximal wire lock features, for example, cuts 218 at the proximal or right end of the sheet or tube as illustrated. Using one or both of the distal 217 or proximal 218 wire lock features, a locking wire 219, illustrated in Fig. 11A, can be attached to the distal or proximal end of the tube 210, and can then be tensioned through the tube 210 and locked at the opposite end of the tube 210 in order to effect a

- 35 -

desired actuated shape of the docking device 200. By having laser cut patterns positioned along a large portion of or along the entire length of the tube 210, when the locking wire 219 is attached at one end of the tube 210 and is then actuated and locked to the other end of the tube 210, the tube 210 is forced into a desired final coil form or shape by virtue of the arrangement of the cuts 211 and 216. The tension in the tensioning wire has the ability to control the radial outward and inward forces applied onto the docking device 200, and by the docking device 200 onto other features, for example, on a replacement valve 40 held therein. The locking wire can assist in controlling the forces applied by the docking device, but in other embodiments, a locking wire is not required. The locking wire can be in a laser-cut hypotube, or the locking wire can be in a tube that is not laser cut. The locking wire can be a suture, tether, wire, strip, etc., and the locking wire can be made of a variety of materials, e.g., metal, steel, NiTi, polymer, fiber, Dyneema, other biocompatible materials, etc.

[0092] In some embodiments, for example, embodiments where a shape memory material, such as NiTi, is used to construct the docking device 200, the tube 210 can be placed around a round mandrel defining a desired coil diameter during manufacture and shape set at that specific diameter. The shape set diameter can in some embodiments be larger than the desired final diameter of the docking device 200, so that the tube 210 assumes the larger shape set diameter when it is extruded from a delivery catheter and prior to the locking or tensioning wire being actuated. During this time, the larger diameter of the docking device 200 can help assist the docking device 200 in more easily navigating around and encircling the anatomical geometry of the native valve.

[0093] Furthermore, in some embodiments, the distal tip 222 of the tube 210 can be shape set differently, so that instead of following the same coil shape as the rest of the docking device 200, the distal tip 222 flexes or articulates slightly radially outwardly compared to other portions of the docking device 200, for example, as can be seen in Fig.

- 36 -

12, in order to further assist in helping to encircle the mitral anatomy or other valve anatomy. In addition to or in lieu of a different shape setting, as mentioned above, the distal end 222 of the tube 210 can include different cuts 216 in order to make the distal end 222 more flexible or mobile, which can also assist in navigating the distal end 222 of the docking device 200 around the anatomical geometry.

[0094] After the docking device 200 has been maneuvered around the mitral anatomy or other anatomical geometry and has reached a desired position relative to the native valve, the locking wire can be tensioned or otherwise actuated in order to reduce the size of the docking device (e.g., to reduce the diameter of the turns of the coil), in preparation for a tighter or more secure docking of a prosthetic replacement valve 40. Meanwhile, in some embodiments where the distal tip 222 of the docking device 200 is shape set to flex outwards, the tensioning of the locking wire can in some cases draw or pull the distal tip 222 further inwards such that the distal tip 222 conforms more closely in shape to the rest of the docking device 200, to more effectively contribute to the docking of the replacement valve 40.

[0095] Thereafter, the replacement valve 40 can be positioned and expanded in the docking device 200. Fig. 13 is an example of the docking device 200 after it has been actuated by the locking wire, and also after the replacement valve 40 has been expanded therein. The tension in the locking wire helps to more effectively hold a desired shape and size of the docking device 200 and to maintain a stronger retention force between the docking device 200 and the valve 40. The radial outward pressure provided by the valve 40 on the docking device 200 is countered by the radial inward pressure provided by the tensioning or locking wire and docking device 200 onto the valve 40, forming a stronger and more secure hold between the pieces. As can further be seen in Fig. 13, since the docking device 200 can more effectively hold its shape and size, the radial inward pressure from the docking device 200 on the valve 40 can cause a flaring effect at the

- 37 -

ends of the frame of the valve 40, thereby providing an even more secure hold between the docking device 200 and the valve 40.

[0096] The docking device 200 can be modified in various ways in other embodiments. For example, the docking device can be made from or include shape memory materials other than NiTi, or in some embodiments can be made from non-shape memory materials, such as stainless steel, from other biocompatible materials, and/or a combination of these. In addition, while the docking device 200 has been described above for use at the mitral valve, in other applications, a similar or slightly modified docking device can also be used to dock replacement valves at other native valve sites, for example, at the tricuspid valve, pulmonary valve, or at the aortic valve.

[0097] The docking device 200 described above, and similar devices using a tensioning or locking wire, can provide several advantages over other docking devices, such as devices where a locking wire is not used. For example, the locking wire provides a user with the ability to control an amount of the radial outward and inward forces applied on and by the docking device through effecting and adjusting the tension in the locking wire, without compromising a desired profile of the docking device or the ability to deliver the docking device through a catheter or via minimally invasive techniques. Figure 11A illustrates a tensioning wire 219 that is held below the teeth 218 or looped around teeth 218, then pulled through the opening 217 and crimped at the opening 217 to set the shape of the docking device. In addition, the laser cuts in the tube make the docking device more flexible, enabling the docking device to be introduced through catheters that may have relatively small bend radii at certain locations.

[0098] In embodiments where a shape memory material is used, the docking device can be shape set to a coil having a larger diameter to allow the coil to more easily encircle anatomical features during delivery of the docking device and prior to the locking wire being tensioned. In addition, the distal tip of the docking device can further

- 38 -

be shape set to flex or bias slightly outwards to help encircle even more of the anatomical geometry during advancement and positioning of the docking device. In addition, in some embodiments, the distal tip of the docking device can further be modified, for example, with more material removed to form larger cuts, making the distal portion of the docking device even more flexible, so that the tip can more easily be actuated and manipulated to more effectively navigate it around and encircle different cardiovascular anatomies. A pattern can be laser cut to reduce the forces more in one area than another. The tube can be ovalized, that is the cross-section area of the tube can be ovalized, so that the forces allow the tube to curve in a desired direction. The tensioning wire can also be clamped at both a proximal and a distal end of the tube, to provide a tensioning force. Exemplary cut patterns are illustrated, but other cut patterns are also possible.

[0099] Various mechanisms can further be incorporated or added to one or more of the docking devices described herein (e.g., herein docking devices 1, 100, 200, 300, 400, 500, 600, and 1100), for example, in order to increase the retention force between the docking device and a replacement valve that is expanded therein. Generally, coil-shaped docking devices will have two open or free ends after implantation. When a THV or other replacement valve is expanded in the coil, the coil can partially unwind and increase in diameter due to the outward pressure applied by the expanding valve on the coil, which in turn reduces the retention force applied by the coil on the valve.

Mechanisms or other features can therefore be incorporated into the docking devices to prevent or reduce unwinding of the coil when the replacement valve is expanded in it, resulting in an increase in radial forces and retention forces between the docking device and the valve. Such mechanisms can be incorporated in lieu of modifying the size and shape of the docking device, for example, without making the coil thicker or reducing the diameter of the inner space formed by the coil, both of which can negatively affect

- 39 -

the performance or ease of delivery of the docking device. For example, when the coil of the docking device itself is made thicker, the increased thickness results in a more rigid coil, making it more difficult to pass the docking device through a delivery catheter. Meanwhile, when the diameter of the inner space formed by the coil is reduced too much, the reduced space can prevent the expandable valve from fully expanding.

[00100] A first alternative modification to ensure sufficient retention force between a docking device and a valve that is expanded in the docking device is shown in Fig. 14. The docking device 300 in Fig. 14 includes a main coil 310 (which can be similar in size and shape to one of the docking devices described above) and anchors 320 extending from the two free ends of the coil 310. The anchors 320 are sized, shaped, or otherwise configured to embed themselves into the surrounding tissue (e.g., into the atrial and/or ventricular walls), for example, when a replacement valve is expanded in the docking device 300. The anchors 320 can be barbed to promote ingrowth once the anchors 320 are embedded into the heart walls or other tissue. The anchors can be any of many different shapes and sizes. The anchors can extend from the end or from any area near the end. Optionally, anchors or barbs can also be positioned at various locations along the length and outer surface of the docking device.

[00101] In operation, when the docking device 300 is deployed at the mitral anatomy, once the docking device 300 is positioned through the mitral valve, one end of the docking device 300 is positioned in the left atrium while the other end of the docking device 300 is positioned in the left ventricle. The shape and size of the coil 310 of the docking device 300 can be selected and optimized to ensure that the ends of the coil 310 respectively abut against the atrial and ventricular walls when the docking device 300 is advanced to the desired position. The anchors 320 at the ends of the coil 310 can therefore anchor themselves into the respective heart walls. When the replacement valve is expanded in the coil 310, the free ends of the coil 310 are held in position by the

- 40 -

anchors 320 being lodged in the heart walls. The inability of the free ends of the coil 310 to move when the replacement valve is expanded in the docking device 300 prevents the coil 310 from unwinding, thereby increasing the radial forces applied between the docking device 300 and the expanded valve and improving the retention force between the components.

[00102] Fig. 15 shows a schematic view of a portion of another modified docking device for improving retention forces between the docking device and a replacement valve. Portions of three turns of a docking device 400 are illustrated in Fig. 15. The docking device 400 includes a main coil or core 410, which can be for example, a NiTi coil/core, or a coil/core that is made of or includes one or more of various other biocompatible materials. The docking device 400 further includes a covering 420 that covers the coil/core 410. The covering 420 can be made of or include a high friction material, so that when the expandable valve is expanded in the docking device 400, an increased amount of friction is generated between the valve and the covering 420 to hold a shape of the docking device 400 and prevent or inhibit/resist the docking device 400 from unwinding. The covering can also or alternatively increase the amount of friction between the docking device and native leaflets and/or the prosthetic valve to help retain the relative positions of the docking device, leaflets, and/or prosthetic valve.

[00103] The covering 420 is made from one or more high friction materials that is placed over the coil wire 410. In one embodiment, the covering 420 is made of or includes a PET braid over an ePTFE tube, the latter of which serves as a core for the covering 420. The ePTFE tube core is porous, providing a cushioned, padded-type layer for struts or other portions of a frame of the expandable valve to dig into, improving engagement between the valve and the docking device 400. Meanwhile, the PET layer provides additional friction against the native valve leaflets when the prosthetic valve is expanded and the struts or other portions of the valve frame apply outward pressure on

- 41 -

the docking device 400. These features can work together to increase radial forces between the docking device 400 and the native leaflets and/or prosthetic valve, thereby also increasing retention forces and preventing the docking device 400 from unwinding.

[00104] In other embodiments, the covering 420 can be made from one or more other high friction materials that covers the coil 410 in a similar manner. The material or materials selected for making the covering 420 can also promote rapid tissue ingrowth. In addition, in some embodiments, an outer surface of a frame of the replacement valve can also be covered in a cloth material or other high friction material to further increase the friction force between the docking device and the valve, thereby further reducing or preventing the docking device from unwinding. The friction provided by the covering can provide a coefficient of friction greater than 1. The covering can be made of ePTFE and can be a tube that covers the coil, and can be smooth or can have pores (or be braided or have other structural features that provide a larger accessible surface area like pores do) to encourage tissue ingrowth. The covering can also have a PET braid over the ePTFE tube when the ePTFE tube is smooth. The outermost surface of the covering or braid over the covering can be any biocompatible material that provides friction, such as a biocompatible metal, silicone tubing, or PET. Pore size in the covering can range from 30 to 100 microns. In embodiments where there is a PET covering on top of the ePTFE, the PET layer is only attached to the ePTFE covering, and not directly to the coil of the docking device. The ePTFE tube covering can be attached to the docking device coil at the coverings proximal and distal ends. It can be laser welded on to the coil, or radiopaque markers can be placed on the outside of the ePTFE tube covering or PET braid and swaged to the materials to hold them in place to the coil.

[00105] Meanwhile, in some embodiments, the docking device 400 can also include anchors similar to anchors 320 discussed above to further increase retention forces, but other embodiments of the docking device may incorporate the covering 420 without

- 42 -

further including any such additional end anchors. Once the replacement valve is expanded in the docking device 400 and the resulting assembly begins functioning as a combined functional unit, any tissue ingrowth can also serve to reduce the load on the combined valve and dock assembly.

[00106] The covering 420 can be added to any of the docking devices described herein (e.g., docking devices 1, 100, 200, 300, 400, 500, 600, and 1100) and can cover all or a portion of the docking device. For example, the covering can be configured to only cover the functional coils, the leading coil, the stabilization coil, or just a portion of one or more of these (e.g., just a portion of the functional coils)

[00107] Figs. 16 and 16A schematically show a portion of yet another modified docking device that improves retention forces between the docking device and a replacement valve. As is illustrated in the sectional view of Fig. 16A, the valve leaflet tissue 42 undulates to conform to the varying cross-section between the areas of the coil 510 with frictional elements 510 and without the frictional elements. This undulating of the leaflet tissue 42 results in a more secure entrapment of the tissue 42 between the docking device 1 and the valve frame 41. The docking device 500 in Fig. 16 includes a main coil 510 and one or more discrete friction elements 520 that are spaced apart along a length of the coil 510. The friction elements 520 can be made from a cloth material or other high friction material, such as PET, and can be formed as small bulges on the surface of the coil 510 or on another layer that is placed on the coil 510. In some embodiments, the covering 420 can itself be considered a frictional element or be configured to form one or more of the frictional elements 520. In some embodiments, the friction elements 520 are added on top of adding a high friction covering 530 that is similar to the covering 420 discussed above. An example of a docking device 500 with both a high friction covering 530 and friction elements 520 applied over a main coil 510 is schematically illustrated in Fig. 17.

- 43 -

[00108] When an expandable valve is expanded in the docking device 500, friction is formed between the frame of the valve and the friction elements 520 and/or between the frame of the valve, the native valve leaflets, and the docking device that prevents or inhibits/resists the coil 510 of the docking device 500 from unwinding. For example, the friction elements 520 can engage or otherwise extend into cells defined by the frame of the expandable valve and/or force valve leaflet tissue into cells of the expandable valve. In addition, when the valve is expanded in the docking device 500, each of the friction elements 520 can engage with adjacent turns of the docking device 500 above and/or below the friction element 520, and/or with one or more other friction elements 520 on the adjacent turns of the docking device 500. Any or all of these such engagements will cause the docking device 500 to inhibit or resist unwinding, thereby increasing the retention force between the docking device 500 and the expanded valve.

[00109] Fig. 18 schematically shows parts of three turns of still another modified docking device 600 that helps improve retention forces between the docking device and a replacement valve. The docking device 600 includes a coil 610 that is modified with one or more interlocking lock and key patterns spaced apart along the length of the coil 610. The lock and key patterns can be simple, for example, a rectangular groove or cutout 618 and a complementary rectangular projection 622, as generally illustrated in Fig. 18, or can be made of or include different shapes and/or more complex patterns in other embodiments. In addition, the grooves 618 and projections 622 can all be arranged in a same axial direction or in different axial directions in varying embodiments. The lock and key patterns or other frictional elements can be placed on the functional turns of the docking device.

[00110] When an expandable valve is expanded in the docking device 600, the lock and key mechanism relies on adjacent turns of the coil 610 abutting against one another and on each turn interlocking with adjacent turns of the coil 610 located above and/or

- 44 -

below it when one or more of the projections 622 engage corresponding grooves 618. The interlocking of the grooves 618 and the projections 622 prevents relative motion between the respective features, consequently also preventing the coil 610 of the docking device 600 from physically unwinding. Therefore, this arrangement also serves to increase the radial forces and the final retention force between the docking device 600 and a replacement valve that is expanded in the docking device 600.

[00111] Fig. 19 shows a perspective view of an exemplary coil anchor or docking device. The docking device 1100 in Fig. 19 can be the same as or similar in structure to the docking device 100 in Fig. 10 described above and can include any of the features and characteristics described with respect to docking device 100. Docking device 1100 can also include a central region 1110, a lower region 1120, an upper region 1130, and an extension region 1140. The lower and upper regions 1120, 1130 can form larger coil diameters than the central region 1110, and the extension region 1140 can space the upper region 1130 apart from the central region 1110 in a vertical direction, also similarly as previously described. The docking device 1100 is also arranged or wound so that advancement of the docking device 1100 into the left ventricle can be performed in a counter-clockwise manner viewing the annulus in the outflow direction (e.g., from atrium to ventricle). Other embodiments may instead facilitate clockwise advancement and placement of the docking device.

[00112] In the embodiment in Fig. 19, the central coils/turns 1110 of the docking device 1100 also serve as the functional coils/turns, and provide a main docking site for a prosthetic valve or THV that is expanded therein. The central turns 1110 will generally be positioned in the left ventricle, while a small distal portion, if any, will extend through the native valve annulus and into the left atrium, described in greater detail below. In examples where a THV has a 29 mm expanded outer diameter, the central turns 1110 can have an inner diameter ranging from 20 mm to 30 mm, and in an exemplary embodiment

- 45 -

can be approximately 23 mm (e.g., ± 2 mm), in order to provide about 16 N of retention force between the parts, which is sufficient for stably holding the expanded THV in the docking device 1100, and preventing the THV from dislodging from the docking device 1100, even during severe mitral pressures.

[00113] Meanwhile, the lower region 1120 of the docking device 1100 serves as a leading coil/turn (e.g., a ventricular encircling turn). The lower region 1120 includes the distal tip of the docking device 1100, and flares radially outwardly from the central turns 1100, in order to capture the native valve leaflets, and some or all of the chordae and/or other mitral anatomy, when the docking device 1100 is advanced into the left atrium. Native mitral valves exhibiting mitral regurgitation typically measure about a 35 mm A2P2 distance and a 45 mm distance from commissure to commissure. Therefore, when a THV that is 29 mm is used, the small size of the THV, and consequently the size of the central turns 1110, are smaller than the long axis of the mitral anatomy. As such, the lower region 1120 is formed to have an enlarged size or profile compared to the central turns 1110, in order to initially guide the docking device 1100 more easily around both of the native valve leaflets. In one example, the diameter of the lower region 1120 can be constructed to be about the same as the distance measured between the commissures of the native valve (e.g., 45 mm), such that the distal tip will extend approximately that distance away from the outlet of the delivery catheter during delivery of the docking device 1100.

[00114] The upper region 1130 of the docking device 1100 serves as the stabilization coil/turn (e.g., atrial coil/turn) that provides the docking device 1100 with a self-retention mechanism during the transition phase after the docking device 1100 is deployed at the native valve and prior to delivery of the THV. The left atrium generally flares outwardly from the mitral annulus, forming a funnel-like shape that widens away from the annulus. The diameter of the upper region 1130 is selected to allow the upper region 1130 to fit at

- 46 -

an approximate desired height in the left atrium, and to prevent the upper region 1130 from sliding or dropping further towards the native mitral annulus after the desired position is achieved. In one example, the upper region 1130 is formed to have a diameter from 40-60 mm, such as a diameter of about 53 mm.

[00115] In addition, the shape and positioning of the upper region 1130 are selected such that after the THV is expanded in the docking device 1100, the upper region 1130 applies minimal or no pressure to the portion of the atrial wall that is adjacent to the aortic wall. Fig. 20 is a schematic top view of a portion of a heart, showing an approximation of the left atrium 1800, and the mitral valve 1810 positioned at a central region thereof. In addition, an approximate position of the aorta 1840 is also schematically illustrated. Meanwhile, a docking device 1100 has been delivered to the native mitral valve 1810 at commissure A3P3 1820. Of note here, the upper region 1130 of the docking device 1100 is positioned away from a wall 1830 of the left atrium 1800 that is adjacent to the aorta 1840. Furthermore, when the THV is expanded in the docking device, the central region 1110 of the docking device 1100 will tend to slightly expand and unwind, which can further draw the upper region 1130 away from the atrial wall 1830 (e.g., counter-clockwise and downward as illustrated in Fig. 20). Additional details of the positioning of the docking device 1100 relative to the mitral valve 1810, with further reference to Fig. 20, will be discussed in greater detail below.

[00116] The extension region 1140 provides a vertical extension and spacing between the central region 1110 and the upper region 1130 of the docking device 1100. In some embodiments, the extension region 1140 of the docking device 1100 (and extension 140 of docking device 100) can therefore be referred to as an ascending turn. The location at which the docking device 1100 crosses the mitral plane is important in preserving the integrity of the native valve anatomy, and specifically the valve leaflets and commissures, to serve as an appropriate docking site for the final implantation of the

- 47 -

THV. In docking devices without such an extension or ascending region 1140, more of the docking device would sit on or against the mitral plane and pinch against the native leaflets, and the relative motion or rubbing of the docking device against the native leaflets could potentially damage the native leaflets from the atrial side. Having an extension region 1140 allows the portion of the docking device 1100 that is positioned in the left atrium to ascend away and be spaced apart from the mitral plane.

[00117] In addition, the extension region 1140 of the docking device 1100 can also have a smaller diameter cross-section. In the embodiment shown, the wire core of other regions of the docking device 1100 can have a diameter of, for example, 0.825 mm, while the core of the extension region 1140 can have a diameter of 0.6 mm. In another embodiment, the wire core of other regions of the docking device has a cross section diameter of 0.85 mm, and the extension region has a cross-section diameter of 0.6 mm. When the other regions of the docking device coil have a cross-section diameter of 0.825 mm or greater, or a cross-section diameter of 0.85 mm or greater, the extension region 1140 can have a cross-section diameter of 0.4 to 0.8 mm. The thicknesses can also be chosen based on a ratio to one another. The extension region can have a cross-section diameter that is 50% to 75% of the cross-section diameter of the rest of the portions of the wire. An extension region 1140 with a smaller cross-section can allow for a sharper angle of ascension of the extension region 1140 from the mitral plane. The radius of curvature and the wire cross-section of the extension region 1140 can further be selected, for example, to provide a sufficient connection point between the central region 1110 and the upper region 1130 of the docking device 1100, and/or to allow the extension region 1140 to be deployed and retrieved more easily with smaller forces during delivery, since a thinner wire core is generally easier to straighten and bend. In addition, in embodiments where a shape memory such as NiTi is used for the wire core, the thicknesses of both the extension region 1140 and the rest of the docking device 1100

- 48 -

should be chosen so as not to exceed any strain limits, based on the material properties of the material or materials selected.

[00118] While as noted above, a wire core of the docking device 1100 can be made of NiTi, another shape memory material, or another biocompatible metal or other material, the wire core can be covered by one or more additional materials. These cover or layer materials can be attached in a variety of ways including, for example, adhesion, melting, molding, etc. around the core or otherwise suturing, tying, or binding the cover/layer to the wire core. Referring briefly to Fig. 22, a cross-section of a distal portion of the docking device 1100 includes a wire core 1160 and a cover layer 1170. The wire core 1160, for example, can provide strength to the docking device 1100. Meanwhile, a base material of the cover layer 1170 which covers the wire core 1160 can be, for example, ePTFE or another polymer. The cover layer 1170 can be more compressive than the wire core 1160, so that the wire frame and/or struts of the THV can partially dig into or otherwise anchor into the cover layer 1170 for added stability when the THV is expanded in the docking device 1100. A more compressible material will also allow the pinching or compression of the native valve leaflets and other anatomy between the docking device 1100 and the THV to be less traumatic, leading to less wear and/or damage to the native anatomy. In the case of ePTFE, the material is also not water or blood permeable, but will allow ethylene oxide gas to pass or penetrate through, thereby providing a layer through which the underlying wire core 1160 can be more easily sterilized. Meanwhile, while not blood permeable, an ePTFE cover layer 1170 can be constructed with, for example, a 30 micron pore size, to facilitate easy anchoring of blood cells in and against the outer surface of the cover layer 1170, for example, to promote in-growth of tissue after implantation. Furthermore, ePTFE is also a very low friction material. A docking device 1100 with an ePTFE cover layer 1170 will provide for stability and promote in-growth.

- 49 -

[00119] While a low friction ePTFE cover layer 1170 can help with interactions between the ends of the docking device 1100 and the native heart anatomy, additional friction may be more desirable in the central region 1110, which provides the functional coils of the docking device 1100 for docking the THV. Therefore, as seen in Fig. 19, an additional covering 1180 (which can, optionally, be the same as or similar to covering 420 and/or friction elements 520) can be added to the central region 1110 of the docking device 1100, on top of the ePTFE layer 1170. Fig. 19A illustrates a cross-section view of the layers. The covering 1180 (depicted as a braided layer) or other high friction layer provides additional friction between adjacent coils and against the native leaflets and/or THV when the THV is expanded in the docking device 1100. The friction that is formed at the interfaces between coils and between the inner surface of the central region 1110 of the docking device 1100, the native mitral leaflets, and/or the outer surface of the THV creates a more secure locking mechanism to more strongly anchor the THV and the docking device 1100 to the native valve. Since the functional coils/turns or central region 1110 of the docking device 1100, that is, the region of the docking device that interacts with the THV, is generally the only region where a high friction covering/layer is desired, as seen in Fig. 19, the braid layer or high friction covering/layer 1180 does not extend into either the lower region 1120 or the extension region 1140, so that those regions of the docking device 1100, along with the upper region 1130, remain low friction, in order to facilitate less traumatic interactions with the native valve and other heart anatomy. Additional friction elements and thus improvement in retention forces between the docking device and a replacement valve, can also be added to the device through any combination of the high friction covering/layer 1180 and high friction elements or other features described herein and illustrated in Figs. 15-18.

[00120] Fig. 20 shows a top view of a possible placement of the docking device 1100 at the native mitral valve 1810 prior to expansion of a THV therein. In this embodiment,

- 50 -

the docking device 1100 is advanced counterclockwise through commissure A3P3 1820 of mitral valve 1810 and into the left ventricle. When a desired amount of the docking device 1100 (e.g., the lower region 1120 and much of the central region 1110) has been advanced into the left ventricle, the remaining turns of the docking device 1100, for example, any remaining part of the central region 1110 (if any), the extension region 1140 (or a portion thereof), and the upper region 1130, is then released from the delivery catheter, for example, by a clockwise or opposite rotation of the delivery catheter, such that these parts of the docking device 1100 can be unsheathed or otherwise released while a position of the central region 1110 and the lower region 1120 of the docking device 1100 remains stationary or substantially in position relative to the surrounding anatomy. In Fig. 20, portions of device 1100 below the native valve are depicted with dotted lines.

[00121] A correct positioning of the docking device 1100 can be very important. In one embodiment, the docking device 1100 should be positioned relative to the native valve 1810 such that a desired part of the docking device 1100 extends through the native valve 1810 at or near commissure A3P3, and comes into contact with the atrial side of the native leaflets. As can be seen, for example, in Fig. 19, a proximal portion of the central region 1110 of the docking device 1100 extends between the proximal end of the covering or braid layer 1180 and the extension region 1140, where the ePTFE or low friction layer 1170 remains exposed. Preferably, this ePTFE or low friction region is the part of the docking device 1100 that crosses the mitral plane and comes into contact with the atrial side of the native leaflets. Meanwhile, the portion of the docking device 1100 that passes through the mitral valve can be, for example, the part of the exposed central region 1110 just proximal to the end of the covering or braid layer 1180, or can also include some of the proximal end of the covering or braid layer 1180 as well.

- 51 -

[00122] Advancement of the lower coils or ventricular coils of the docking device 1100 into the left ventricle should be precise. To facilitate this one or multiple marker bands or other visualization features can be included on any of the docking devices described herein. Fig. 21 shows a top view of a modified embodiment of the docking device 1100, where two marker bands 1182, 1184 have been added to the docking device 1100. The marker bands 1182, 1184 are positioned next to one another. While the marker band(s) and/or visualization feature(s) can be placed at various locations, in Fig. 20, a first marker band 1182 is positioned at the proximal end of the high friction layer 1180, while a second marker band 1184 is positioned a small distance away from the proximal end of the high friction layer 1180. One marker band 1182 can be made thicker than the other marker band 1184, in order to easily tell them apart. The marker bands 1182, 1184 or other visualization feature(s) provide landmarks to easily identify the position of the proximal end of the high friction layer 1180 relative to both the delivery catheter and the native mitral anatomy. Therefore, a physician can use the marker bands 1182, 1184 or other visualization feature(s) to determine when to stop advancing the docking device 1100 into the left ventricle (e.g., when the marker bands are at a desired orientation proximate commissure A3P3), and to start releasing or unsheathing the remaining proximal portion of the docking device 1100 into the left atrium. In one embodiment, the marker bands 1182, 1184 are visualized under fluoroscopy or other 2D imaging modality, but the invention should not be limited thereto. In some embodiments, one or both marker bands are instead positioned on the low friction layer 1170 proximal to the end of the braid layer 1180, or on other portions of the docking device 1100, based on user preference. In other embodiments less or more marker bands can be used. The braid layer 1180 can extend across the portion of the docking device coils that engages the replacement heart valve.

- 52 -

[00123] Any of the docking devices herein can be further modified, for example, to ease or assist in advancement of the docking device to an appropriate position relative to the native valve. Modifications can also be made, for example, to help protect the native valve and other native heart tissue from being damaged by the docking device during implantation and positioning of the docking device. For mitral applications, when a leading or distal tip of a coil-shaped docking device similarly as previously described is introduced into and rotated into position in the left ventricle, the distal tip can be sized, shaped, and/or otherwise configured to more easily navigate around and encircle the chordae tendineae. On the other hand, the distal tip should also be made in an atraumatic manner, such that advancement of the distal tip around and/or through the mitral or other valve anatomy will not damage the anatomy.

[00124] Meanwhile, in some embodiments, the proximal end of the docking device is attached to a pusher in the delivery catheter that pushes the docking device out of a distal opening of the catheter. The terms pusher, pusher device, and push rod are used interchangeably herein and can be substituted for each other. While attached to the docking device, the pusher can assist in both pushing and pulling or retrieval of the docking device relative to the delivery catheter, in order to enable repositioning of the docking device at any stage throughout the delivery process. Methods described herein can include various steps related to retrieval and repositioning of the docking device, e.g., retracting or pulling a push rod/suture/tether or other feature to pull/retract the docking device back into the delivery catheter, then repositioning and reimplanting the docking device in a different position/orientation or location. For docking devices that have a cover layer, such as a fabric layer, that covers a coil skeleton of the docking device, adjustments of the docking device by the pusher can lead to friction forces applied against the cover layer, particularly at portions located at the proximal and distal ends of the docking device, for example, by the heart anatomy and/or by the pusher/push

- 53 -

rod/pusher device itself. Therefore, the structure at the ends of the coil of the docking device and the connection techniques (e.g., adhesion or suturing techniques) for connecting the fabric layer to the coil can both be important for handling and dealing with such friction forces and to prevent tearing of the fabric layer from the coil or the ends of the coil.

[00125] In view of the above considerations, the docking device 1100 can include atraumatic distal and proximal tips. Fig. 22 shows a cross-section of the proximal tip of the docking device 1100, showing the respective geometries of the wire core 1160, for example, that can be made of NiTi, and a low friction cover layer 1170, for example, that can be made of ePTFE or another polymer. The low friction cover layer 1170 can extend slightly farther past the end of the wire core 1160 and taper down to a rounded tip. The rounded extension region provides space for the low friction cover layer 1170 to anchor to and around the wire core 1160, while also forming an atraumatic tip. The distal tip of the docking device devices herein (e.g., docking device 1100) can be constructed or arranged to have a similar structure.

[00126] Referring to Figs. 19 and 22, the docking device 1100 can optionally further include securing holes 1164 near each of the proximal tip and distal tip. The securing holes 1164 can be used to further secure the cover layer 1170 to the wire core 1160, for example, via a suture or other tie-down. This and/or similar securing measures can further prevent slipping or movement between the core 1160 and the cover layer 1170 during deployment and/or retrieval of the docking device 1100. Optionally, the cover layer 1170 can be adhered, melted, molded, etc. around the core without suturing.

[00127] In some embodiments, the distal tip of the docking device 1100 can be tapered slightly radially inwardly, for example, to be tangential to the circular shape formed by the coils of the central region 1110. Similarly, the stabilization coil/turn or the upper region 1130 of the docking device 1100 can also taper slightly radially

- 54 -

inwardly, for example, to be tangential (or have a portion that is tangential) to the circular shape formed by the coils of the central region 1110, and can also be, for example, pointed slightly upwards towards the atrial ceiling and away from the other coils of the docking device 1100. The upper region 1130 of the docking device 1100 can be configured in this manner as a precautionary measure, for example, in case the docking device 1100 is not placed in the desired position discussed above and slides towards the left ventricle, where the upper region 1130 could potentially come into contact with the mitral plane, or if the docking device 1100 is being implanted into a heart with an abnormal anatomy.

[00128] With respect to facilitating attachment of the docking device 1100 to a pusher/push rod or other advancement or retrieval mechanism in the delivery catheter, the proximal end of the docking device 1100 can further include a second hole or bore 1162. As illustrated in Fig. 22A, the hole or bore 1162 can be sized such that a holding device, such as a long release suture 1163, can be looped therethrough for connecting or attaching the docking device 1100 to the distal end of the pusher or other feature of the delivery catheter. The hole 1162 can be rounded and smooth to prevent unintended severing of the release suture. The release suture provides a more secure attachment of the docking device 1100 to the delivery catheter, and can also allow for a pulling retrieval of the docking device 1100 when retraction of the position of the docking device 1100, partial retrieval, or full retrieval is desired. Fig. 22C illustrates a closer view of the release suture 163 looped through the bore 1162 of the docking device 1100, where the exterior of the delivery catheter 1010 has been cut away. A pusher device 1165 is configured as a pusher tube with a lumen extending therethrough, e.g., from end to end. The suture in this embodiment runs through a longitudinal bore through the pusher device/tube 1165 held within the delivery catheter 1010. Meanwhile, once a desired positioning of the docking device 1100 has been achieved, the physician or other

- 55 -

user can simply cut a proximal portion of the release suture and pull the release suture proximally to pass the cut end of the suture out through the hole 1162, thereby releasing the docking device 1100 from the delivery catheter. In one embodiment, the suture can be looped and extended such that the suture extends from the bore 1162 through the pusher device/tube 1165 to a handle or hub external to the patient (the loop can be closed or open with two ends secured to the handle or hub). When cut, a portion of the suture can remain attached to the handle or hub (or be otherwise held by the health care provider), which can allow the suture to be pulled proximally until the cut end comes out of the bore 1162 to release the delivery device. Fig. 22B illustrates another embodiment of looping the suture 1163 to the proximal end of the coil, through bore 1162.

[00129] Various further modifications can be made to either the distal tip or the proximal tip of any of the docking devices described herein, or both tips, which can make the docking device more robust. Fig. 23 shows a distal end of a coil skeleton or core of a docking device according to another embodiment of the invention. The distal end of the coil/core 710 can be made of or include Nitinol, another shape memory metal or material, and/or non-shape memory materials. The distal end of the coil/core 710 has a substantially flat or rectangular cross-section, with a distal ring-shaped tip 712. The rectangular cross-section shown can either be shaped in such manner only at a distal end of the coil 710, or can extend for the length of the coil 710, while in other embodiments, the entire coil 710, including the distal end region, can have a more round cross-section or otherwise shaped cross-section. The ring-shaped tip 712 has an enlarged or expanded width compared to other portions of the coil/core 710, and defines a through hole 714 to facilitate passing through of one or more sutures. A free end 716 of the ring-shaped tip 712 can be arranged as a circular or otherwise curved arc, while an opposite proximal end 718 of the tip 712 can be formed as a rounded or tapered transition portion between the tip 712 and an adjacent region of the coil 710. Near the distal tip 712, the coil 710

- 56 -

can further include one or more cover anchoring holes 720 to further assist in anchoring a cover layer that is placed over and attached to the coil 710.

[00130] A cover layer that covers the coil skeleton/core 710 of the docking device can be, for example, one or more of the coverings or layers (e.g., low friction and/or high friction covering(s)) previously described. The cover layer can be made of or include, for example, an ePTFE core tube that is wrapped with a woven PET cloth, or can be made of or include any other fabric or other biocompatible material. Such a cover layer can be used to cover a majority of the docking device, for example, from a main body of the coil skeleton/core 710 up to or slightly over the end 718 of the distal tip 712. The cover layer can then be connected to the ring-shaped distal tip 712, for example, via sutures that are passed through the through hole 714 and that go on top of and cover the arched free end region 716. The sutures serve to anchor the cover layer to the coil skeleton/core 710, and also serve to soften the margins of the ring-shaped distal tip 712. Additional sutures can also be passed through the one or more cover anchoring holes 720 near the distal tip 712, to provide additional anchoring of the cover layer to the coil skeleton/core 710.

[00131] Fig. 24 shows a distal end of a coil skeleton or core of a docking device that can be used with any of the docking devices described herein. The distal end of the coil/core 810 can also be made of or include Nitinol, another shape memory metal or material, and/or other non-shape memory materials. The distal end of the coil/core 810 has a distal ball-shaped tip 812. The ball-shaped tip 812 can be preformed with the rest of the coil skeleton/core 810, or can be a separate ball-shaped or a short cudgel-shaped addition with a rounded end that is welded to or otherwise attached to the distal end of the coil/core 810. Meanwhile, a small gap 814 is formed or left between the ball-shaped tip 812 and the rest of the coil/core 810. The gap 814 can be approximately 0.6 mm or any other size that is sufficient to facilitate passing through and/or crossing over of one

- 57 -

or more sutures for anchoring or otherwise connecting a cover layer to the distal end of the coil/core 810.

[00132] One or more cover layer(s) or covering(s) that covers the coil skeleton/core 810 of the docking device can be similar to previously described cover layers or coverings. The cover layer(s)/covering(s) can be made of or include, for example, an ePTFE core tube that is wrapped with a woven PET cloth, or can be made of or include any other fabric or other biocompatible material. In one attachment method, such a cover layer/covering covers a main body of the coil skeleton 810, over the gap 814, and up to or slightly over the ball-shaped tip 812, while leaving a free end of the ball-shaped tip 812 exposed. The cover layer/covering is then connected to the distal end of the coil 810, for example, via sutures that are passed through the gap 814. In a second attachment method, the entire ball-shaped tip 812 is wrapped with and fully covered by the cover layer, and sutures are then passed through and/or crossed over the gap 814 to anchor the entire cover layer over the end of the ball-shaped tip 812.

[00133] The distal tips 712, 812 as shown and described with respect to Figs. 23 and 24 provide their respective docking devices with distal ends that are rounded with compact noses that enable easier and more convenient navigation of their respective docking devices within the left ventricle. In addition, since each of the tips 712, 812 is curved or rounded, the tips 712, 812 form ends with soft edges. The shapes and structures at the distal ends of the respective coil skeletons 710, 810, the type, texture, and construction of the cover layer, and the suturing techniques for attaching the cover layer to the coil skeletons 710, 810 also allow for tight connections between the distal tips 712, 812 and the respective cover layers, without the use of glue or any other adhesives. Furthermore, the tip construction and arrangements prevent exposure of any sharp edges, and also prevent surfaces of the coil skeletons 710, 810 from cutting and/or

- 58 -

protruding out of the cover layers, as a result of any friction forces that are applied to the cover layers of the docking devices during or after delivery.

[00134] As discussed above, in some embodiments, the docking device can be attachable to a pusher that can more easily facilitate pushing and pulling of the docking device for delivery and readjusting purposes. Fig. 25 shows a proximal end of a coil skeleton/core 910 of a docking device 900 (which can be the same as or similar to other docking devices described herein), and Fig. 26 shows the proximal end of the docking device 900, with a cover layer 920 over the coil skeleton/core 910, and sutures 930 attaching the cover layer 920 to the coil skeleton/core 910.

[00135] Referring first to Fig. 25, the coil skeleton/core 910 of the docking device 900 has a proximal end region that has a substantially flat or rectangular cross-section, similar to the cross-section of the distal end of the coil/core 710 discussed above. The rectangular cross-section shown can either be shaped in such manner only at the proximal end region of the coil/core 910, or can extend for the length of the coil/core 910, while in other embodiments, the entire coil/core 910, including the proximal end region, can have a more round cross-section or otherwise shaped cross-section. An oval or elongate slit hole 912 extends through the proximal end region of the coil/core 910, where two flanks 914, 916 of the coil/core 910 extend along either side of the slit hole 912 to connect the proximal free end 918 of the coil/core 910 to the rest of the coil/core 910. The slit hole 912 has a width that is sufficient for passing through or crossing of a needle and/or one or more sutures 930.

[00136] As shown in Fig. 26, the covering/cover layer 920 can be, for example, a covering, fabric layer, or other layer the same as or similarly constructed as discussed above with respect to previous embodiments of the docking device. The covering/cover layer 920 is wrapped around the coil skeleton/core 910, and is anchored to or otherwise secured to the coil/core 910 by sutures 930 that run along and are passed through the slit

- 59 -

hole 912. The sutures 930 can be crossed through the slit hole 912 in an “8” shape, as shown in Fig. 26, where a suture 930 is passed through the slit hole 912 at least twice and is wrapped around the opposite flanks 914, 916 of the coil/core 910 adjacent to the slit hole 912 at least one time each. In the embodiment shown, the suture 930 is passed through the slit hole 912 at least four times, and is wrapped around the flanks 914, 916 at either side of the slit hole 912 at least two times each. The sutures 930 are positioned at or moved towards a proximal portion of the slit hole 912, near the free end 918 of the coil skeleton/core 910, so that a distal end of the slit hole 912 remains exposed and accessible to a user, and stays open and large enough, for example, for a pull wire 940 (e.g., a release suture) of a pusher of the delivery catheter to pass or cross through, thereby establishing a secure connection between the docking device 900 and the pusher. The pull wire 940 can be a suture.

[00137] When the docking device 900 is connected to the pusher via the pull wire 940, either a distal end of the pusher (not shown) abuts against the proximal free end of the docking device 900 or the pull wire 940 abuts against the distal end of the slit hole 912, in order to advance the docking device 900 out of the delivery catheter. Meanwhile, when it is desired for the docking device 900 to be pulled back or retracted, for example, for readjusting a position of the docking device 900 at the implant site, the pull wire 940 can be pulled proximally to retract the docking device 900 proximally as well. Similar steps can be used with other docking devices herein. When the pull wire 940 is pulled back, the pull wire abuts against the sutures 930 that extend through the slit hole 912, which by virtue of the “8” shape suturing, forms a cross suture region that serve to provide a cushioned landing region against which the pull wire 940 can abut. Therefore, the sutures 930 serve to anchor and attach the cover layer 920 to the coil skeleton/core 910, while also masking or covering the sharp edges of the slit hole 912, to protect the pull wire 940 from being damaged or ruptured by the docking device 900, and

- 60 -

conversely to protect the docking device 900 from being damaged by the pull wire 940, during retrieval or other pulling of the docking device 900.

[00138] Like the distal end arrangements discussed with respect to Figs. 23 and 24, the shape and structure at the proximal end of the coil skeleton/core 910, the type, texture, and construction of the covering/cover layer 920, and the connection technique (e.g., suturing technique) for attaching the covering/cover layer 920 to the coil skeleton/core 910, each contributes to a tight connection between the proximal end of the coil 910 and the covering/cover layer 920, and can be done without the use of glue or any other adhesives (e.g., the suturing technique does not require these). Furthermore, the tip construction and arrangement prevents exposure of any sharp edges, and also prevents surfaces of the coil skeleton/core 910 from cutting and/or protruding out of the covering/cover layer 920, as a result of any friction forces that are applied to the covering/cover layer 920 of the docking device 900 during or after delivery.

[00139] In various other embodiments, any or all of the different features from the different embodiments discussed above can be combined or modified, based on the needs of each individual patient. For example, the different features associated with the various different issues (e.g., flexibility, increasing friction, protection) can be incorporated into docking devices as needed for each individual application, based on a particular patient's specific characteristics or requirements.

[00140] Embodiments of docking devices herein have generally been discussed above with respect to helping anchor replacement valves at the mitral position. However, as has also been mentioned above, the docking devices, as described or slightly modified versions thereof, can also be applied in similar manners to valve replacements at other valve sites as well, for example, at the tricuspid, pulmonary, or aortic positions. Patients that are diagnosed with insufficiencies at either position can exhibit enlarged annuli that both prevent the native leaflets from properly coapting, and that also can cause the annuli

- 61 -

to become too large, too soft, or too otherwise diseased to securely hold an expandable valve therein. Therefore, use of a rigid or semi-rigid docking device can also be beneficial for anchoring a replacement valve at those valve sites as well, for example, to prevent the replacement valves from dislodging during normal heart function.

[00141] The docking devices herein can further be covered with one or more coverings or cover layers, similarly as discussed above. In addition, cover layer(s) for any of these applications can also be made of or include a material that promotes more rapid tissue ingrowth. The cover layer can further be constructed to have a larger amount of surface area, for example, with a velour film, porous surface, braided surface, etc., to further bolster tissue ingrowth.

[00142] Docking devices similar to those discussed above, when applied to valves other than the mitral valve, can also provide a more secure landing zone at those sites as well. The docking devices and associated replacement valves can be applied similarly as has been discussed with respect to implantation at the mitral valve. A possible access point for tricuspid replacement can be, for example, transseptal access, while a possible access point for aortic replacement can be, for example, transfemoral access, although access to the respective valve sites is not limited thereto. The use of coil-shaped docking devices as previously described at the other valve sites can also serve to circumferentially cinch or clamp the native leaflets after deployment of the replacement valve at the native annulus, for example, by virtue of the leaflets and other tissue being sandwiched between coils of the docking device and being held in place by a spring force of the docking device, which further prevents slipping or other movement of the docking device and of the sandwiched tissue relative to the docking device, and prevents unwanted growth or expansion of the native annulus over time.

[00143] For purposes of this description, certain aspects, advantages, and novel features of the embodiments of this disclosure are described herein. The disclosed

- 62 -

methods, apparatus, and systems should not be construed as being limiting in any way. Instead, the present disclosure is directed toward all novel and nonobvious features and aspects of the various disclosed embodiments, alone and in various combinations and sub-combinations with one another. The methods, apparatus, and systems are not limited to any specific aspect or feature or combination thereof and can be combined, nor do the disclosed embodiments require that any one or more specific advantages be present or problems be solved.

[00144] Although the operations of some of the disclosed embodiments are described in a particular, sequential order for convenient presentation, it should be understood that this manner of description encompasses rearrangement, unless a particular ordering is required by specific language set forth below. For example, operations or steps described sequentially can in some cases be rearranged or performed concurrently. Moreover, for the sake of simplicity, the attached figures may not show the various ways in which the disclosed methods can be used in conjunction with other methods. Additionally, the description sometimes uses terms like “provide” or “achieve” to describe the disclosed methods. These terms are high-level abstractions of the actual operations that are performed. The actual operations that correspond to these terms can vary depending on the particular implementation and are readily discernible by one of ordinary skill in the art.

[00145] In view of the many possible embodiments to which the principles of the disclosure can be applied, it should be recognized that the illustrated embodiments are only preferred examples and should not be taken as limiting the scope of the disclosure. Rather the scope of the disclosure is defined by the following claims.

- 63 -

WHAT IS CLAIMED IS:

1. A docking device for docking a prosthetic valve at a native valve of a heart, the docking device comprising:
a coiled anchor that comprises:
a proximal tip and a distal tip;
at least one central turn having a first thickness and defining a central turn diameter;
an extension having a length extending from an upper end of the at least one central turn, the extension having a second thickness that is less than the first thickness;
an upper turn extending from an upper end of the transition portion, the upper turn having a third thickness that is greater than the second thickness;
and
wherein the coiled anchor is configured to be implanted at the native valve with at least a portion of the at least one central turn of the coiled anchor positioned in a chamber of the heart and around valve leaflets of the native valve.
2. The device of claim 1, wherein the first thickness is at least 0.8 mm and the second thickness is between 0.4 to 0.8 mm.
3. The device according to any one of claims 1 and 2, wherein the coil has a rectangular cross-sectional shape, and the first thickness and second thickness are widths.
4. The device according to any one of claims 1 and 2, wherein the coil has a circular or elliptical cross-sectional shape, and the first thickness and second thickness are diameters.
5. The device according to any one of claims 1-4, wherein the extension length is between 5 to 100 mm, and creates a vertical separation between the at least one central turn and the upper turn.

- 64 -

6. The device according to any one of claims 1-5, wherein the at least one central turn diameter is between 20 to 30 mm.
7. The device according to any one of claims 1-6, wherein the first thickness and the second thickness are the same.
8. The device according to any one of claims 1-7, further comprising a lower turn extending from the at least one full or partial central turn, the lower turn having the first thickness and defining a lower turn diameter that is greater than the central turn diameter.
9. The device of claim 8, wherein the third thickness is the same as the first thickness and wherein the upper turn comprises a first diameter along a first axis and a second diameter along a second axis,
wherein the first axis diameter is greater than the central turn diameter,
and
wherein the second axis diameter is greater than the central turn diameter and less than the lower turn diameter.
10. The device according to any one of claims 8 and 9, wherein the lower turn diameter is between 30 to 75 mm.
11. The device of claim 9, wherein the first axis diameter is between 40 to 75 mm and the second axis diameter is larger than the diameter defined by the central turn.
12. The device according to any one of claims 9 and 11, wherein the first axis diameter is between 40 to 80 mm, and the second axis diameter is between 20 to 80 mm.
13. The device according to any one of claims 1-12, wherein the at least one central turn comprises between one-half to 5 turns, and the upper turn comprises between one-half to one turn.

- 65 -

14. The device according to any one of claims 8-10, wherein the lower turn comprises between 1 and 5 turns.
15. The device according to any one of claims 1-14, further comprising a cover layer comprised of a biocompatible material, wherein the cover layer surrounds the coiled anchor.
16. The device according to claim 15, wherein the cover layer comprises pores having a diameter of 30 to 100 microns.
17. The device according to any one of claims 15 and 16, wherein the cover layer extends at least along the portion of the coiled anchor that is configured to be in contact with a replacement valve.
18. The device according to any one of claims 15-17, wherein the coiled anchor further comprises securing holes near each of the proximal and distal tips.
19. The device of claim 18 wherein the cover layer is secured to the coiled anchor with sutures extending through the securing holes of the coiled anchor and through the cover layer.
20. The device according to any one of claims 15-19, further comprising a friction enhancing element that comprises a second cover layer surrounding and extending along at least a length of portion of the length of the cover layer, wherein the second cover layer is connected to the first cover layer by sutures and provides a coefficient of friction of at least 1.
21. The device of claim 20, wherein the second cover layer is a braided material.
22. The device according to any one of claims 20 and 21, wherein the second cover layer is a woven material.
23. The device according to any one of claims 20-22, wherein the second cover layer comprises pores having a diameter ranging in size from 30 to 100 microns.

- 66 -

24. The device according to any one of claims 17-19, further comprising at least one friction enhancing element that comprises a plurality of bulges on the surface of the coiled anchor or on the surface of the cover layer.
25. The device according to any one of claims 1-19, further comprising at least one friction enhancing element that comprises a plurality of lock and key cutouts in the outer surface of the coiled anchor.
26. The device of claim 25, wherein the lock cutouts are grooves formed in the outer surface of the coiled anchor, and the keys are protrusions extending outward from the coiled anchor, sized and shaped to fit into the lock cutouts.
27. The device according to any one of claims 1-19, further comprising a suture removeably threaded through a bore at the proximal tip and configured to be connected to a pusher device within a delivery catheter for retrieving the docking device.
28. The device of claim 27, wherein the suture is removeably threaded through the bore at a location along a length of the suture and then the suture ends are threaded through a space between the central point of the suture and the proximal tip of the coiled anchor.
29. The device according to any one of claims 1-28, further comprising a low friction cover layer, the low friction cover layer having a distal end and a proximal end, surrounding the coiled anchor and extending along a length of the coiled anchor, past the distal tip, and past the proximal tip, the low friction cover layer having a rounded or tapered tip at its distal end and at its proximal end.
30. The device according to any one of claims 1-28, wherein the distal tip of the coiled anchor is tapered slightly radially inward in a direction tangential to a circular shape formed by the central turn.

- 67 -

31. The device according to any one of claims 1-28, wherein the proximal tip of the coiled anchor is tapered slightly radially inwardly and is pointed in an upward direction.
32. A system for implanting a docking device according to any one of claims 1-31 at the native valve, comprising:
a delivery catheter;
a suture threaded through a bore in a proximal end of the delivery device;
and
a pusher device disposable in the delivery catheter;
wherein the pusher device includes a central lumen;
wherein the suture is disposable in the central lumen such that pulling the suture and/or the pusher device proximally relative to the delivery catheter retracts the coiled anchor into the delivery catheter.
33. The system of claim 32, wherein the suture is threaded through the bore at a location along a length of the suture and then the suture ends are threaded through a space between the central point of the suture and the proximal end of the coiled anchor.
34. A docking device for docking a prosthetic valve at a native valve of a heart, the docking device comprising:
a coiled anchor that comprises:
at least one central turn defining a central turn diameter;
a lower turn extending from the at least one central turn defining a diameter that is greater than the central turn diameter;
an upper turn connected to the at least one central turn, the upper turn being shaped to have a first diameter along a first axis and a second diameter along a second axis,
wherein the first axis diameter is greater than the central turn diameter,
and

- 68 -

wherein the second axis diameter is greater than the central turn diameter and less than the lower turn diameter; and

wherein the coiled anchor is configured to be implanted at the native valve with at least a portion of the at least one central turn of the coiled anchor positioned in a chamber of the heart and around valve leaflets of the native valve.

35. The device according to claim 34, wherein the at least one central turn defines a diameter between 20 to 30 mm.
36. The device according to any one of claims 34 and 35, wherein the lower turn defines a diameter between 30 to 75 mm.
37. The device according to any one of claims 34-36, wherein the first axis diameter is between 40 to 80 mm, and the second axis diameter is between 20 to 80 mm.
38. The device according to any one of claims 34-36 wherein the first axis diameter is 40 to 75 mm, and the second axis diameter is larger than the diameter defined by the at least one central turn.
39. The device according to any one of claims 34-38, wherein the coiled anchor comprises a coiled wire having a rectangular cross-sectional shape with a thickness of at least 0.8 mm.
40. The device according to any one of claims 34-38, wherein the coiled anchor comprises a coil that has a circular or elliptical cross-sectional shape with a thickness of at least 0.8 mm.
41. The device according to any one of claims 34-40, wherein the at least one central turn comprises between one half rotation turn to five full-rotation turns, the upper turn comprises between one half turn to one turn, and the lower turn comprises between one half turn to five turns.

- 69 -

42. The device according to any one of claims 34-41, further comprising a suture removeably threaded through a bore in the coiled anchor and configured to be connected to a pusher device within a delivery catheter to provide a means for retrieving the docking device.
43. The device of claim 42, wherein the suture is removeably threaded through the bore at a location along a length of the suture and then the suture ends are threaded through a space between the central point of the suture and the proximal end of the coiled anchor.
44. The device according to any one of claims 34-43, further comprising a low friction cover layer, having a distal end and a proximal end, surrounding the coiled anchor and extending along a length of the coiled anchor, past a distal tip of the coiled anchor, and past a proximal tip of the coiled anchor, the low friction cover layer tapering to a rounded tip at its distal end and at its proximal end.
45. The device of claim 44, wherein the distal tip of the coiled anchor is tapered slightly radially inward in a direction tangential to a circular shape formed by the central turn.
46. The device of claim 44, wherein the proximal tip of the coiled anchor is tapered slightly radially inwardly and is pointed in an upward direction.
47. The device according to any one of claims 34-46, wherein the coiled anchor further comprises an extension having a length extending from an upper end of the central turn comprising a second thickness that is less than a first thickness of the upper turn.
48. The device accordingly to any one of claims 34-47, wherein at least a portion of the extension extends vertically at an angle of between 70–110 degrees relative to the at least one central turn.

- 70 -

49. A system for implanting a docking device according to any one of claims 34-48 at the native valve, comprising:
- a delivery catheter;
 - a suture threaded through a bore in a proximal end of the delivery device;
- and
- a pusher device, wherein the pusher device includes a central lumen;
 - wherein the pusher device is disposable in the delivery catheter and the suture is disposable in the central lumen such that pulling the suture and/or the pusher device proximally relative to the delivery catheter retracts the coiled anchor into the delivery catheter.
50. A docking device for docking a prosthetic valve at a native valve of a heart, the docking device comprising:
- a coiled anchor that comprises:
 - a proximal tip and a distal tip;
 - at least one full or partial central turn defining a diameter;
 - an upper turn connected to the at least one full or partial central turn;
 - a cover layer surrounding the coiled anchor along at least a part of the at least one full or partial central turn, and wherein the cover layer is connected to the coiled anchor;
 - at least one friction enhancing layer disposed over the cover layer, wherein the at least one friction enhancing layer is disposed over at least a portion of the at least one full or partial central turn and no portion of the upper turn is covered by the friction enhancing layer; and
 - wherein the coiled anchor is configured to be implantable at the native valve with at least a portion of the at least one full or partial central turn of the coiled anchor positioned in a chamber of the heart and around valve leaflets of the native valve.
51. The device according to claim 50, wherein the cover layer comprises pores having a diameter of 30 to 100 microns.

- 71 -

52. The device according to any one of claims 50 and 51, wherein the cover layer extends at least along a portion of the coiled anchor that is configured to be in contact with a replacement valve.
53. The device of according to any one of claims 50-52, wherein the coiled anchor further comprises securing holes near each of the proximal and distal tips.
54. The device of claim 53 wherein the cover layer is secured to the coiled anchor with sutures extending through the securing holes of the coiled anchor and through the cover layer.
55. The device according to any one of claims 50-54, wherein the friction enhancing layer is connected to the first cover layer by sutures and provides a coefficient of friction of at least 1.
56. The device according to any one of claims 50-55, wherein the friction enhancing layer is a braided material.
57. The device according to any one of claims 50-56, wherein the friction enhancing layer is a woven material.
58. The device according to any one of claims 50-57, further comprising a lower turn extending from a lower end of the at least one full or partial central turn.
59. The device according to any one of claims 50-58, further comprising at least two radiopaque markers positioned along the at least one full or partial central turn.
60. The device according to any one of claims 50-57, and 59, wherein the at least one full or partial central turn defines a diameter between 20 to 30 mm, wherein a lower turn extending from the central turn defines a diameter between 30 to 75 mm, and wherein the upper turn has a first axis diameter between 40 to 80 mm and a second axis diameter between 20 to 80 mm.

- 72 -

61. The device according to any one of claims 50-60, further comprising a suture removeably threaded through a bore at the proximal tip and configured to be connected to a pusher device within a delivery catheter to provide a means for retrieving the docking device.
62. The device of claim 61, wherein the suture is removeably threaded through the bore at a location along a length of the suture and then the suture ends are threaded through a space between the central point of the suture and the proximal end of the coiled anchor.
63. The device according to any one of claims 50-62, wherein the cover layer is a low friction cover layer, having a distal end and a proximal end, surrounding the coiled anchor and extending along a length of the coiled anchor, past the distal tip, and past the proximal tip, the low friction cover layer tapering to a rounded tip at its distal end and at its proximal end.
64. The device according to any one of claims 50-63, wherein the distal tip of the coiled anchor is tapered slightly radially inward in a direction tangential to a circular shape formed by the central turn.
65. The device according to any one of claims 50-64, wherein the coiled anchor further comprises an extension having a length extending from an upper end of the central turn comprising a second thickness that is less than the thickness of the upper turn.
66. A docking device for docking a prosthetic valve at a native valve of a heart, the docking device comprising:
a coiled anchor that comprises:
 - a proximal tip and a distal tip;
 - at least one full or partial central turn defining a diameter;
 - an upper turn connected to the at least one full or partial central turn;

- 73 -

a cover layer surrounding the coiled anchor along at least a part of the at least one full or partial central turn, and wherein the cover layer is connected to the coiled anchor;

at least one friction enhancing element that comprises a plurality of bulges on the surface of the coiled anchor or on the surface of the covering; and

wherein the coiled anchor is configured to be implantable at a native valve with at least a portion of the at least one full or partial central turn of the coiled anchor positioned in a chamber of the heart and around valve leaflets of the native valve.

67. The device according to any one of claims 66, wherein the cover layer extends at least along the portion of the coiled anchor that is configured to be in contact with a replacement valve.
68. The device according to any one of claims 66 and 67, wherein the coiled anchor further comprises securing holes near each of the proximal and distal tips, and wherein the cover layer is secured to the coiled anchor with sutures extending through the securing holes of the coiled anchor and through the cover layer.
69. The device according to any one of claims 66-68, wherein the friction enhancing element is a braided material.
70. The device according to any one of claims 66-69, wherein the friction enhancing element is a woven material.
71. The device according to any one of claims 66-70, further comprising at least two radiopaque markers positioned along the at least one full or partial central turn.
72. The device according to any one of claims 66-71, wherein the at least one full or partial central turn defines a diameter between 20 to 30 mm, wherein a lower turn extending from the central turn defines a diameter between 30 to

- 74 -

75 mm, and wherein the upper turn has a first axis diameter between 40 to 80 mm and a second axis diameter between 20 to 80 mm.

73. The device according to any one of claims 66-72, further comprising a suture removeably threaded through a bore at the proximal tip and configured to be connected to a pusher device within a delivery catheter to provide a means for retrieving the docking device.
74. The device of claim 73, wherein the suture is removeably threaded through the bore at a location along a length of the suture and then the suture ends are threaded through a space between the central point of the suture and the proximal end of the coiled anchor.
75. The device according to any one of claims 66-74, wherein the coiled anchor further comprises an extension having a length extending from an upper end of the central turn comprising a second thickness that is less than the thickness of the upper turn.
76. A docking device for docking a valve prosthesis at a native valve of a heart, the docking device comprising:
a coiled anchor that comprises:
a proximal tip and a distal tip;
at least one full or partial central turn defining a diameter;
an upper turn connected to the at least one full or partial central turn;
at least one friction enhancing element that comprises a plurality of lock and key cutouts in the outer surface of the coiled anchor; and
wherein the coiled anchor is configured to be implantable at the native valve with at least a portion of the at least one full or partial central turn of the coiled anchor positioned in a chamber of the heart and around valve leaflets of the native valve.

- 75 -

77. The device of claim 76 wherein the lock cutouts are grooves formed in the outer surface of the coiled anchor, and the keys are protrusions extending outward from the coiled anchor, sized and shaped to fit into the lock cutouts.
78. The device according to any one of claims 76 and 77, wherein the at least one full or partial central turn defines a diameter between 20 to 30 mm, wherein a lower turn extending from the central turn that defines a diameter between 30 to 75 mm, and wherein the upper turn has a first axis diameter between 40 to 80 mm and a second axis diameter between 20 to 80 mm.
79. The device according to any one of claims 76-78, further comprising a suture removeably threaded through a bore at the proximal tip and configured to be connected to a pusher device within a delivery catheter to provide a means for retrieving the docking device, wherein the suture is removeably threaded through the bore at a location along a length of the suture and then the suture ends are threaded through a space between the central point of the suture and the proximal end of the coiled anchor.
80. The device according to any one of claims 76-79, wherein the distal tip of the coiled anchor is tapered slightly radially inward in a direction tangential to a circular shape formed by the central turn, and wherein the proximal tip of the coiled anchor is tapered slightly radially inwardly and is pointed in an upward direction.
81. The device according to any one of claims 76-80, wherein the coiled anchor further comprises an extension having a length extending from an upper end of the central turn comprising a second thickness that is less than the thickness of the upper turn.
82. The device according to any one of claims 76-81, further comprising at least two radiopaque markers positioned along the at least one full or partial central turn.

- 76 -

83. A system for implanting a docking device at a native valve of a heart, comprising:
- a delivery catheter;
 - a docking device having a coiled anchor with a proximal tip, a distal tip, and a proximal end, wherein the proximal end includes a bore;
 - a suture threaded through the bore; and
 - a pusher device, wherein the pusher device includes a central lumen;
- wherein the pusher device can be disposed in the delivery catheter and the suture can be disposed in the central lumen such that pulling the suture can pull the coiled anchor against the pusher device and retracting the pusher device and suture proximally relative to the delivery catheter can retract the coiled anchor into the delivery catheter.
84. The system of claim 83, wherein the suture is threaded through the bore at a location along a length of the suture and then the suture ends are threaded through a space between the central point of the suture and the proximal end of the coiled anchor.
85. The system according to any one of claims 83 and 84, further comprising a low friction cover layer, having a distal end and a proximal end, surrounding the coiled anchor and extending along a length of the coiled anchor.
86. The system according to any one of claims 83-85, wherein the distal tip of the coiled anchor is tapered slightly radially inward in a direction tangential to a circular shape formed by the central turn, and wherein the proximal tip of the coiled anchor is tapered slightly radially inwardly and is pointed in an upward direction.
87. The system according to any one of claims 83-86, wherein the docking device further comprises an upper turn defining a first diameter, and a central turn connected to the upper turn, the central turn defining a diameter that is less than the first diameter.

- 77 -

88. The system of claim 87, wherein the docking device further comprises a lower turn connected to the central turn, the lower turn defining a diameter that is greater than a diameter defined by the central turn.
89. The system of any one of claims 83-88, further comprising a guide sheath that defines a guide sheath lumen in which the delivery catheter can be disposed.
90. A docking device for docking a prosthetic valve at a native valve of a heart, the docking device comprising:
a coiled anchor that comprises:
a proximal tip and a distal tip;
a hollow tube having a proximal end and a distal end;
a plurality of cuts through portions of the tube;
a wire having a length, a proximal end, and a distal end;
wherein the distal end of the wire is secured to a distal end of the hollow tube and the proximal end of the wire is secured to a proximal end of the hollow tube;
wherein the length of the wire extends through the hollow tube and applies a radially inward tension on the hollow tube;
wherein the hollow tube is configured to at least partially encircle leaflets of a native valve or other native tissue and provide a docking surface for an expandable valve.
91. The device of claim 90 wherein the cuts have a pattern and shape that incorporates both longitudinal and transverse cuts forming teeth and grooves in the hollow tube.
92. The device according to any one of claims 90 and 91, wherein the proximal end and distal end are crimped.
93. The device according to any one of claims 90-92, wherein a plurality of cuts in a lower turn of the coiled anchor are greater in size than cuts in central and upper turns of the coiled anchor.

- 78 -

94. The device according to any one of claims 90-92, wherein the distal end comprises at least one distal cut at the distal end and the proximal end comprises at least one proximal cut at the proximal end, wherein the distal cut and the proximal cut are sized and/or shaped differently from the plurality of cuts.
95. The device according to any one of claims 90-94, further comprising a central turn defining a diameter between 20 to 30 mm.
96. The device of claim 95, further comprising a lower turn extending from a lower end of the central turn defining a diameter greater than the central turn diameter, wherein the lower turn diameter is between 30 to 75 mm.
97. The device according to any one of claims 95 and 96, further comprising an upper turn extending from an upper end of the central turn, having a first diameter along a first axis and a second diameter along a second axis, wherein the first axis diameter is greater than the central turn diameter and wherein the second axis diameter is greater than the central turn diameter and less than the lower turn diameter.
98. The device according to any one of claims 90-97, wherein the coiled anchor has a rectangular cross-sectional shape, and a thickness of at least 0.8 mm.
99. The device according to any one of claims 90-97, wherein the coil has a circular or elliptical cross-sectional shape, with a thickness of at least 0.8 mm.
100. The device according to any one of claims 90-99, further comprising a suture removeably threaded through the bore and configured to be connected to a pusher device within a delivery catheter to provide a means for retrieving the docking device.
101. The device according to any one of claims 90-100, further comprising a low friction cover layer, having a distal end and a proximal end, surrounding the coiled anchor and extending along a length of the coiled anchor, past the

- 79 -

distal tip, and past the proximal tip, the low friction cover layer tapering to a rounded tip at its distal end and at its proximal end.

102. A method of implanting a docking device for a prosthetic valve at a native heart valve, comprising the steps of:
- positioning a distal end of a delivery catheter into a first chamber of a heart, wherein the delivery catheter contains a docking device in a first configuration inside the delivery catheter, and wherein the docking device is configured to transition to a second configuration having at least one central turn defining a central diameter, an extension having a length extending from an upper end of the at least one central turn, and an upper turn extending from an upper end of the extension when unconstrained by the delivery catheter;
 - advancing a distal end of the docking device from the delivery catheter, through a commissure of the native heart valve, and into a second chamber of the heart such that the docking device encircles chordae and/or native leaflets of the native valve, and wherein the docking device is advanced such that the upper end of the extension of the docking device is positioned in the first chamber;
 - releasing the upper turn of the docking device in the first chamber, such that the upper turn contacts a wall of the first chamber;
 - inserting a replacement valve in an inner space defined by the docking device;
 - and
 - radially expanding the replacement valve until there is a retention force between the replacement valve and the docking device to hold the replacement valve in a stable position.

FIG. 1

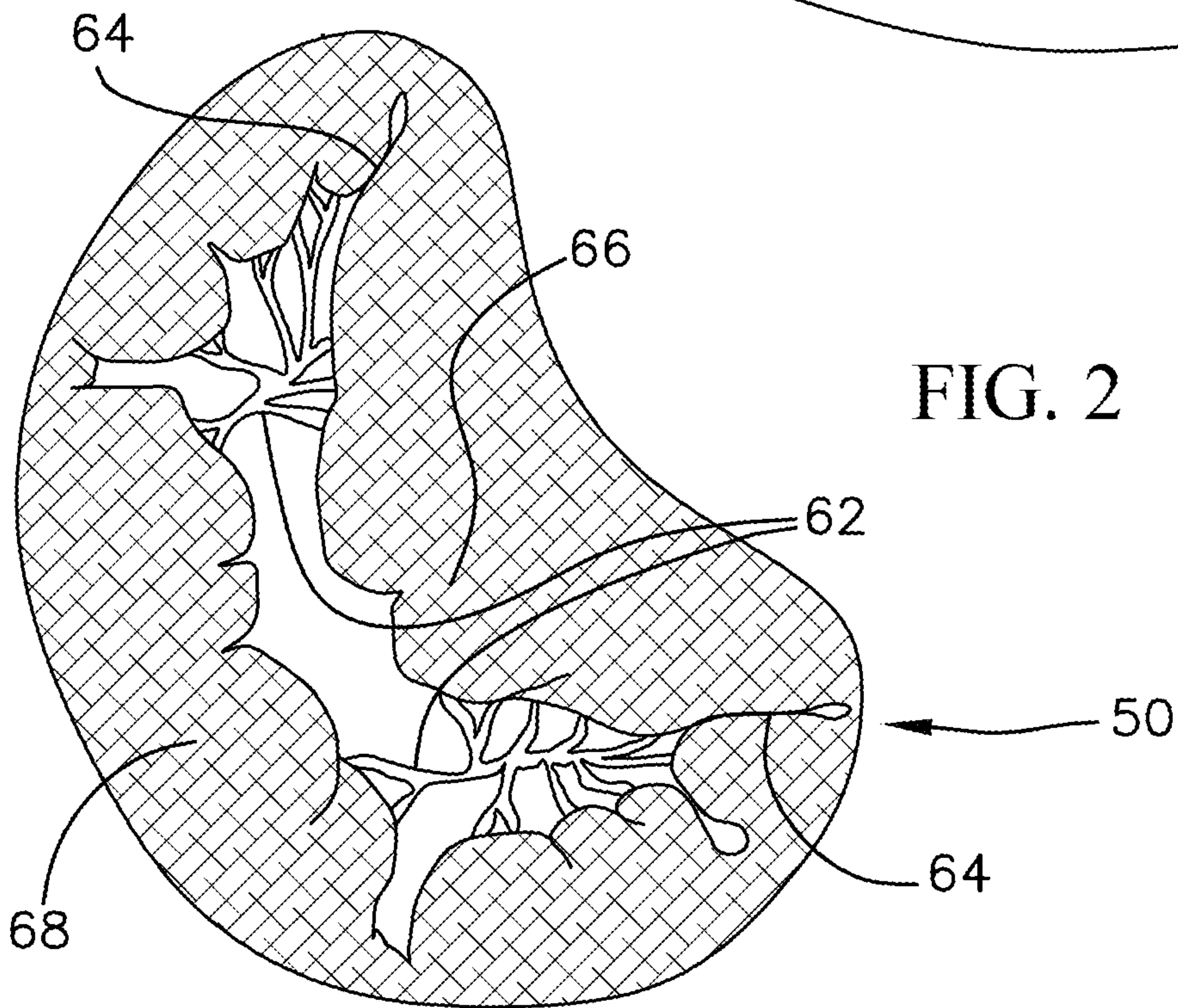
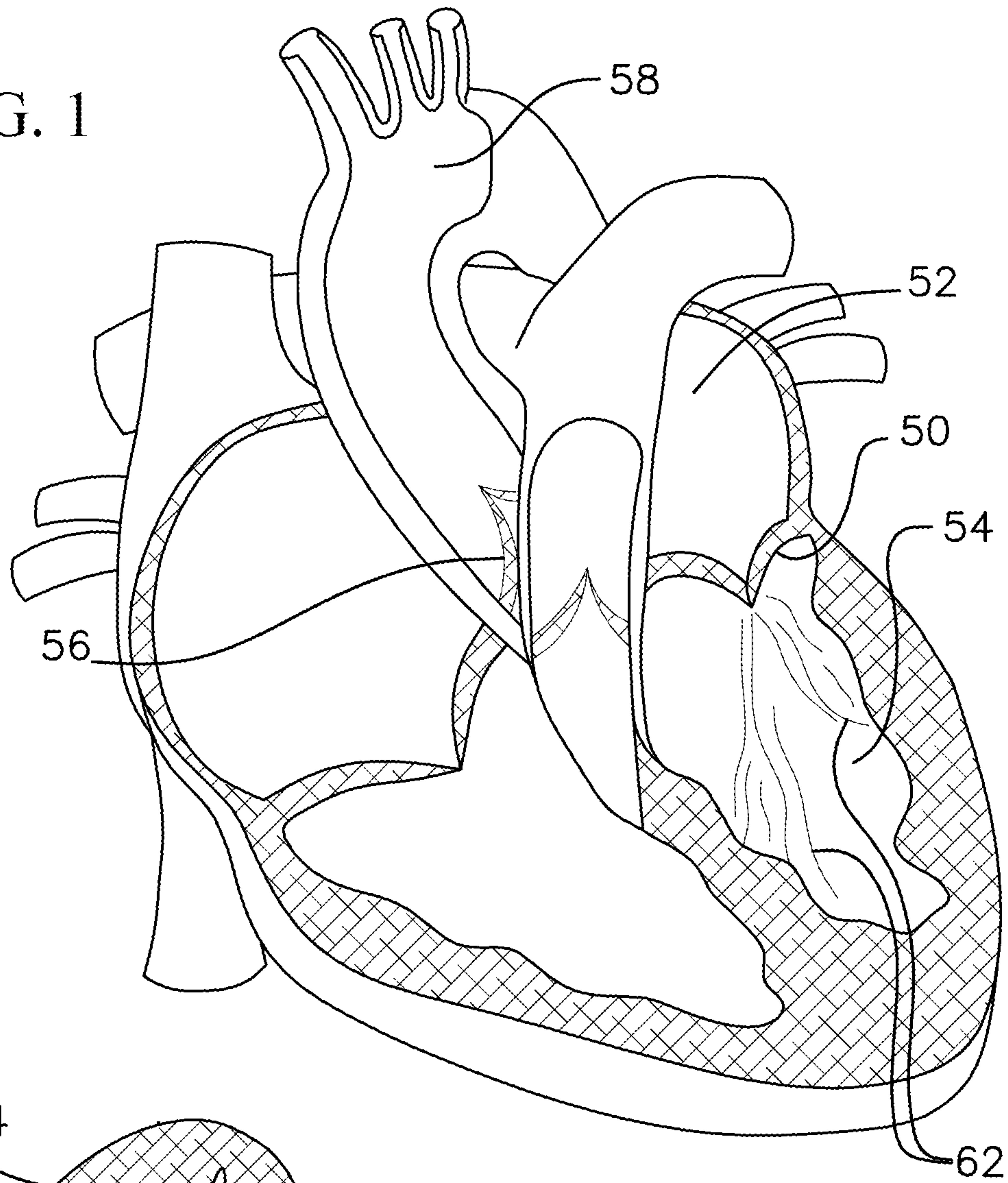


FIG. 2

FIG. 3

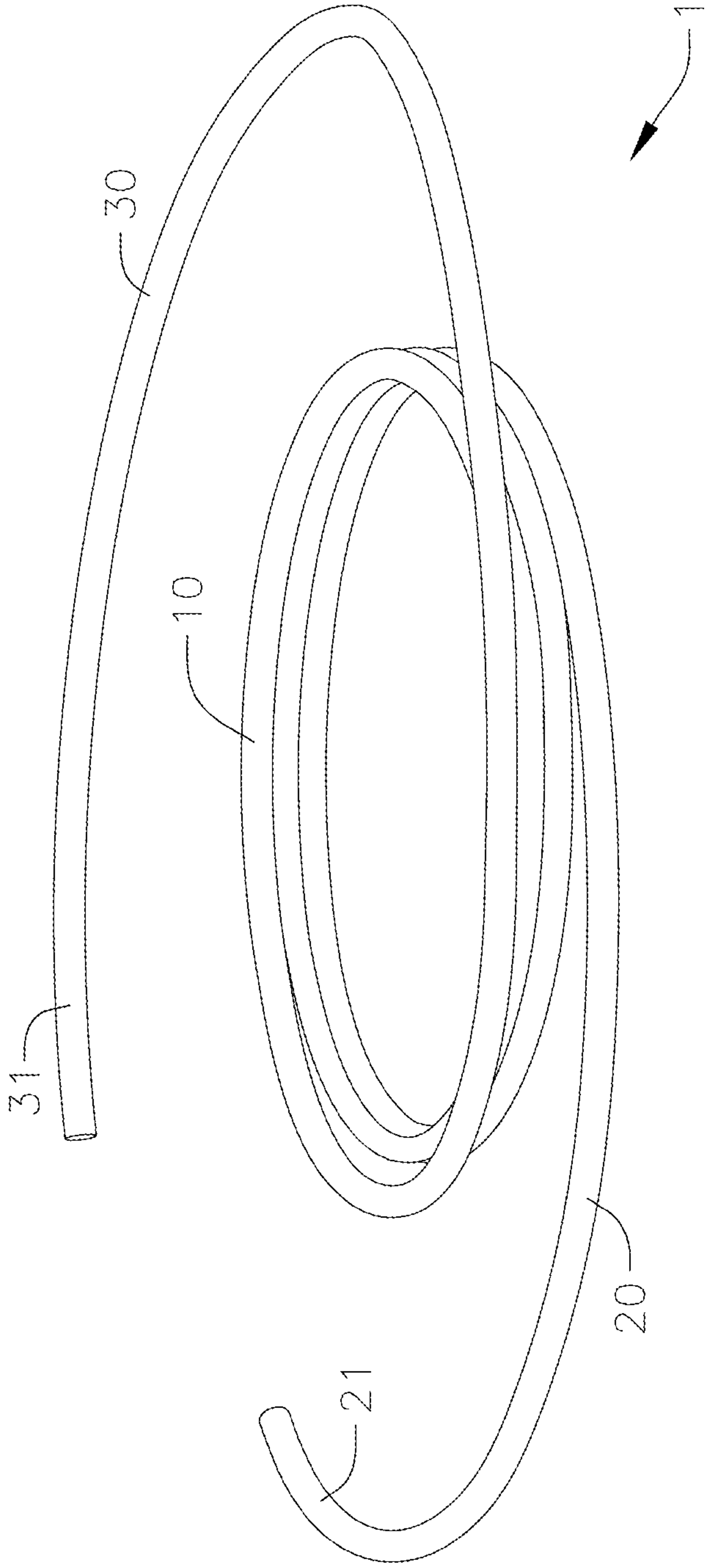


FIG. 4

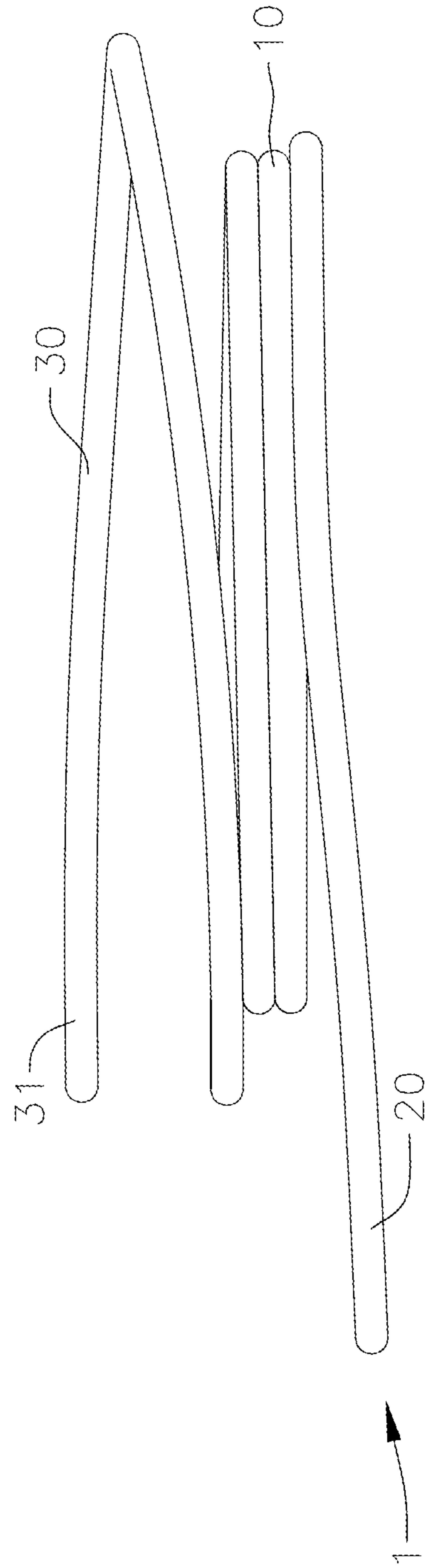


FIG.5

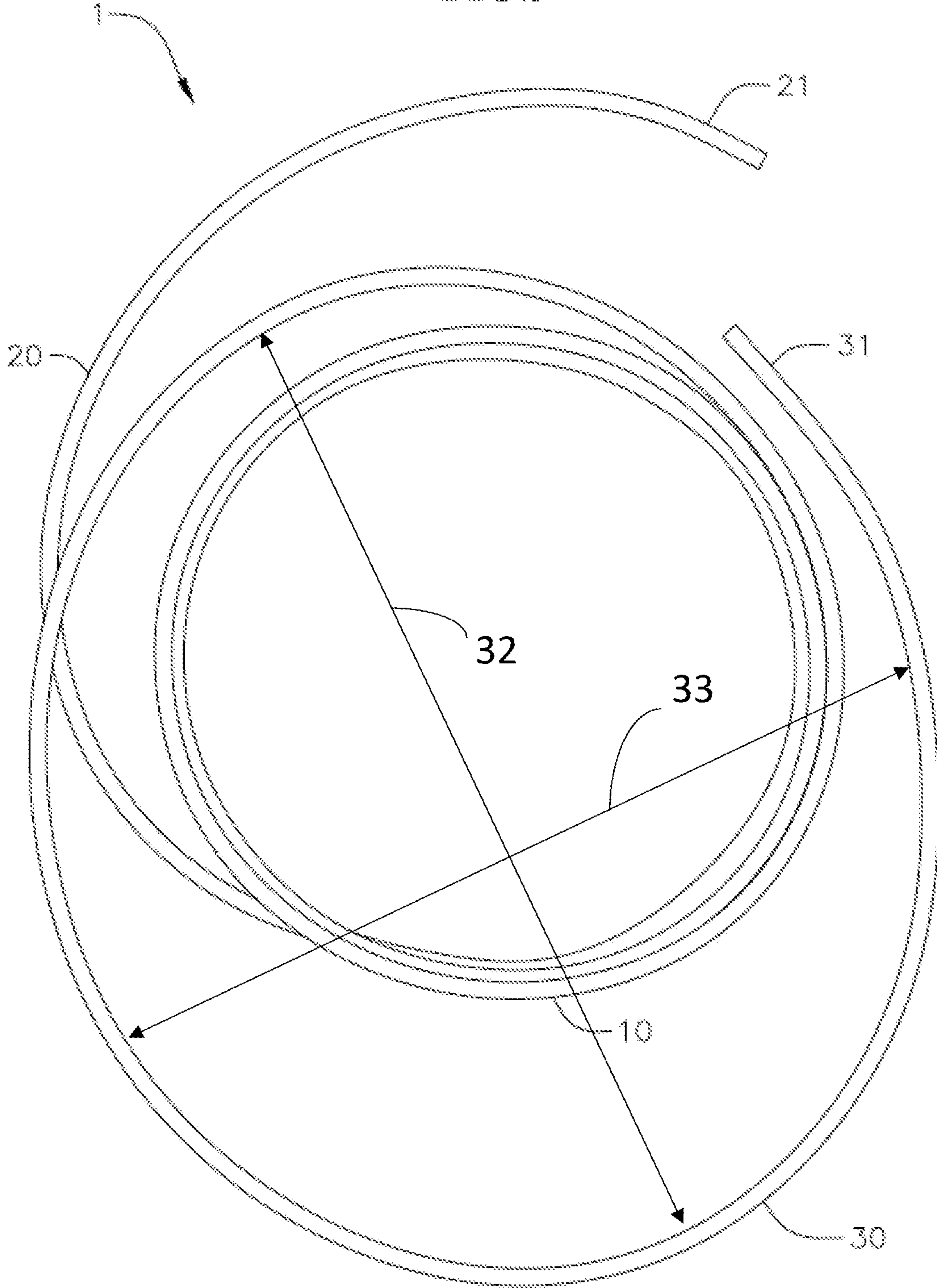


FIG. 6

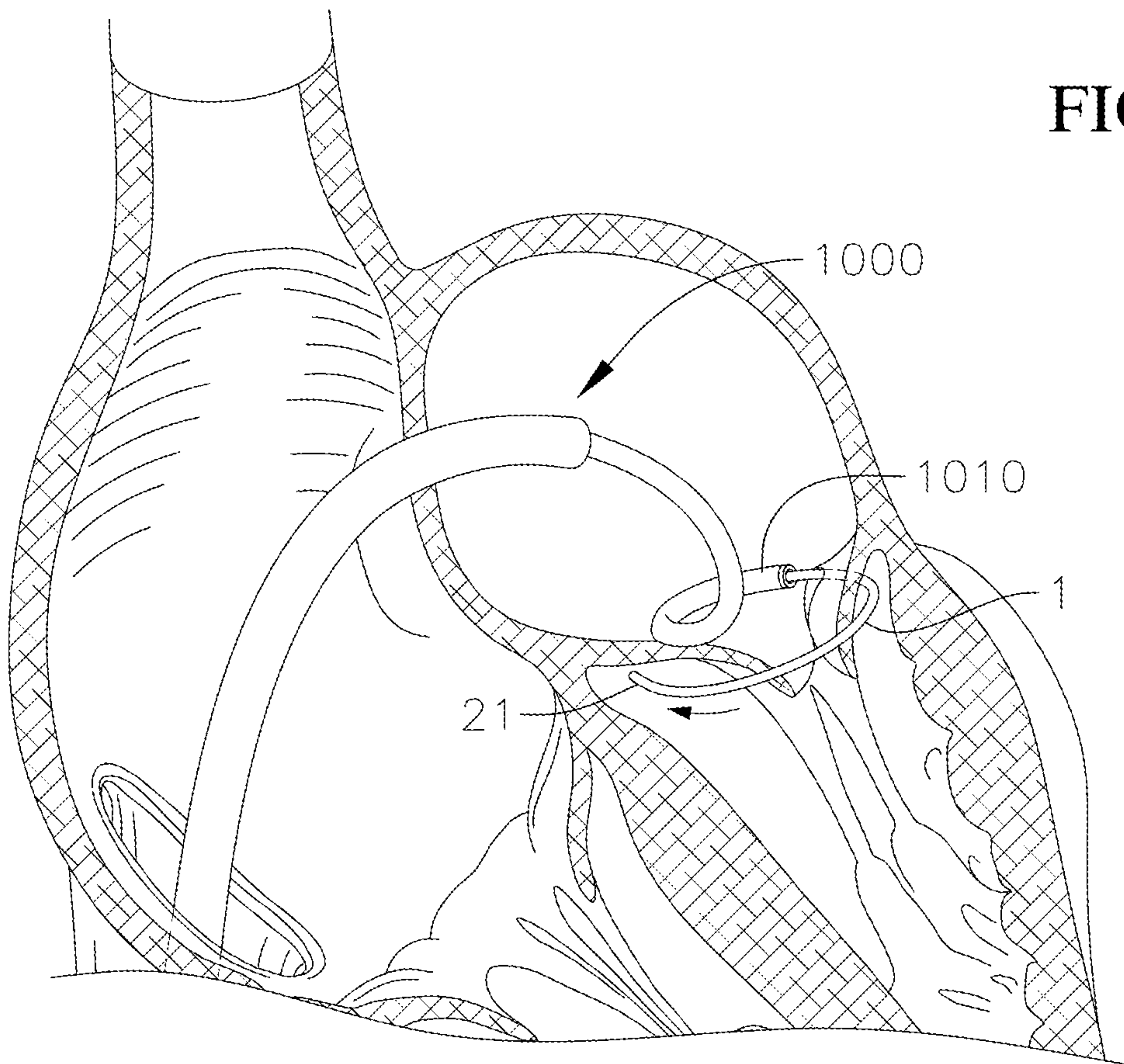


FIG. 7

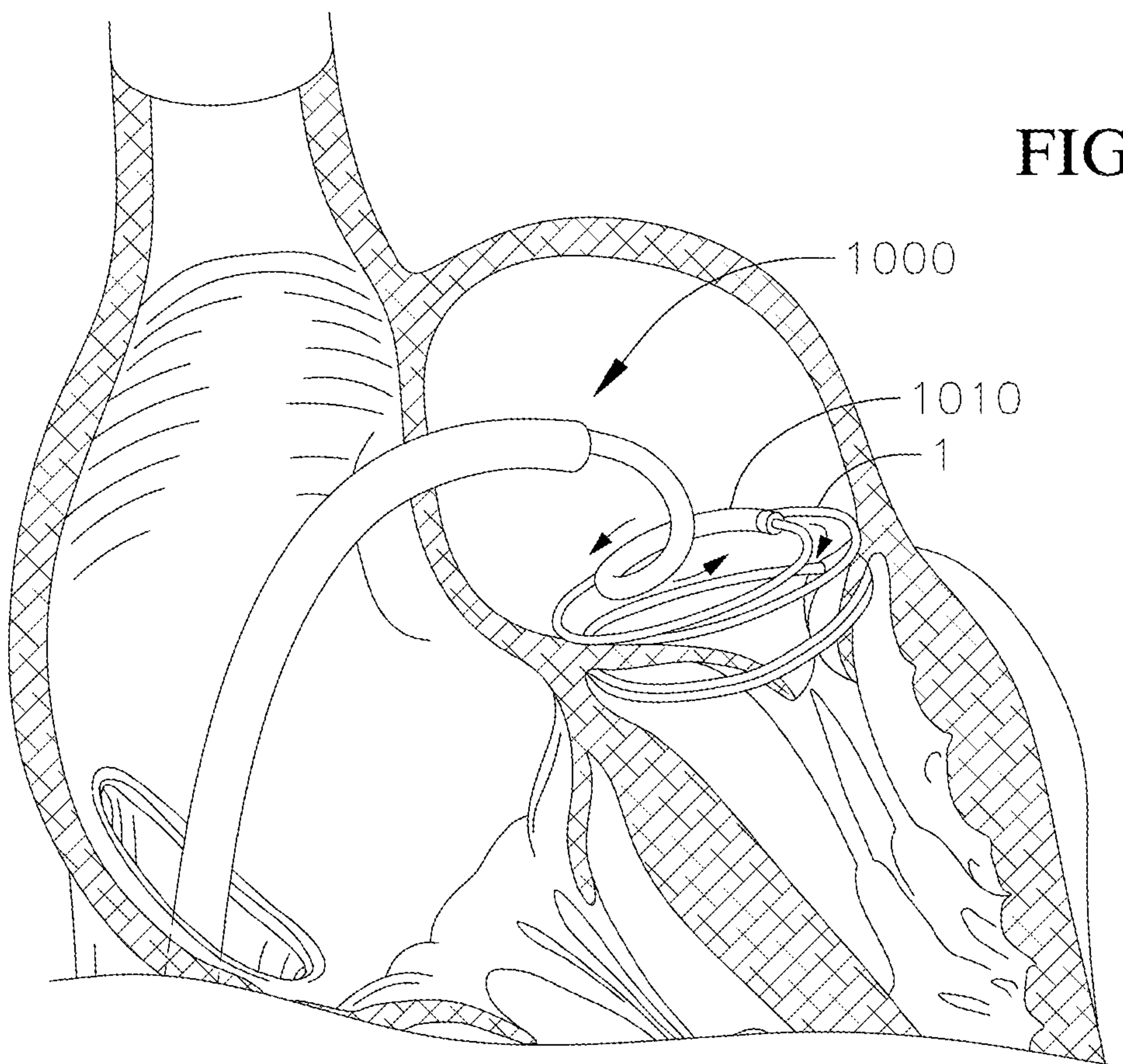


FIG. 8

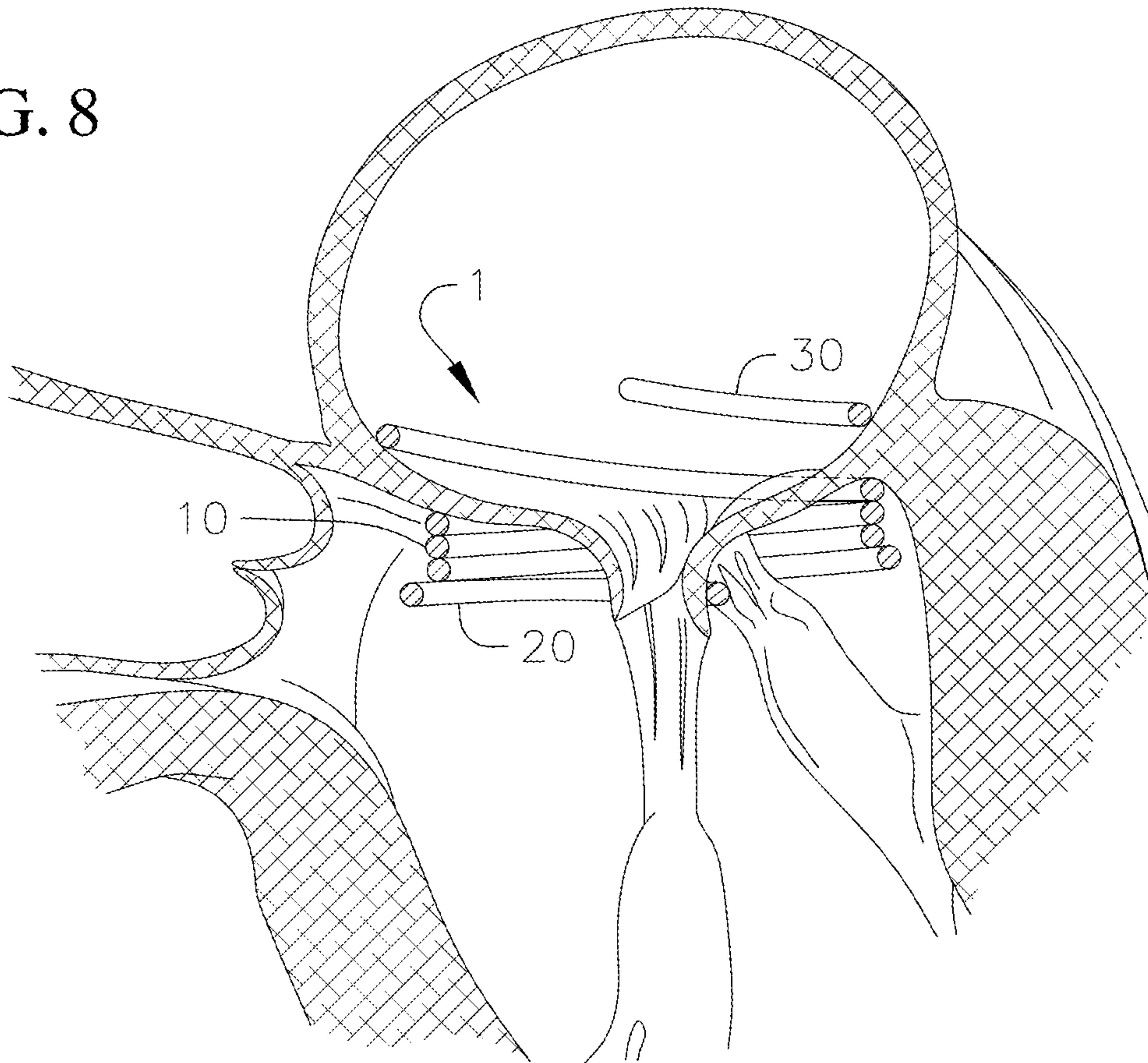


FIG. 9

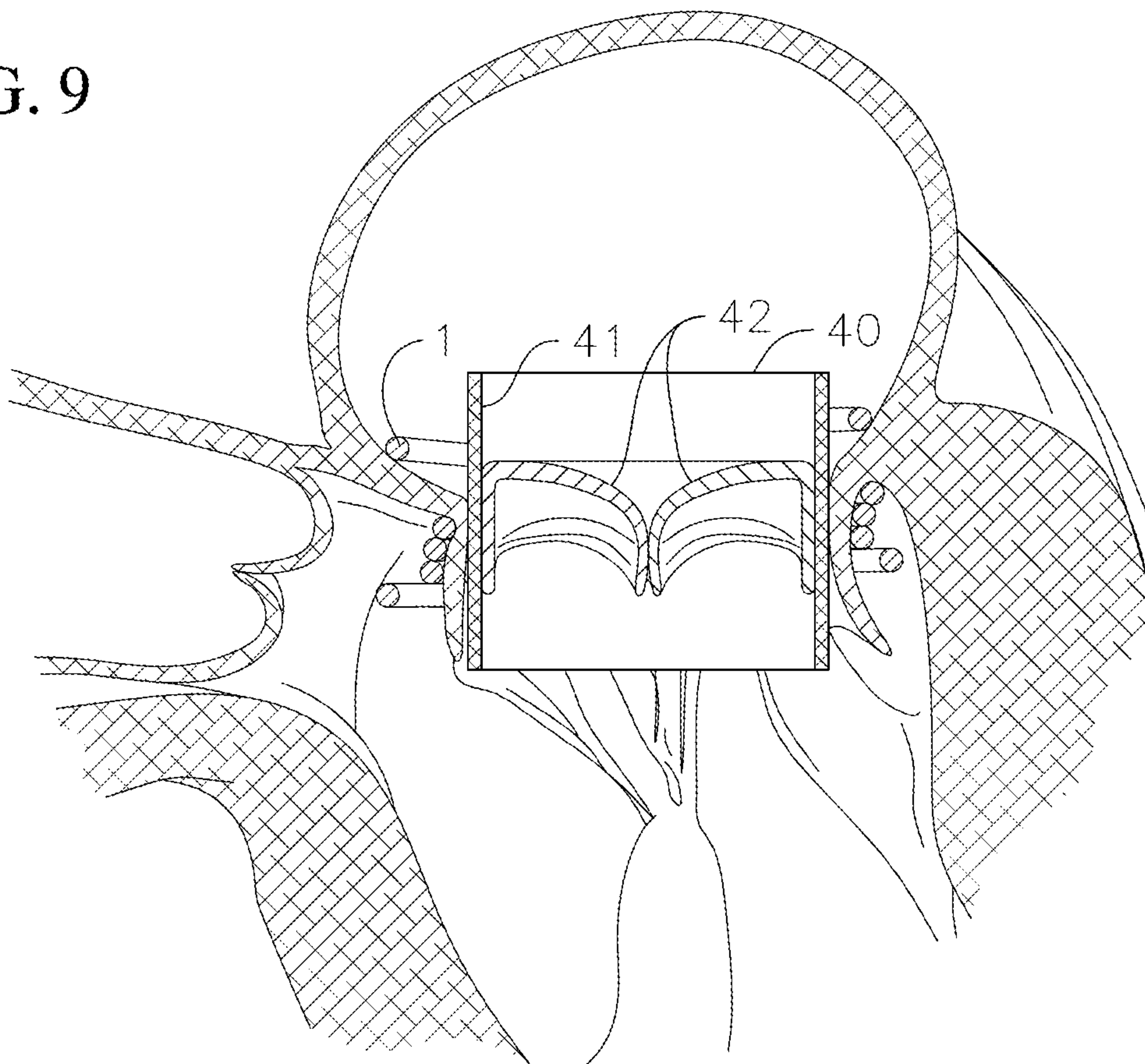


FIG. 10

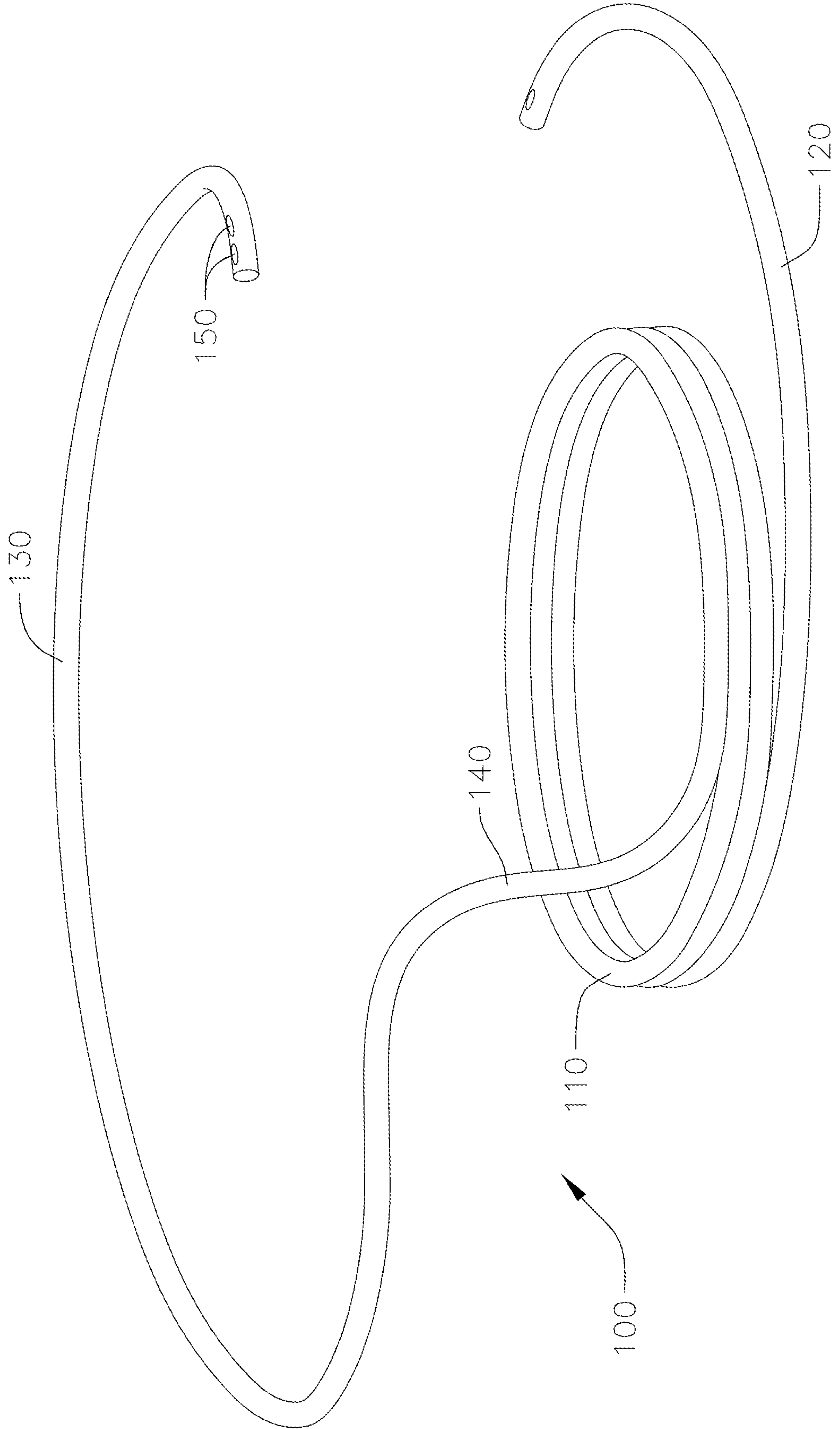
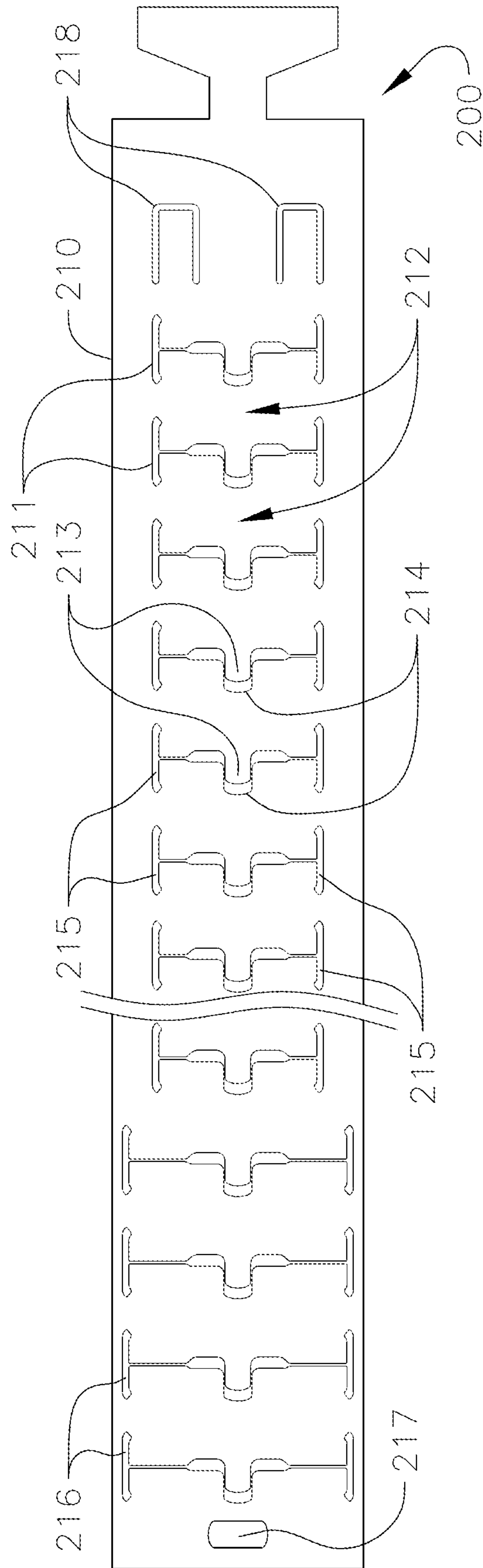


FIG. 11



8/22

FIG. 11A

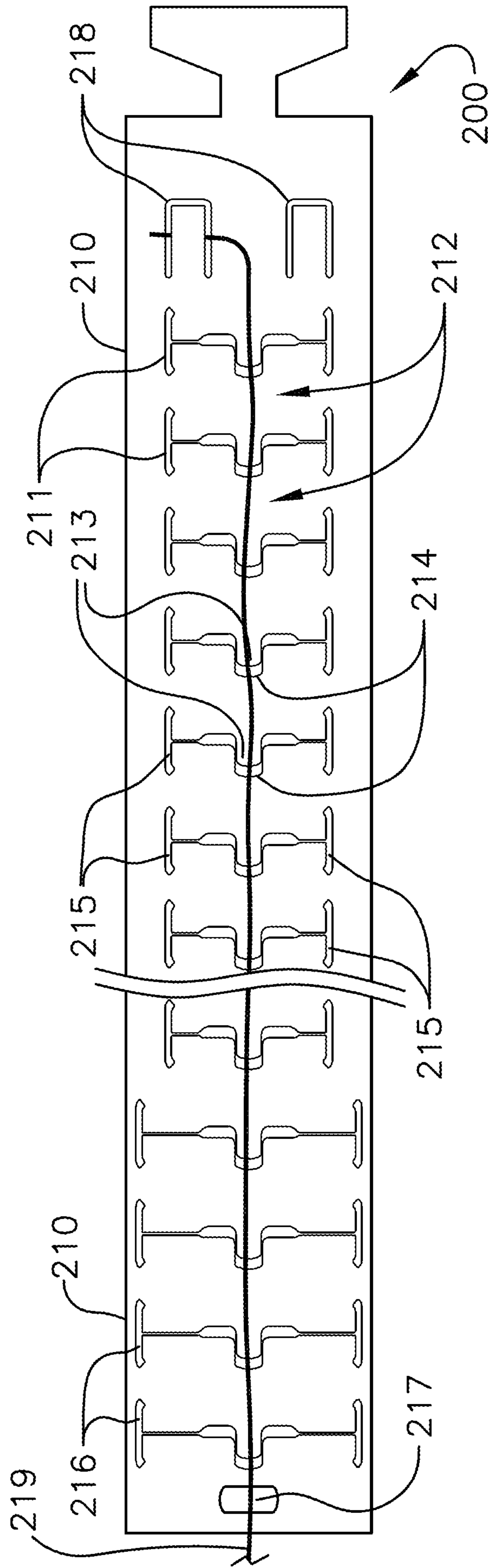


FIG. 12

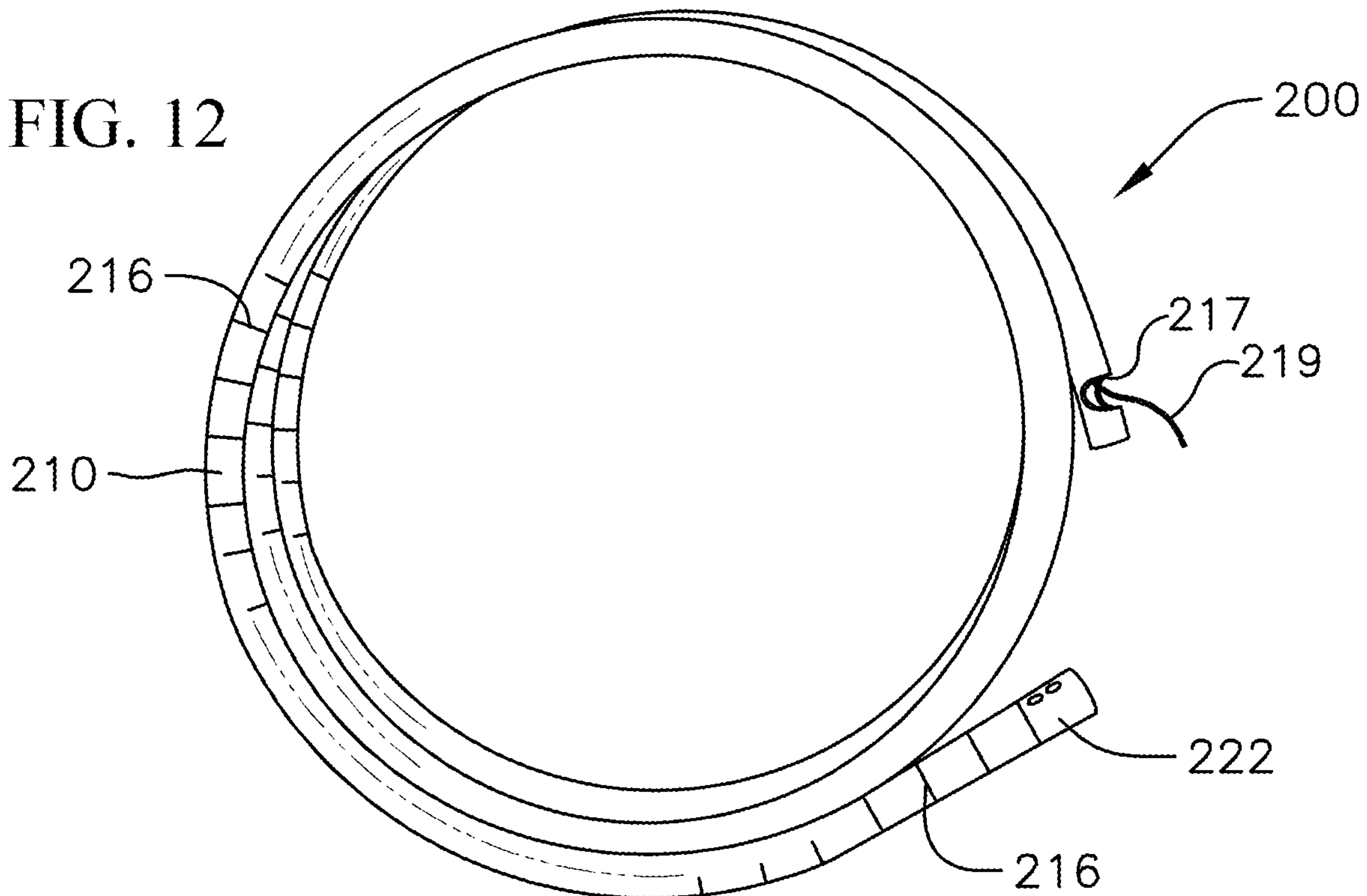


FIG. 13

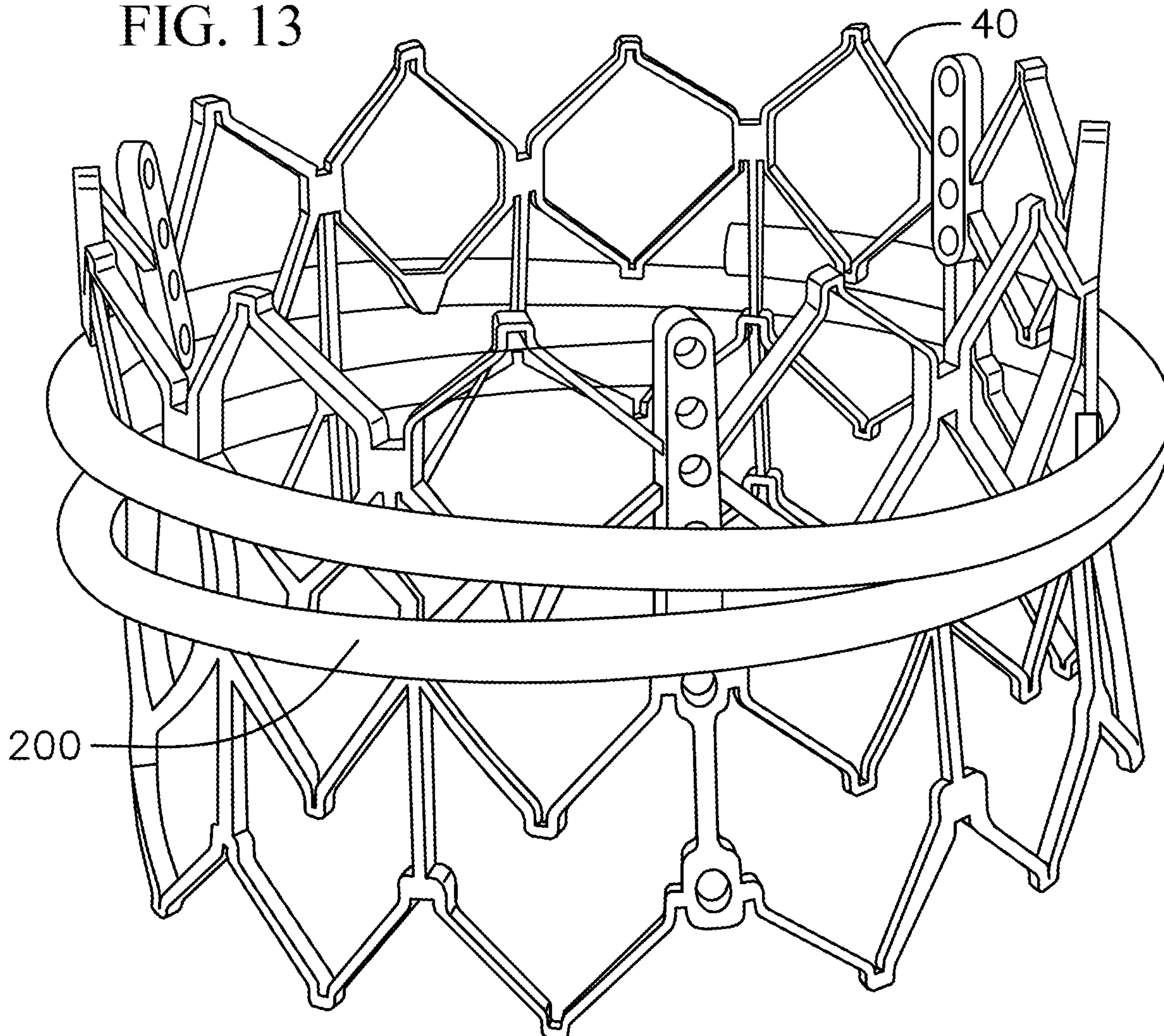


FIG. 14

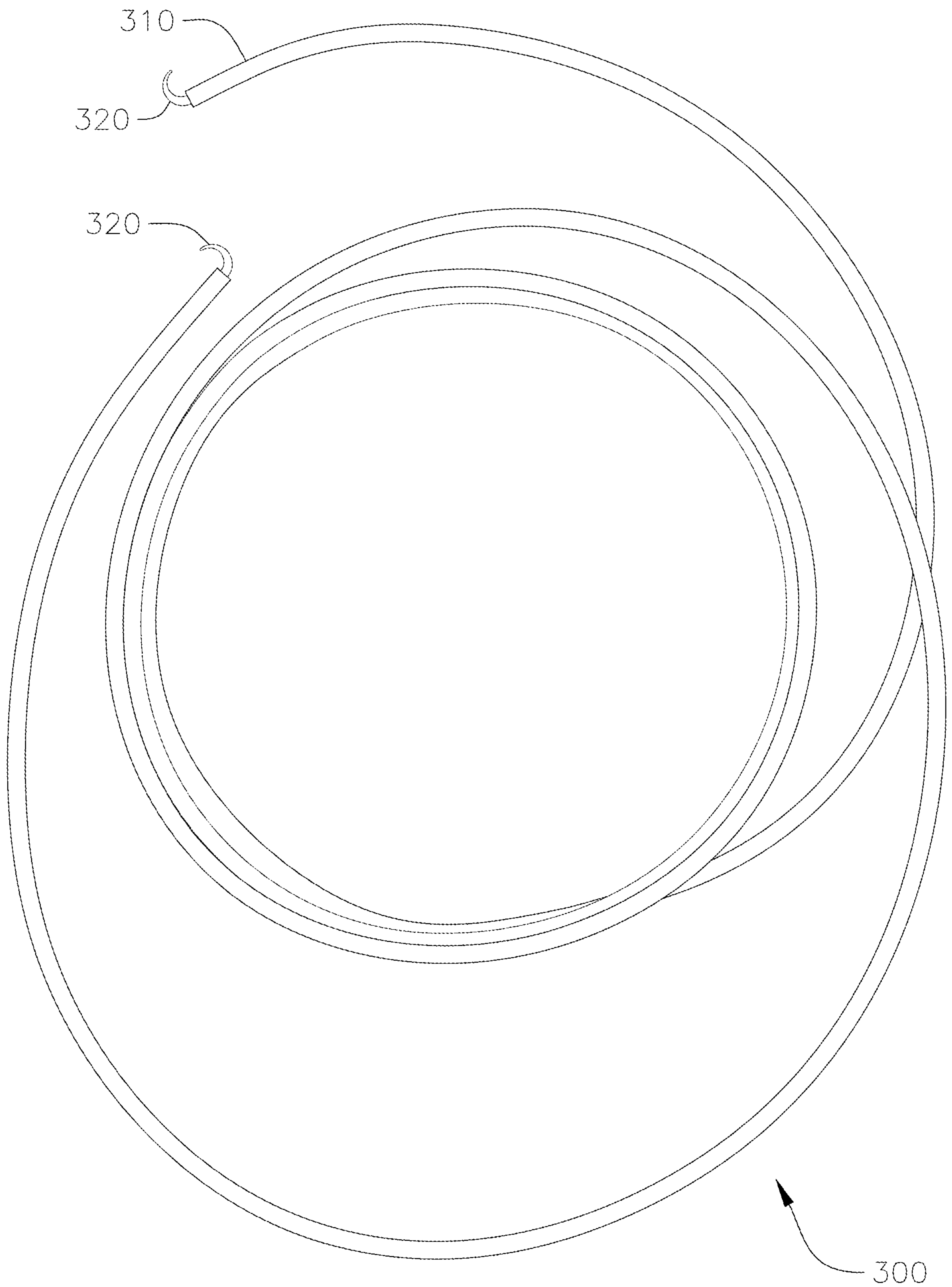


FIG. 15

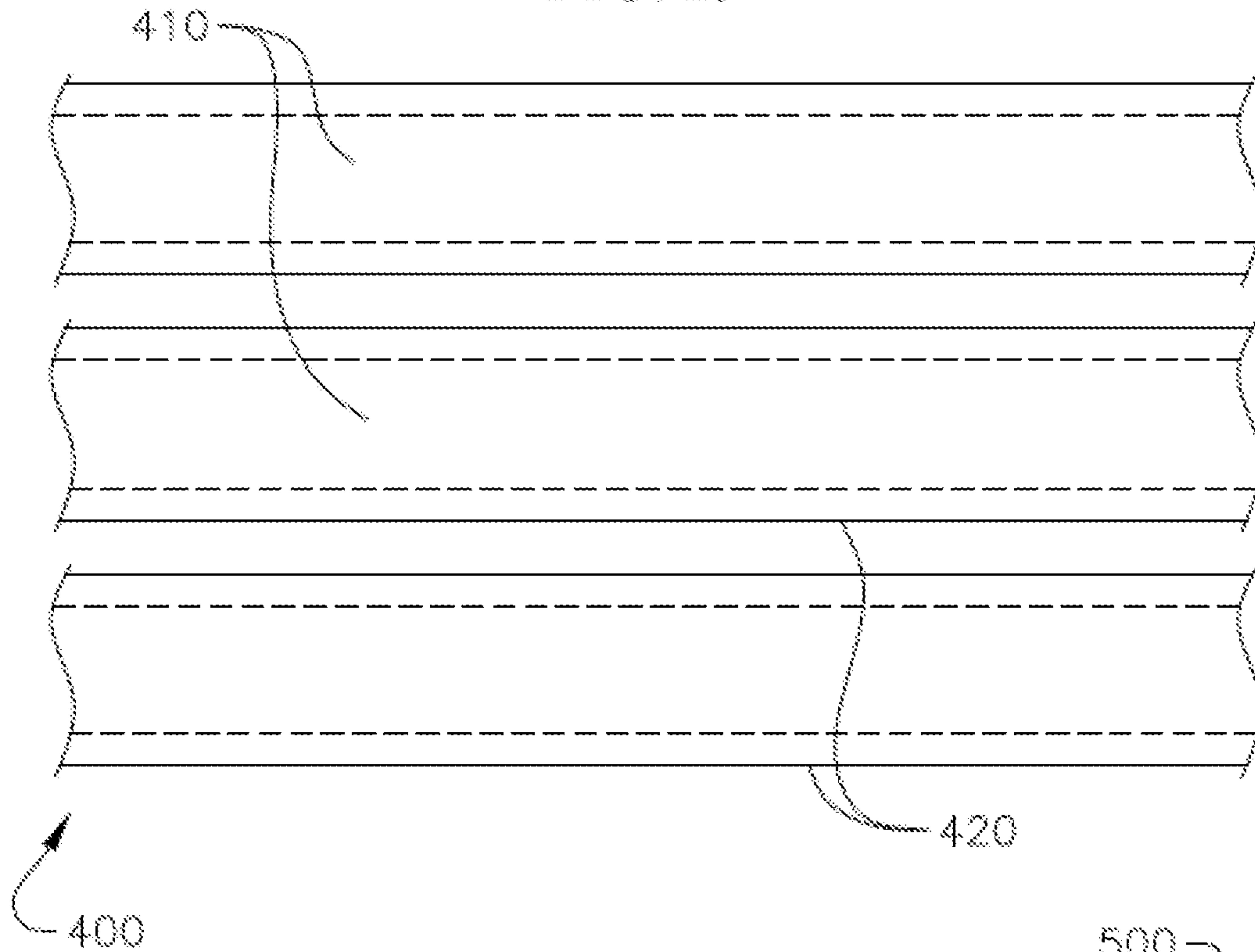


FIG. 16

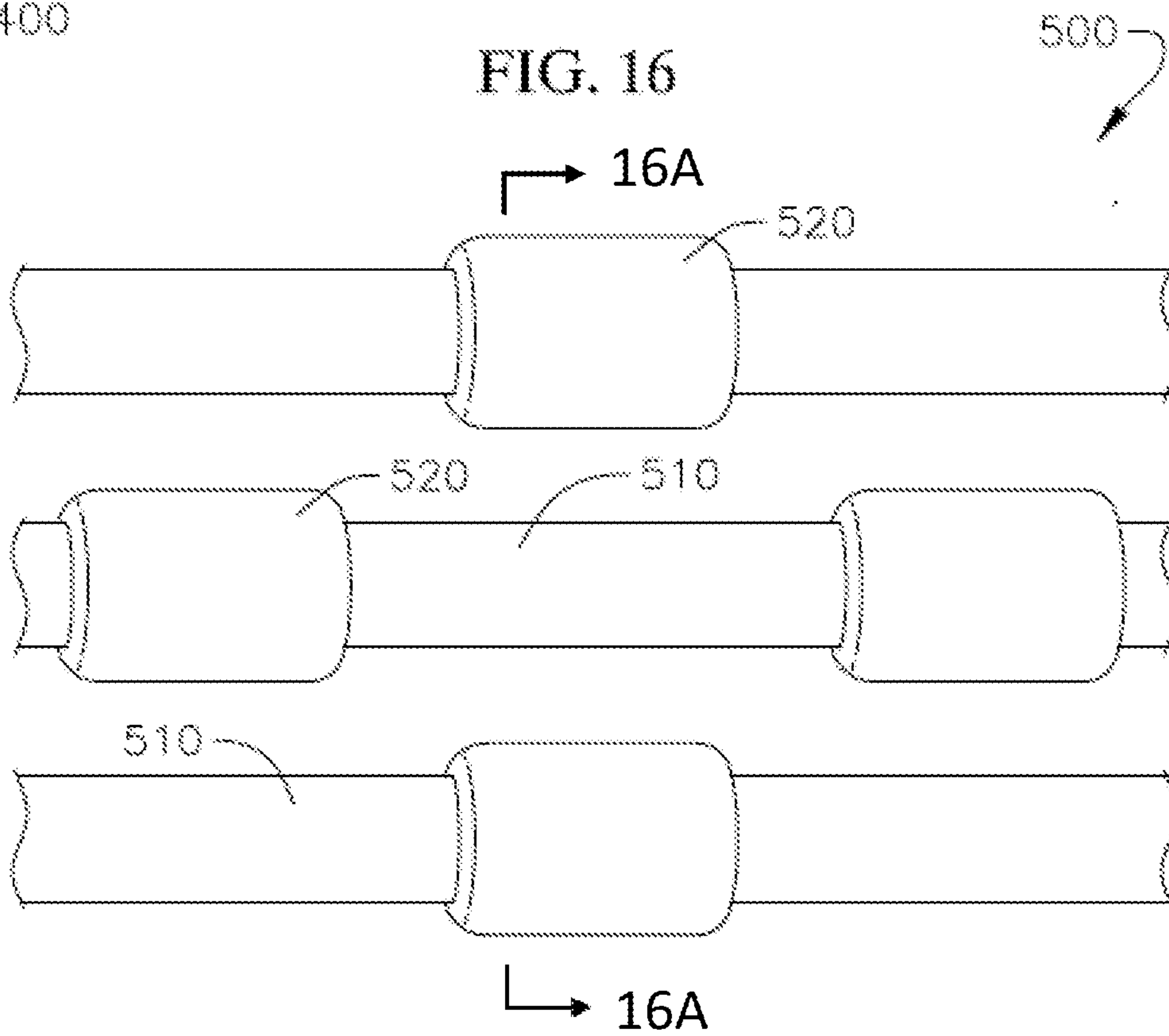


FIG. 16A

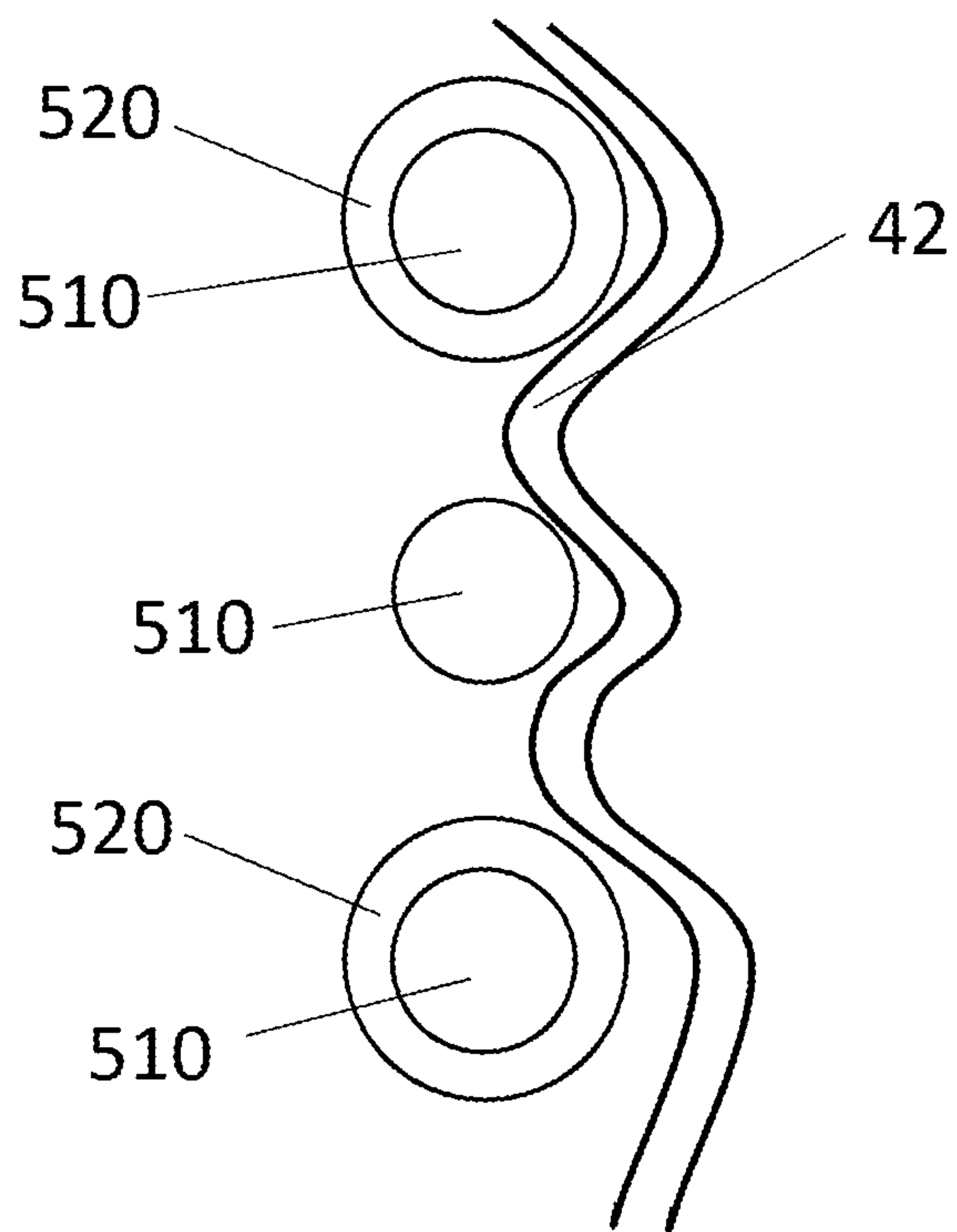


FIG. 17

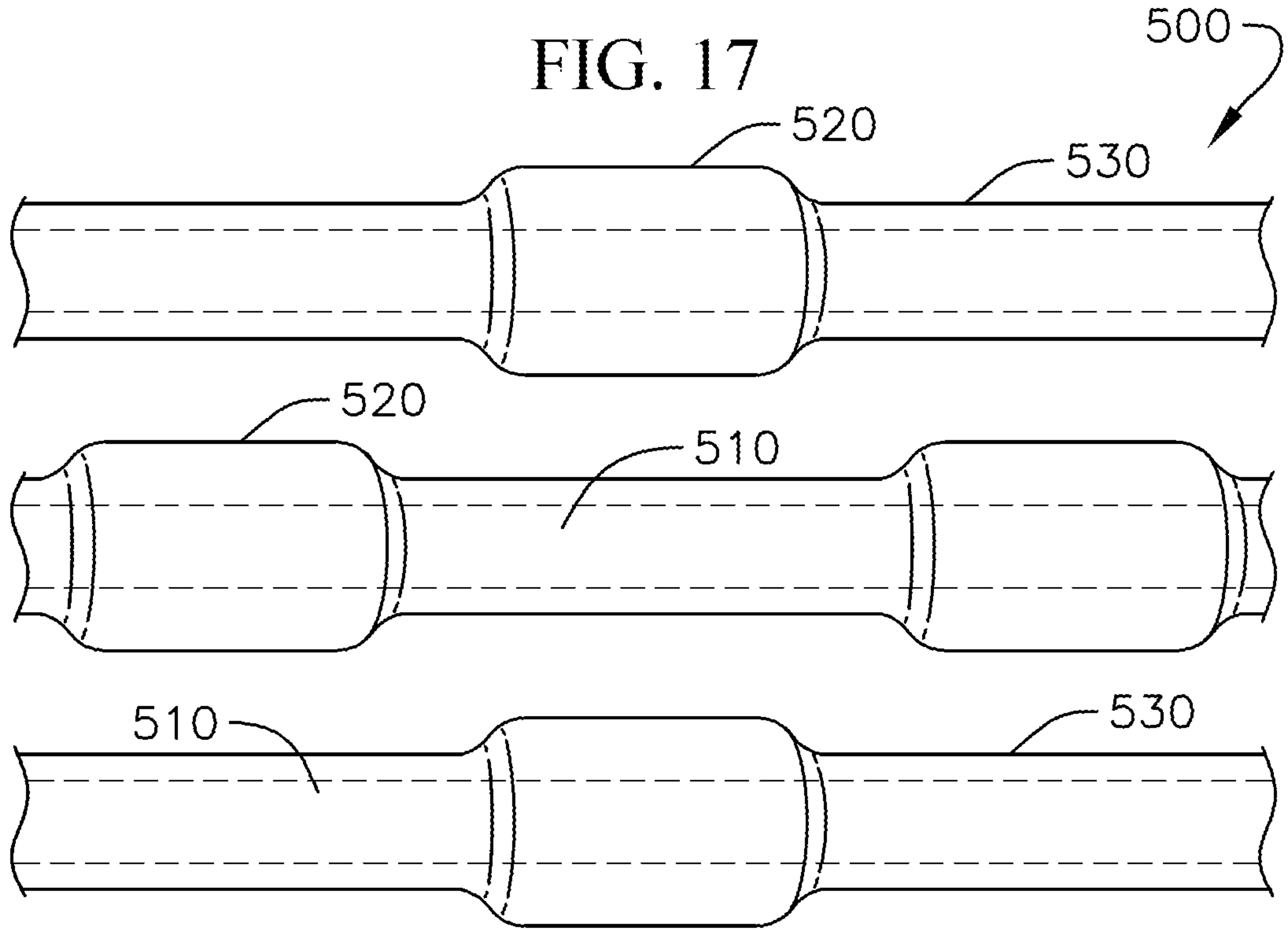


FIG. 18

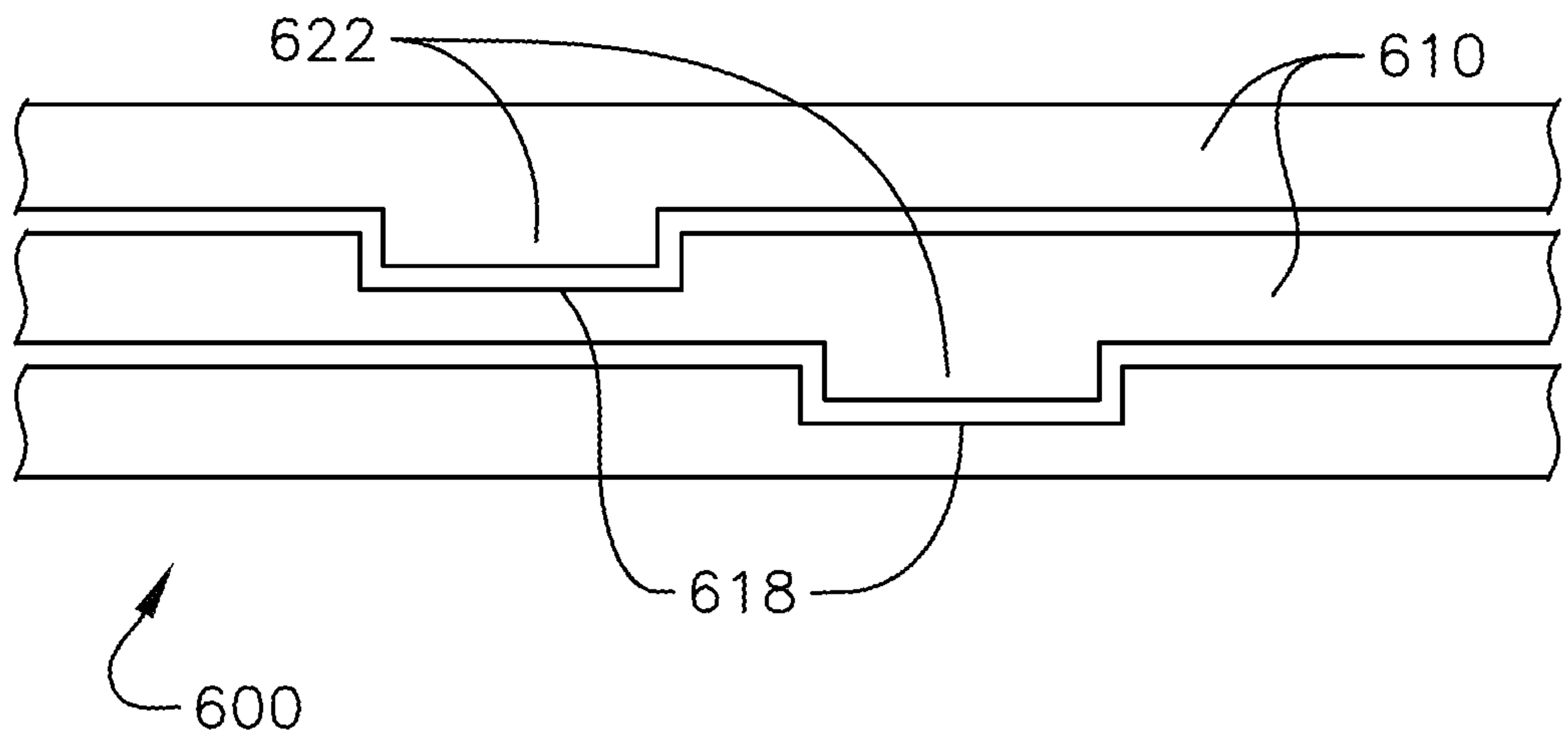


FIG. 19A

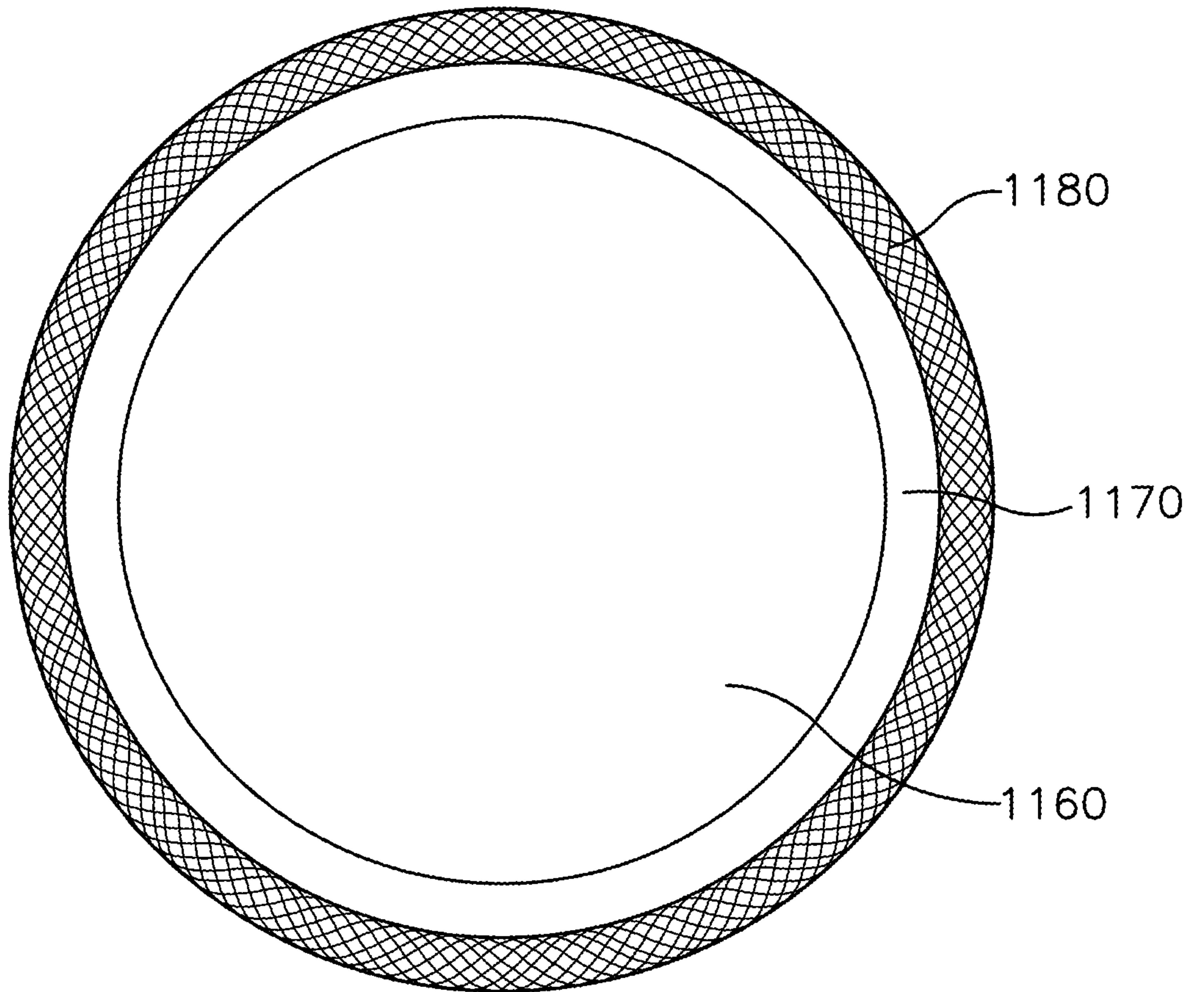


FIG. 21

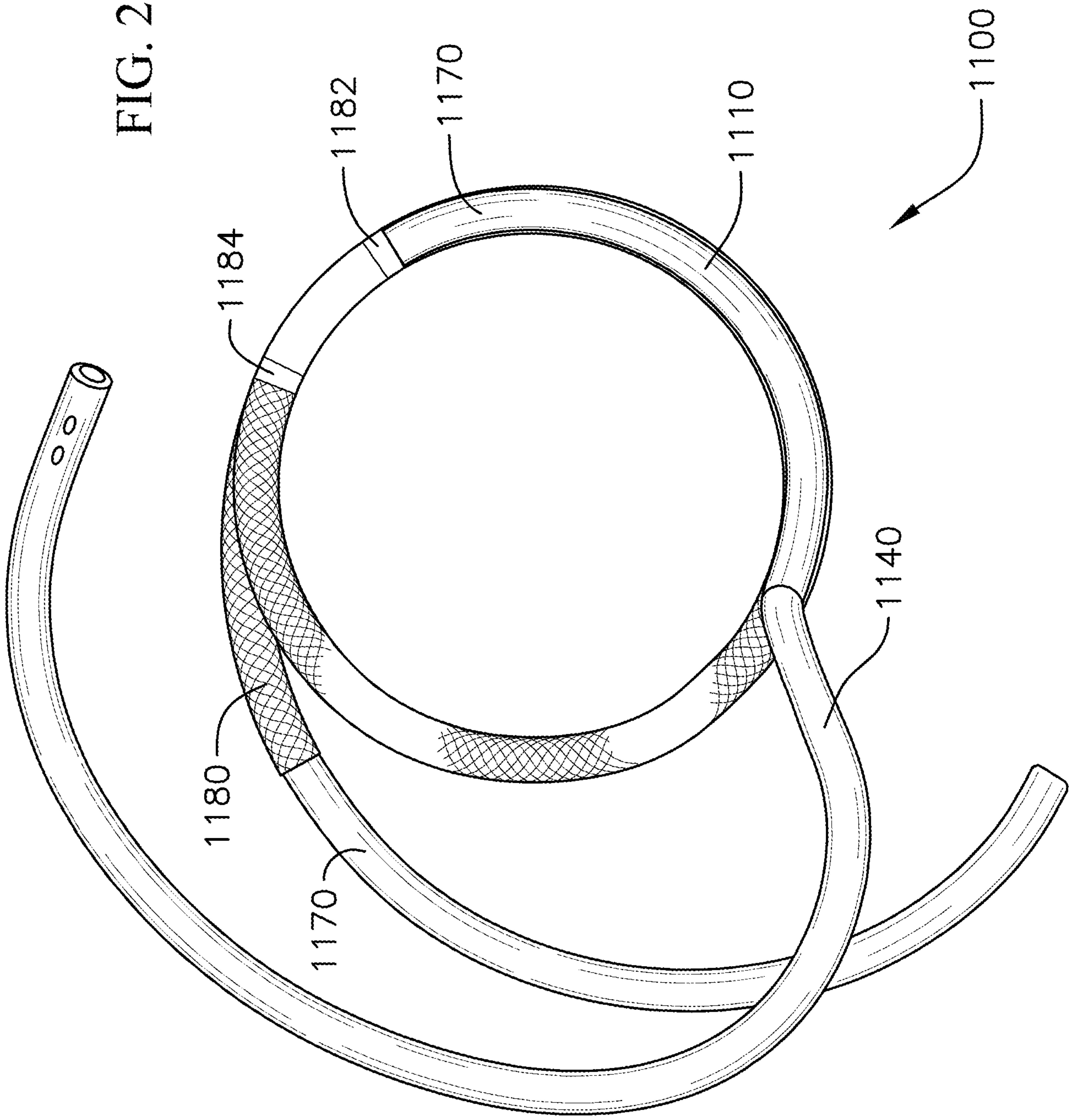


FIG. 22

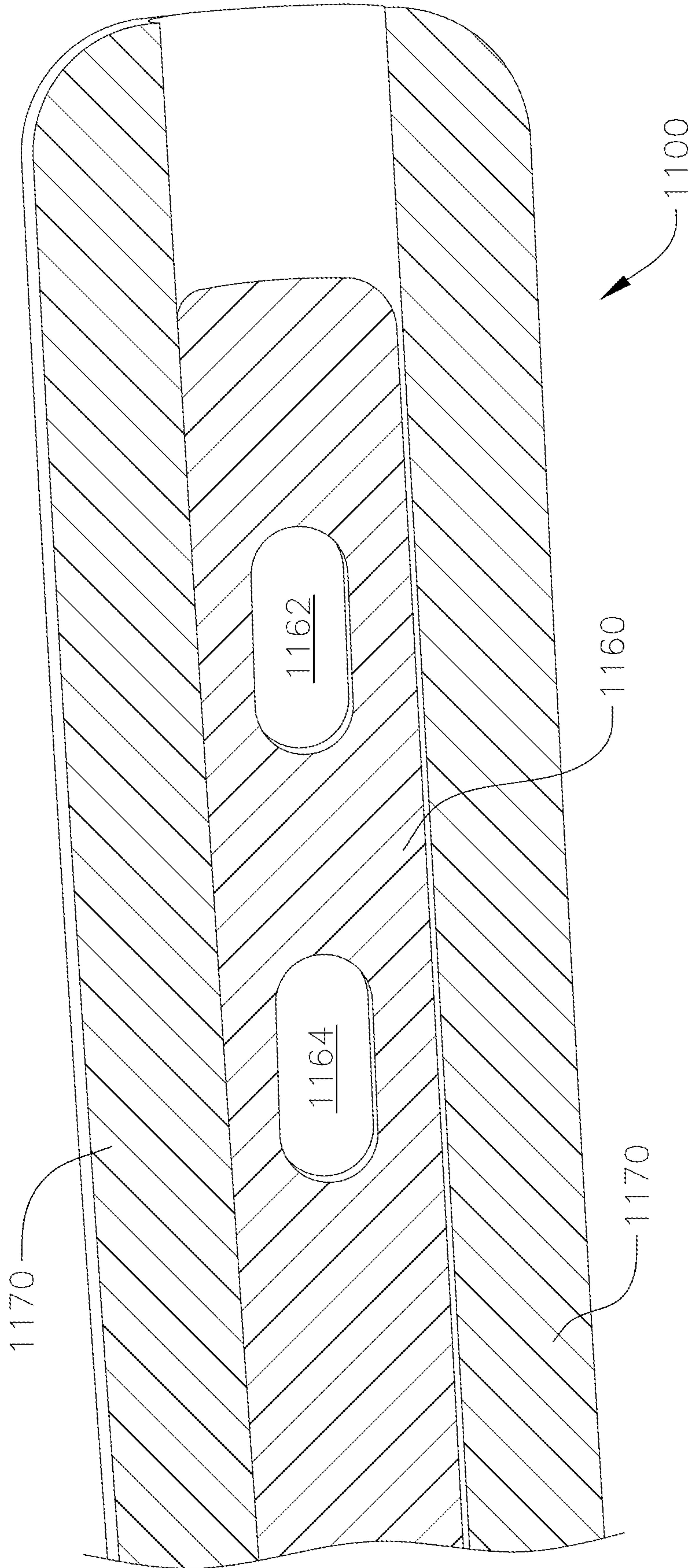
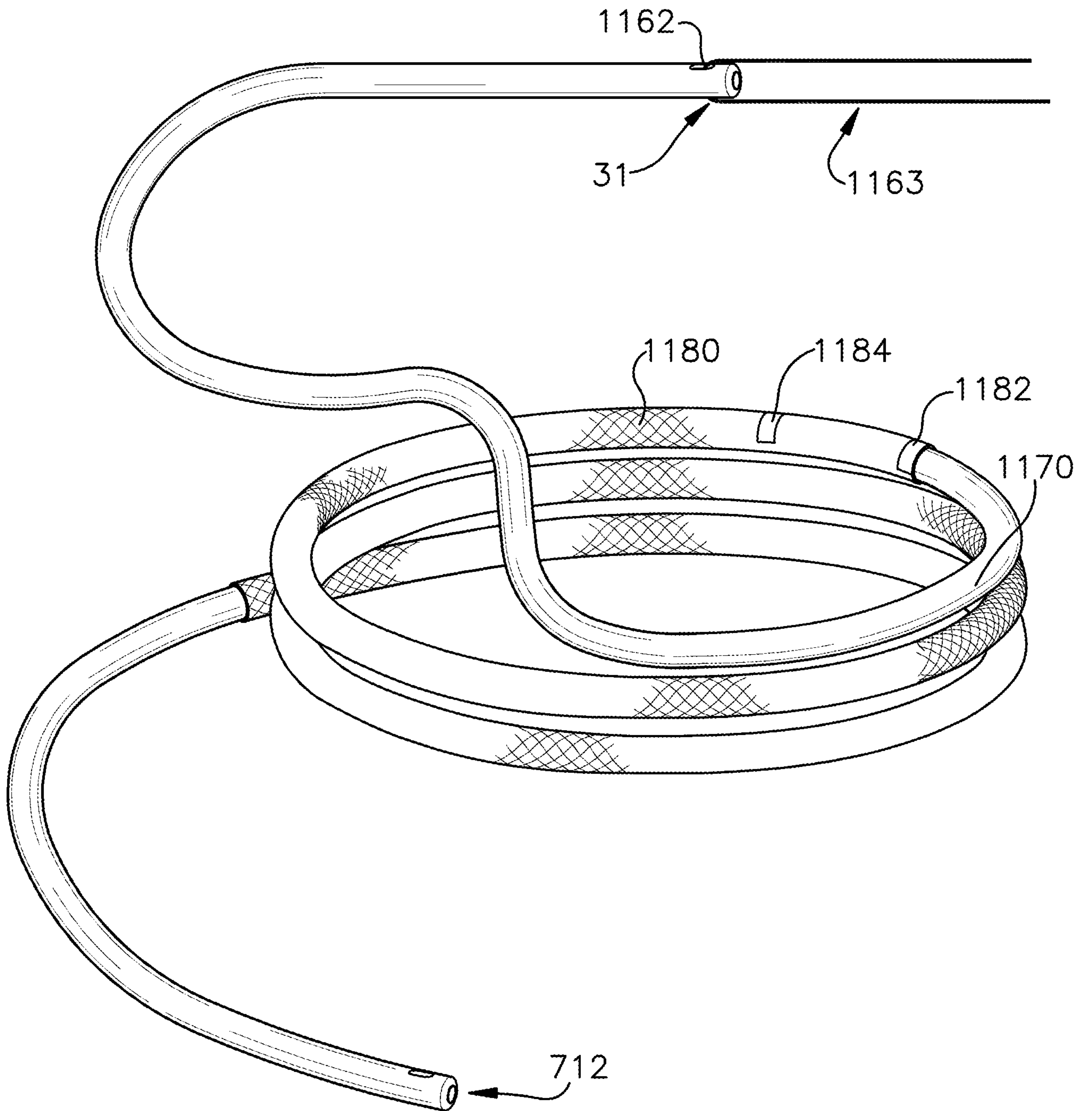


FIG. 22A



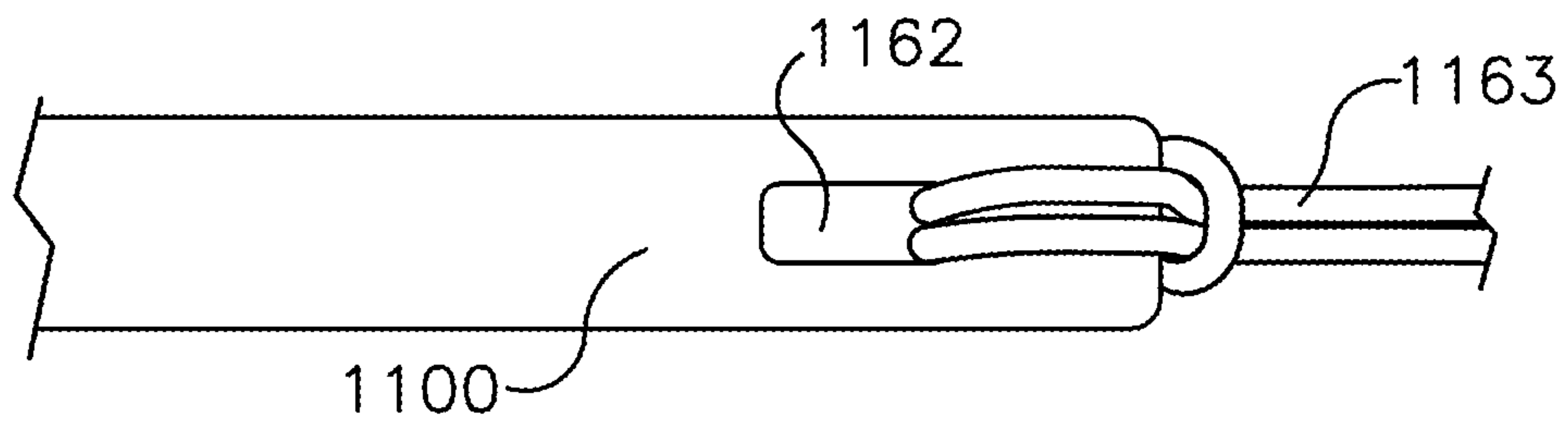


FIG. 22B

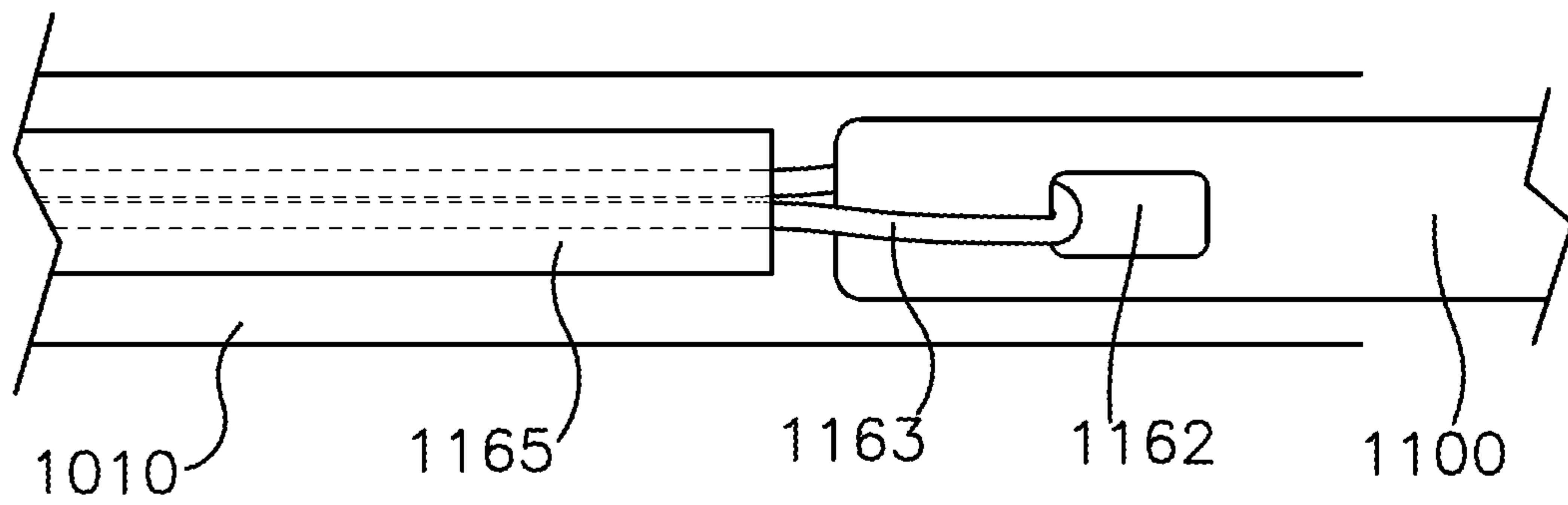


FIG. 22C

FIG. 23

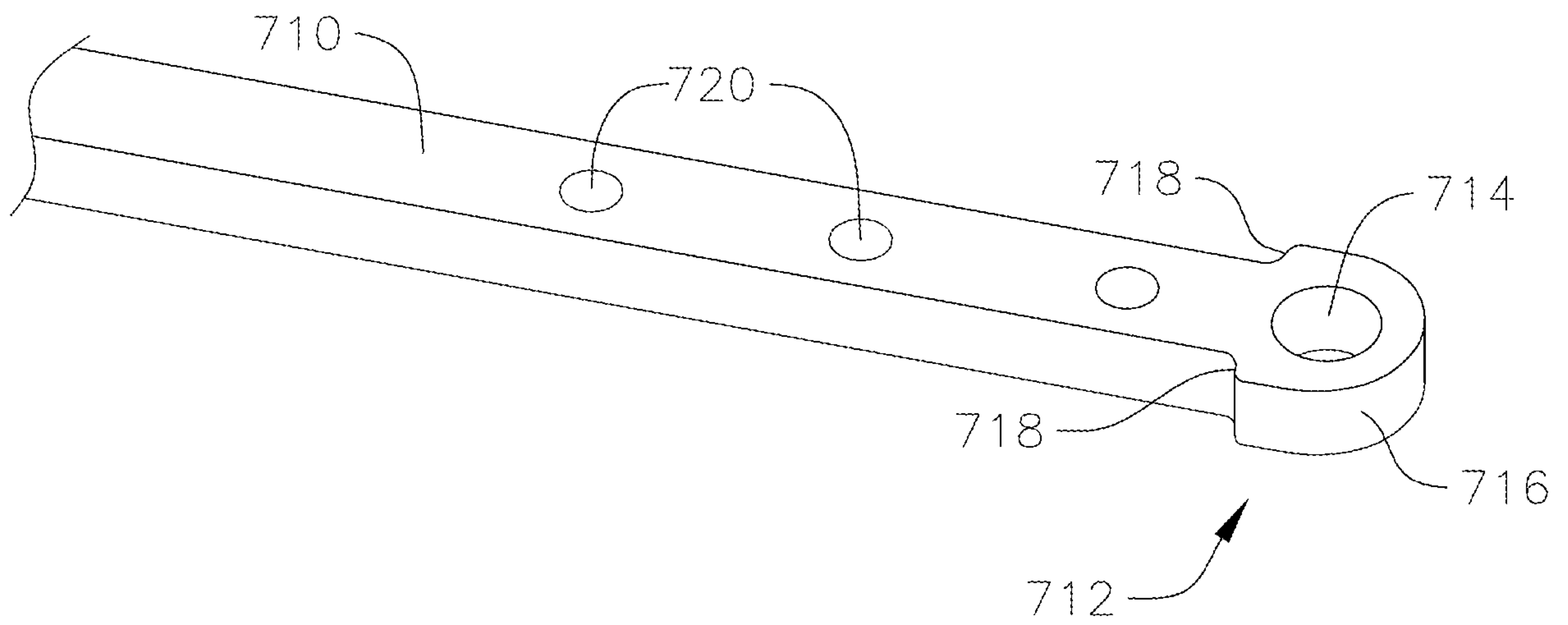


FIG. 24

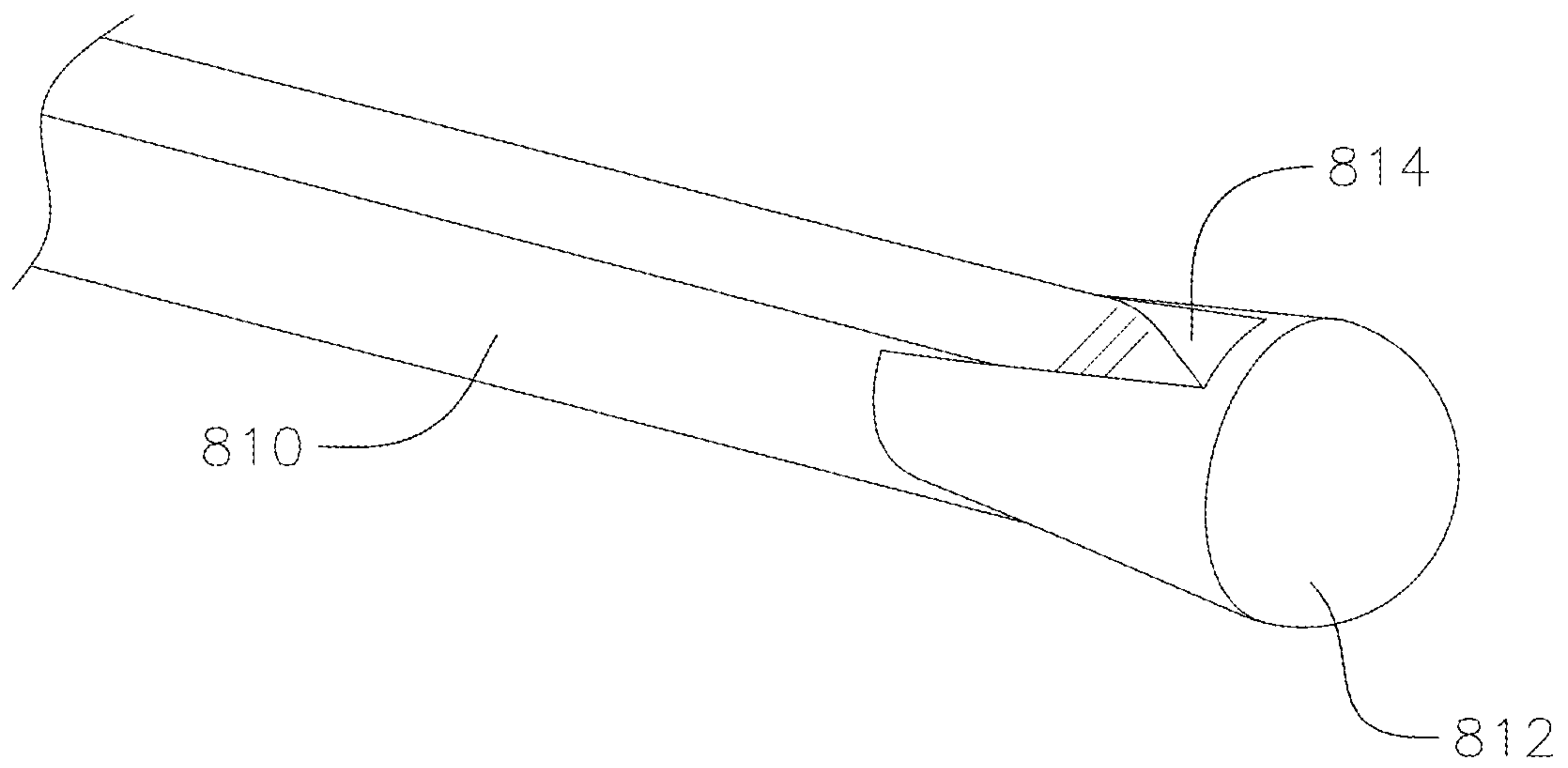


FIG. 25

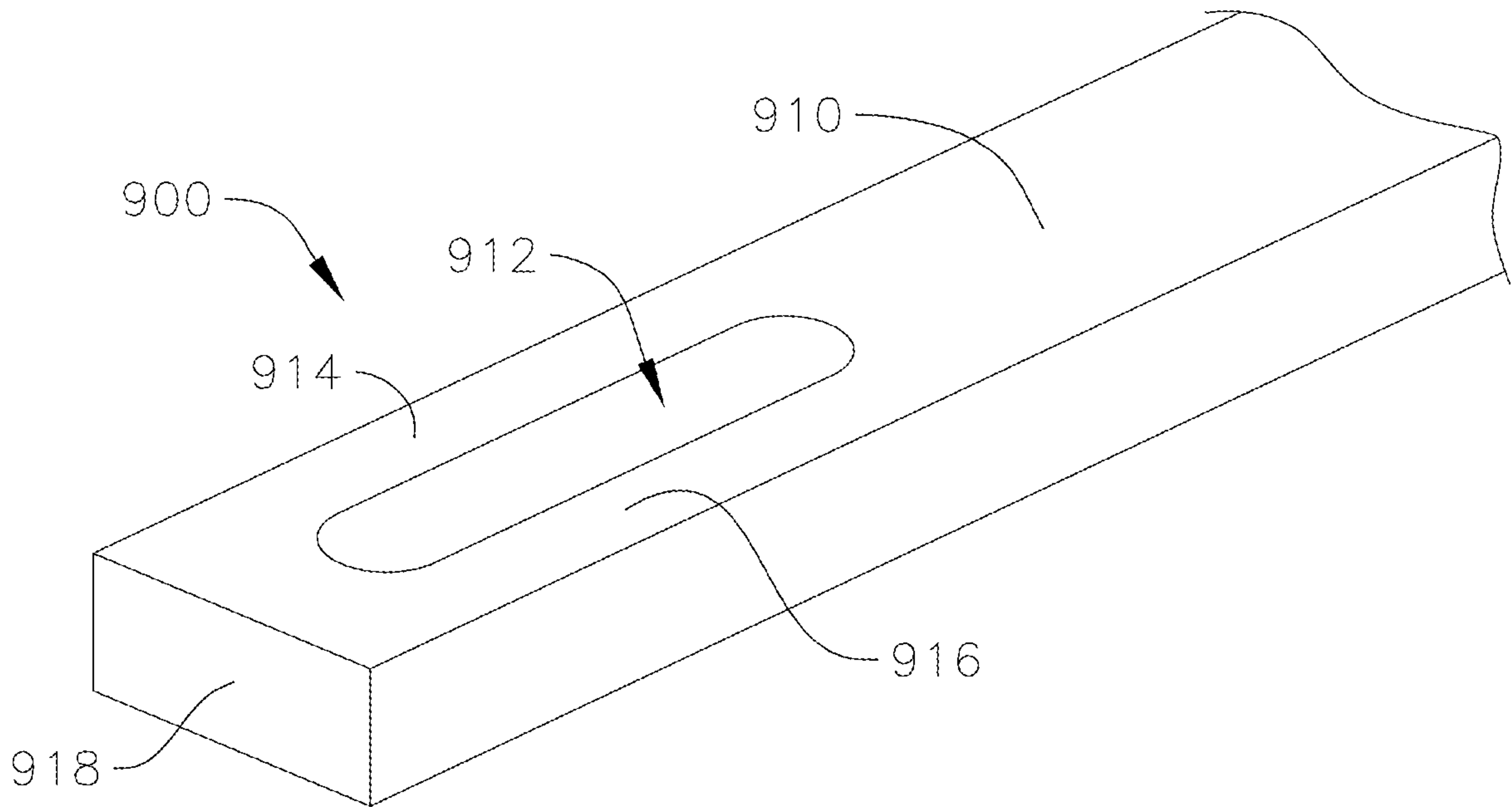


FIG. 26

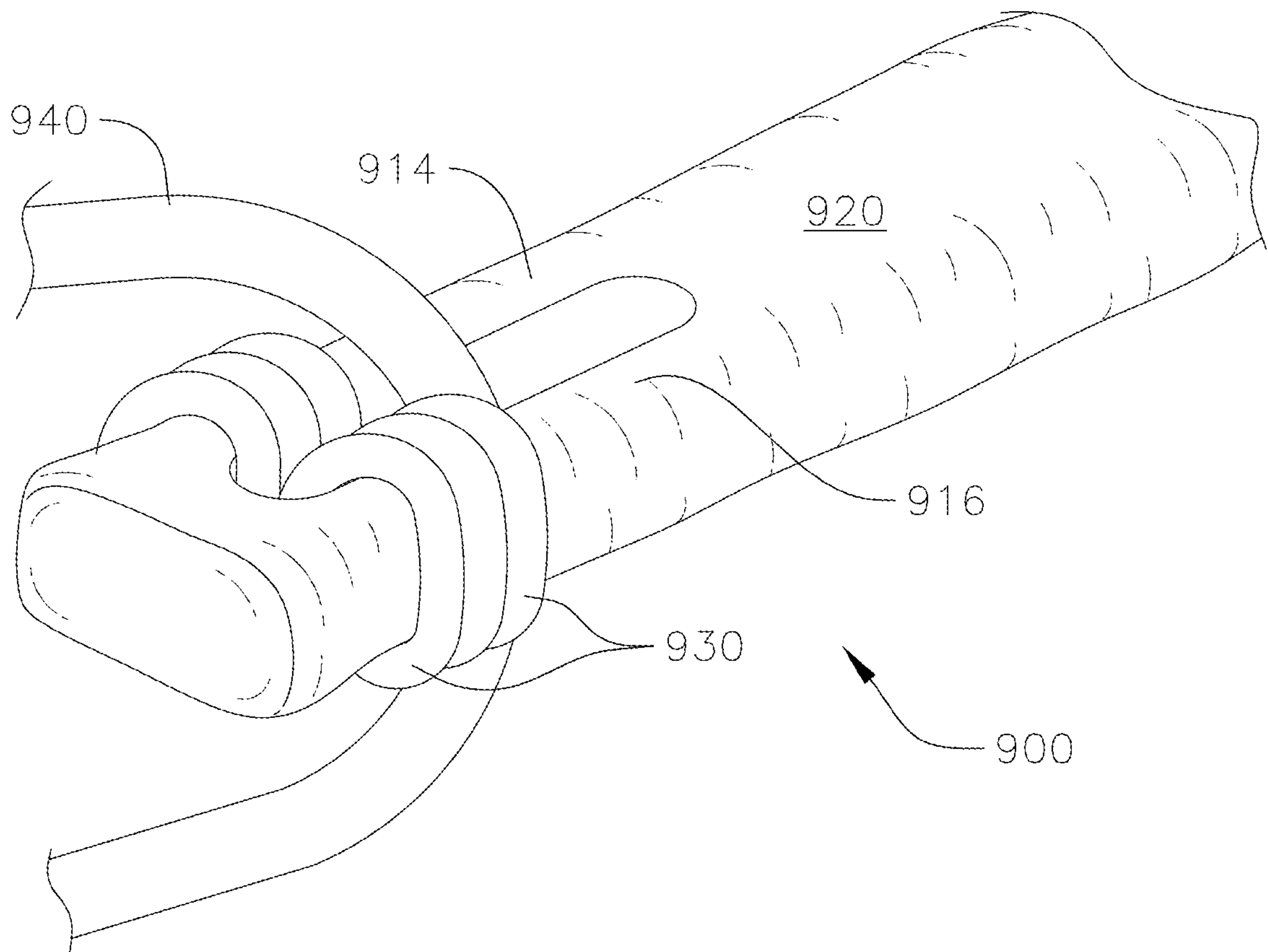


FIG. 10

