

(19) World Intellectual Property Organization
International Bureau



(43) International Publication Date
15 January 2009 (15.01.2009)

PCT

(10) International Publication Number
WO 2009/009645 A3

(51) International Patent Classification:

F16C 19/49 (2006.01) F16C 33/62 (2006.01)
F16C 33/32 (2006.01)

(21) International Application Number:

PCT/US2008/069608

(22) International Filing Date: 10 July 2008 (10.07.2008)

(25) Filing Language: English

(26) Publication Language: English

(30) Priority Data:

60/959,326 12 July 2007 (12.07.2007) US

(71) Applicant (for all designated States except US): **ROLLER BEARING COMPANY OF AMERICA, INC.** [US/US]; One Tribology Center, Oxford, Connecticut 06478 (US).

(72) Inventor; and

(75) Inventor/Applicant (for US only): **HABIBVAND, Alex** [US/US]; 3012 Echo Hill Way, Orange, California 92867 (US).

(74) Agent: **MICHAUD, Richard R.**; Michaud-Duffy Group LLP, 306 Industrial Park Road, Suite 206, Middletown, Connecticut 06457 (US).

(81) Designated States (unless otherwise indicated, for every kind of national protection available): AE, AG, AL, AM, AO, AT, AU, AZ, BA, BB, BG, BH, BR, BW, BY, BZ, CA, CH, CN, CO, CR, CU, CZ, DE, DK, DM, DO, DZ, EC, EE, EG, ES, FI, GB, GD, GE, GH, GM, GT, HN, HR, HU, ID, IL, IN, IS, JP, KE, KG, KM, KN, KP, KR, KZ, LA, LC, LK, LR, LS, LT, LU, LY, MA, MD, ME, MG, MK, MN, MW, MX, MY, MZ, NA, NG, NI, NO, NZ, OM, PG, PH, PL, PT, RO, RS, RU, SC, SD, SE, SG, SK, SL, SM, ST, SV, SY, TJ, TM, TN, TR, TT, TZ, UA, UG, US, UZ, VC, VN, ZA, ZM, ZW.

(84) Designated States (unless otherwise indicated, for every kind of regional protection available): ARIPO (BW, GH, GM, KE, LS, MW, MZ, NA, SD, SL, SZ, TZ, UG, ZM, ZW), Eurasian (AM, AZ, BY, KG, KZ, MD, RU, TJ, TM), European (AT, BE, BG, CH, CY, CZ, DE, DK, EE, ES, FI, FR, GB, GR, HR, HU, IE, IS, IT, LT, LU, LV, MC, MT, NL, NO, PL, PT, RO, SE, SI, SK, TR), OAPI (BF, BJ, CF, CG, CI, CM, GA, GN, GQ, GW, ML, MR, NE, SN, TD, TG).

Published:

- with international search report
- before the expiration of the time limit for amending the claims and to be republished in the event of receipt of amendments

(88) Date of publication of the international search report:

5 March 2009

(54) Title: GROUND-BASED POWER GENERATOR WITH BALL-ROLLER BEARING BUTTERFLY VALVE

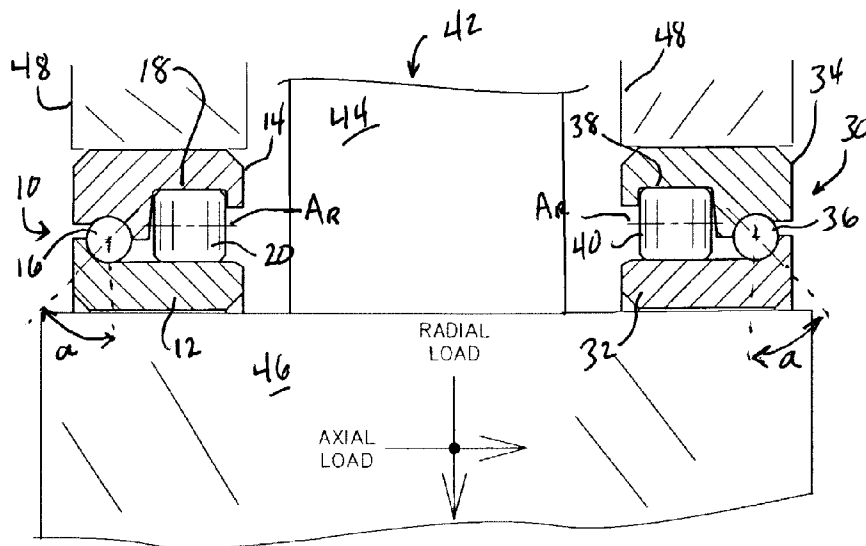


FIG. 1

(57) Abstract: A ground-based power generator that produces hot gas and that has a hot gas valving system includes a butterfly valve in a gas flow conduit. The generator is improved in that the butterfly valve is mounted in the conduit by a ball-roller bearing.

WO 2009/009645 A3

INTERNATIONAL SEARCH REPORT

International application No
PCT/US2008/069608

A. CLASSIFICATION OF SUBJECT MATTER		
INV. F16C19/49 F16C33/32 F16C33/62		
According to International Patent Classification (IPC) or to both national classification and IPC		
B. FIELDS SEARCHED		
Minimum documentation searched (classification system followed by classification symbols) F16C F16K		
Documentation searched other than minimum documentation to the extent that such documents are included in the fields searched		
Electronic data base consulted during the international search (name of data base and, where practical, search terms used) EPO-Internal, WPI Data		
C. DOCUMENTS CONSIDERED TO BE RELEVANT		
Category*	Citation of document, with indication, where appropriate, of the relevant passages	Relevant to claim No.
Y	US 4 938 452 A (IMAMURA KANEO [JP] ET AL) 3 July 1990 (1990-07-03) column 4, line 14 - line 53 column 11, line 28 - line 30; figure 1 -----	1-5
Y	DE 10 2004 020851 A1 (INA SCHAEFFLER KG [DE]) 24 November 2005 (2005-11-24) paragraph [0015] - paragraph [0017]; figure 1 -----	1-5
A	US 5 887 985 A (LOREE II HOWARD M [US] ET AL) 30 March 1999 (1999-03-30) column 4, line 8 - line 28 -----	1-5
A	WO 2005/057031 A (FAG KUGELFISCHER AG [DE]; MOLLER RAINER [DE]; GEORGI JAN [DE]; ZYLJA J) 23 June 2005 (2005-06-23) page 8, line 12 - line 32; figures ----- -/--	1-5
<input checked="" type="checkbox"/> Further documents are listed in the continuation of Box C. <input checked="" type="checkbox"/> See patent family annex.		
* Special categories of cited documents : *A* document defining the general state of the art which is not considered to be of particular relevance *E* earlier document but published on or after the international filing date *L* document which may throw doubts on priority claim(s) or which is cited to establish the publication date of another citation or other special reason (as specified) *O* document referring to an oral disclosure, use, exhibition or other means *P* document published prior to the international filing date but later than the priority date claimed *T* later document published after the international filing date or priority date and not in conflict with the application but cited to understand the principle or theory underlying the invention *X* document of particular relevance; the claimed invention cannot be considered novel or cannot be considered to involve an inventive step when the document is taken alone *Y* document of particular relevance; the claimed invention cannot be considered to involve an inventive step when the document is combined with one or more other such documents, such combination being obvious to a person skilled in the art. *&* document member of the same patent family		
Date of the actual completion of the international search 9 December 2008		Date of mailing of the international search report 19/12/2008
Name and mailing address of the ISA/ European Patent Office, P.B. 5818 Patentiaan 2 NL - 2280 HV Rijswijk Tel. (+31-70) 340-2040, Fax: (+31-70) 340-3016		Authorized officer Ceuca, Antonio

INTERNATIONAL SEARCH REPORT

International application No

PCT/US2008/069608

C(Continuation). DOCUMENTS CONSIDERED TO BE RELEVANT

Category*	Citation of document, with indication, where appropriate, of the relevant passages	Relevant to claim No.
A	US 5 953 898 A (DRYDEN RICHARD [US]) 21 September 1999 (1999-09-21) cited in the application column 7, line 63 - column 8, line 9; figures 2,3 -----	1

INTERNATIONAL SEARCH REPORT

Information on patent family members

International application No PCT/US2008/069608

Patent document cited in search report	Publication date	Patent family member(s)	Publication date
US 4938452 A	03-07-1990	US 4938614 A US 4981284 A	03-07-1990 01-01-1991
DE 102004020851 A1	24-11-2005	NONE	
US 5887985 A	30-03-1999	NONE	
WO 2005057031 A	23-06-2005	DE 10357109 A1 EP 1690015 A1 US 2007172165 A1	07-07-2005 16-08-2006 26-07-2007
US 5953898 A	21-09-1999	AT 222792 T DE 69807458 D1 DE 69807458 T2 EP 0977622 A1 ES 2182264 T3 WO 9837946 A1 JP 3140793 B2 JP 2000510218 T US 6035628 A	15-09-2002 02-10-2002 03-04-2003 09-02-2000 01-03-2003 03-09-1998 05-03-2001 08-08-2000 14-03-2000