



- (51) International Patent Classification:
A61C 8/00 (2006.01)
- (21) International Application Number:
PCT/EP2009/005045
- (22) International Filing Date:
10 July 2009 (10.07.2009)
- (25) Filing Language: English
- (26) Publication Language: English
- (30) Priority Data:
12/172,881 14 July 2008 (14.07.2008) US
- (71) Applicant (for all designated States except US): NOBEL
BIOCARE SERVICES AG [CH/CH]; Postfach,
CH-8058 Zürich-Flughafen (CH).
- (72) Inventor; and
- (75) Inventor/Applicant (for US only): HURSON, Steven,
M. [US/US]; 5575 Candleberry Lane, Yorba Linda, CA
92887 (US).
- (74) Agent: BYSTRÖM, Linus; Nobel Biocare AB, P.O. Box
5190, S-402 60 Göteborg (SE).

- (81) Designated States (unless otherwise indicated, for every
kind of national protection available): AE, AG, AL, AM,
AO, AT, AU, AZ, BA, BB, BG, BH, BR, BW, BY, BZ,
CA, CH, CL, CN, CO, CR, CU, CZ, DE, DK, DM, DO,
DZ, EC, EE, EG, ES, FI, GB, GD, GE, GH, GM, GT,
HN, HR, HU, ID, IL, IN, IS, JP, KE, KG, KM, KN, KP,
KR, KZ, LA, LC, LK, LR, LS, LT, LU, LY, MA, MD,
ME, MG, MK, MN, MW, MX, MY, MZ, NA, NG, NI,
NO, NZ, OM, PE, PG, PH, PL, PT, RO, RS, RU, SC, SD,
SE, SG, SK, SL, SM, ST, SV, SY, TJ, TM, TN, TR, TT,
TZ, UA, UG, US, UZ, VC, VN, ZA, ZM, ZW.
- (84) Designated States (unless otherwise indicated, for every
kind of regional protection available): ARIPO (BW, GH,
GM, KE, LS, MW, MZ, NA, SD, SL, SZ, TZ, UG, ZM,
ZW), Eurasian (AM, AZ, BY, KG, KZ, MD, RU, TJ,
TM), European (AT, BE, BG, CH, CY, CZ, DE, DK, EE,
ES, FI, FR, GB, GR, HR, HU, IE, IS, IT, LT, LU, LV,
MC, MK, MT, NL, NO, PL, PT, RO, SE, SI, SK, SM,
TR), OAPI (BF, BJ, CF, CG, CI, CM, GA, GN, GQ, GW,
ML, MR, NE, SN, TD, TG).

Published:

— with international search report (Art. 21(3))

[Continued on next page]

(54) Title: COMPACT DENTAL IMPLANT

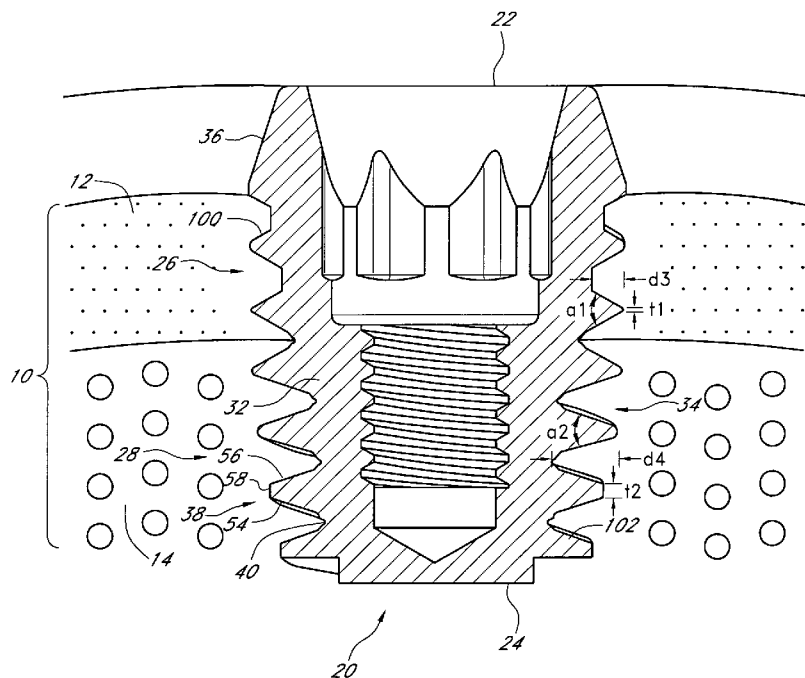


FIG. 1

(57) Abstract: A dental implant is provided for supporting a dental prosthesis. The implant has a body having an outer surface, an apical end, a coronal end, a coronal portion, and a threaded portion. The coronal portion has a collar that tapers inwardly. The threaded portion has an intermediate portion and an apical portion, the intermediate portion tapering inwardly at a first angle and the apical portion tapering inwardly at a second angle. At least one thread is located on the outer surface of the threaded portion. The thread has a coronal flank, an apical flank, and a face extending between the coronal flank and apical flank.





— *before the expiration of the time limit for amending the claims and to be republished in the event of receipt of amendments (Rule 48.2(h))*

(88) Date of publication of the international search report:
26 August 2010

INTERNATIONAL SEARCH REPORT

International application No
PCT/EP2009/005045

A. CLASSIFICATION OF SUBJECT MATTER
INV. A61C8/00
ADD.

According to International Patent Classification (IPC) or to both national classification and IPC

B. FIELDS SEARCHED

Minimum documentation searched (classification system followed by classification symbols)
A61C

Documentation searched other than minimum documentation to the extent that such documents are included in the fields searched

Electronic data base consulted during the international search (name of data base and, where practical, search terms used)

EPO-Internal

C. DOCUMENTS CONSIDERED TO BE RELEVANT

Category*	Citation of document, with indication, where appropriate, of the relevant passages	Relevant to claim No.
X	EP 0 696 445 A1 (BRIEN GARY O [US]) 14 February 1996 (1996-02-14)	23-25
A	column 1, lines 3-5, 40-41 figure 5	1-22
X	US 2005/164146 A1 (CANTOR STANTON R [US]) 28 July 2005 (2005-07-28)	23-25
A	figures 3,7,36,37 paragraph [0012] - paragraph [0012] claim 12	1-22
A	US 5 435 723 A (O'BRIEN GARY R [US]) 25 July 1995 (1995-07-25)	1-25
	figure 4 column 1, paragraph 1	
	-/--	

Further documents are listed in the continuation of Box C.

See patent family annex.

* Special categories of cited documents :

- "A" document defining the general state of the art which is not considered to be of particular relevance
- "E" earlier document but published on or after the international filing date
- "L" document which may throw doubts on priority claim(s) or which is cited to establish the publication date of another citation or other special reason (as specified)
- "O" document referring to an oral disclosure, use, exhibition or other means
- "P" document published prior to the international filing date but later than the priority date claimed

- "T" later document published after the international filing date or priority date and not in conflict with the application but cited to understand the principle or theory underlying the invention
- "X" document of particular relevance; the claimed invention cannot be considered novel or cannot be considered to involve an inventive step when the document is taken alone
- "Y" document of particular relevance; the claimed invention cannot be considered to involve an inventive step when the document is combined with one or more other such documents, such combination being obvious to a person skilled in the art.
- "&" document member of the same patent family

Date of the actual completion of the international search

24 June 2010

Date of mailing of the international search report

06/07/2010

Name and mailing address of the ISA/

European Patent Office, P.B. 5818 Patentlaan 2
NL - 2280 HV Rijswijk
Tel. (+31-70) 340-2040,
Fax: (+31-70) 340-3016

Authorized officer

Kerner, Bodo

INTERNATIONAL SEARCH REPORT

International application No
PCT/EP2009/005045

C(Continuation). DOCUMENTS CONSIDERED TO BE RELEVANT		
Category*	Citation of document, with indication, where appropriate, of the relevant passages	Relevant to claim No.
X	EP 1 598 028 A1 (STRAUMANN HOLDING AG [CH]) 23 November 2005 (2005-11-23)	9-22
A	figure 1	1-8, 23-25
A	----- WO 01/49199 A2 (STRAUMANN HOLDING AG [CH]; SCHAER ALEX [CH]; BAUMGARTNER RETO [CH]; MU) 12 July 2001 (2001-07-12) figure 10b -----	1-25

INTERNATIONAL SEARCH REPORT

International application No.
PCT/EP2009/005045

Box No. II Observations where certain claims were found unsearchable (Continuation of item 2 of first sheet)

This international search report has not been established in respect of certain claims under Article 17(2)(a) for the following reasons:

1. Claims Nos.:
because they relate to subject matter not required to be searched by this Authority, namely:

2. Claims Nos.:
because they relate to parts of the international application that do not comply with the prescribed requirements to such an extent that no meaningful international search can be carried out, specifically:

3. Claims Nos.:
because they are dependent claims and are not drafted in accordance with the second and third sentences of Rule 6.4(a).

Box No. III Observations where unity of invention is lacking (Continuation of item 3 of first sheet)

This International Searching Authority found multiple inventions in this international application, as follows:

see additional sheet

1. As all required additional search fees were timely paid by the applicant, this international search report covers all searchable claims.
2. As all searchable claims could be searched without effort justifying an additional fees, this Authority did not invite payment of additional fees.
3. As only some of the required additional search fees were timely paid by the applicant, this international search report covers only those claims for which fees were paid, specifically claims Nos.:
4. No required additional search fees were timely paid by the applicant. Consequently, this international search report is restricted to the invention first mentioned in the claims; it is covered by claims Nos.:

Remark on Protest

- The additional search fees were accompanied by the applicant's protest and, where applicable, the payment of a protest fee.
- The additional search fees were accompanied by the applicant's protest but the applicable protest fee was not paid within the time limit specified in the invitation.
- No protest accompanied the payment of additional search fees.

FURTHER INFORMATION CONTINUED FROM PCT/ISA/ 210

This International Searching Authority found multiple (groups of) inventions in this international application, as follows:

1. claims: 1-8, 23-25

Dental implant with varying length of thread face along the implant's longitudinal axis

2. claims: 9-22

Dental implant with tapering root surface

INTERNATIONAL SEARCH REPORT

Information on patent family members

International application No PCT/EP2009/005045
--

Patent document cited in search report	Publication date	Patent family member(s)	Publication date
EP 0696445	A1	14-02-1996	NONE
US 2005164146	A1	28-07-2005	AT 389366 T 15-04-2008 AU 2005209292 A1 11-08-2005 BR PI0507163 A 26-06-2007 CA 2554573 A1 11-08-2005 DE 602005005452 T2 19-02-2009 EP 1715807 A1 02-11-2006 EP 1952781 A2 06-08-2008 ES 2300982 T3 16-06-2008 JP 2007519490 T 19-07-2007 KR 20060135786 A 29-12-2006 US 2007292820 A1 20-12-2007 WO 2005072640 A1 11-08-2005
US 5435723	A	25-07-1995	US 5527183 A 18-06-1996
EP 1598028	A1	23-11-2005	AT 380518 T 15-12-2007 CA 2507324 A1 19-11-2005 DE 602004010622 T2 11-12-2008 JP 2005329244 A 02-12-2005 US 2005266382 A1 01-12-2005
WO 0149199	A2	12-07-2001	AT 424781 T 15-03-2009 AU 1981301 A 16-07-2001 EP 1259188 A2 27-11-2002 ES 2325054 T3 25-08-2009 JP 2003518980 T 17-06-2003