



US0D1024983S

(12) **United States Design Patent**
Severino

(10) **Patent No.:** **US D1,024,983 S**

(45) **Date of Patent:** **** Apr. 30, 2024**

(54) **REMOTE CONTROL**

(71) Applicant: **FAAC S.p.A.**, Zola Predosa (IT)

(72) Inventor: **Giuseppe Severino**, Bologna (IT)

(73) Assignee: **FAAC S.p.A.**, Zola Predosa (IT)

(**) Term: **15 Years**

(21) Appl. No.: **29/854,287**

(22) Filed: **Sep. 23, 2022**

(30) **Foreign Application Priority Data**

May 27, 2022 (EM) 009044563-0001

(51) **LOC (14) Cl.** **14-03**

(52) **U.S. Cl.**
USPC **D13/168; D8/347**

(58) **Field of Classification Search**

USPC D13/162, 164, 168; D14/218, 247;
D10/78, 104.1, 106.1; D21/329; D8/347;
D3/207, 208

CPC G08C 17/02; G08C 19/00; G08C 19/12;
G08C 19/28; G08C 23/04; H04B 1/202;
H05B 47/10; H05B 47/19; H03J 9/00;
H03J 9/02; H03J 9/04; H03J 9/06; H03J
1/0025; H01H 9/0225; H01H 9/0228;
H01H 9/0235; A44B 15/005; B23C 1/20;
G07C 9/00944; G07C 2009/0096; G07C
2009/00984; E05B 19/00; E05B 19/04;
E05B 19/043; E05B 19/20

See application file for complete search history.

(56) **References Cited**

U.S. PATENT DOCUMENTS

D375,696 S * 11/1996 Seki D14/218
D390,830 S * 2/1998 Issa D10/104.1
D392,944 S * 3/1998 Issa D10/104.1

D419,474 S * 1/2000 Issa D10/104.1
D528,511 S * 9/2006 Li D13/168
D528,512 S * 9/2006 Li D13/168
D528,992 S 9/2006 Hobart et al.
D592,158 S * 5/2009 Peterson D13/168
D611,915 S 3/2010 Felegy, Jr. et al.
8,662,688 B2 * 3/2014 Nickel G07C 9/00944
362/23.05
D712,381 S * 9/2014 Hwang D14/218
D730,152 S * 5/2015 Kirzinger D8/347
9,129,458 B2 * 9/2015 Geldmacher G05G 1/02
9,918,524 B2 * 3/2018 Byrd A44B 15/005
9,959,688 B2 * 5/2018 Saito G07C 9/00944
D844,574 S * 4/2019 Kandler D13/168
D939,928 S * 1/2022 Campbell D8/347
D944,217 S * 2/2022 Lu D13/168
D952,581 S * 5/2022 Wang D13/168

(Continued)

FOREIGN PATENT DOCUMENTS

AU 198604093 2/1986
AU 201312446 5/2013

(Continued)

Primary Examiner — Selina Sikder

(74) *Attorney, Agent, or Firm* — Element IP, PLC

(57)

CLAIM

The ornamental design for a remote control, as shown and described.

DESCRIPTION

FIG. 1 is a top perspective view the remote control, showing my new design;

FIG. 2 is a top view thereof;

FIG. 3 is a bottom view thereof;

FIG. 4 is a left side view thereof;

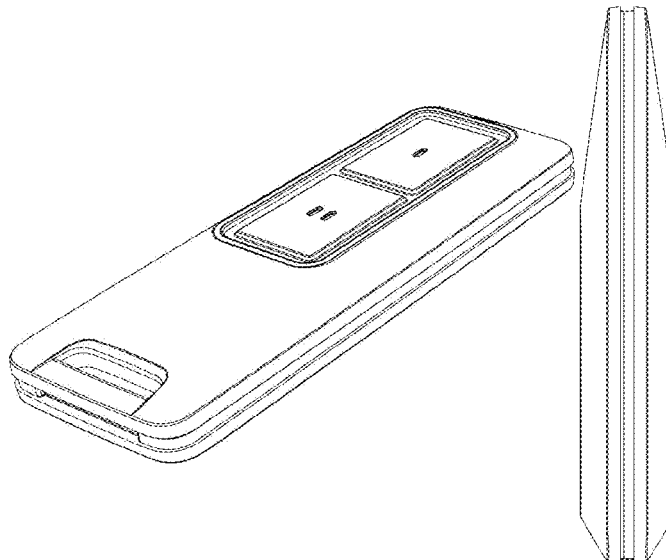
FIG. 5 is a right side view thereof;

FIG. 6 is a front view thereof;

FIG. 7 is a rear view thereof; and,

FIG. 8 is a bottom perspective view thereof.

1 Claim, 8 Drawing Sheets



(56) **References Cited**

U.S. PATENT DOCUMENTS

D956,701 S * 7/2022 Wang D13/168
2009/0128288 A1* 5/2009 Fujimoto G07C 9/00944
340/5.64
2010/0102927 A1* 4/2010 Monig E05B 19/04
340/5.64
2015/0282338 A1* 10/2015 Lu E05B 19/00
361/752
2017/0095040 A1* 4/2017 Byrd A44B 15/005
2022/0198858 A1* 6/2022 Furst B26B 11/001
2023/0034203 A1* 2/2023 Buss G07C 9/26
2023/0058744 A1* 2/2023 Lim G07C 9/00309
2023/0093918 A1* 3/2023 Romero B60R 25/104
340/426.18

FOREIGN PATENT DOCUMENTS

AU 202015540 10/2020
EM 000230578-0002 9/2004
EM 000248695-0002 11/2004
EM 000906847-0001 4/2008
EM 001158885-0001 8/2009
EM 001860974-0001 5/2011
EM 001907767-0001 8/2011
EM 001348106-0005 9/2012
EM 003461730-0002 11/2016
EM 003780428-0001 3/2017
EM 008480628-0001 3/2021
EM 009044563-0002 5/2022
EM 002285635-0002 8/2023
JP 2009017056 A 1/2009
JP 2015025106 A 2/2015

* cited by examiner

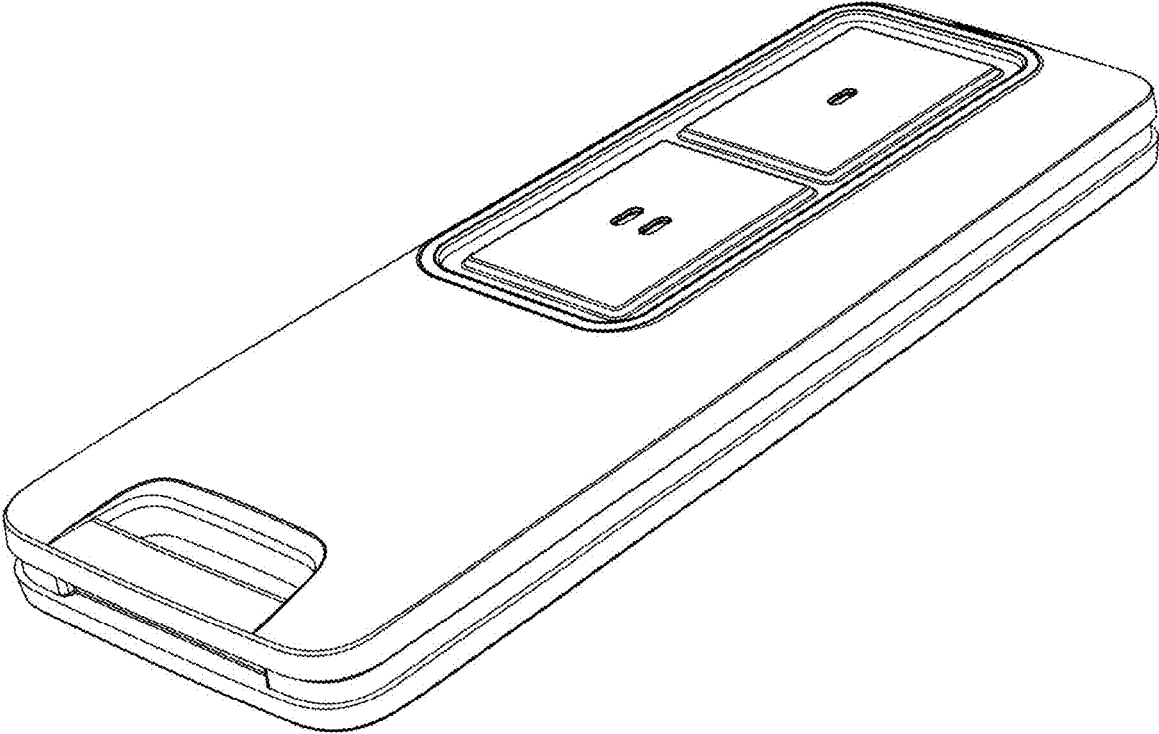


FIG. 1

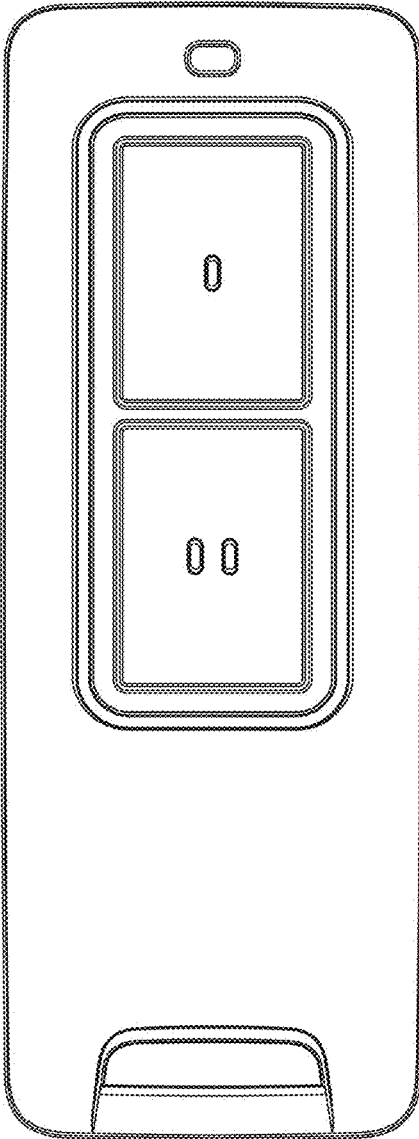


FIG. 2

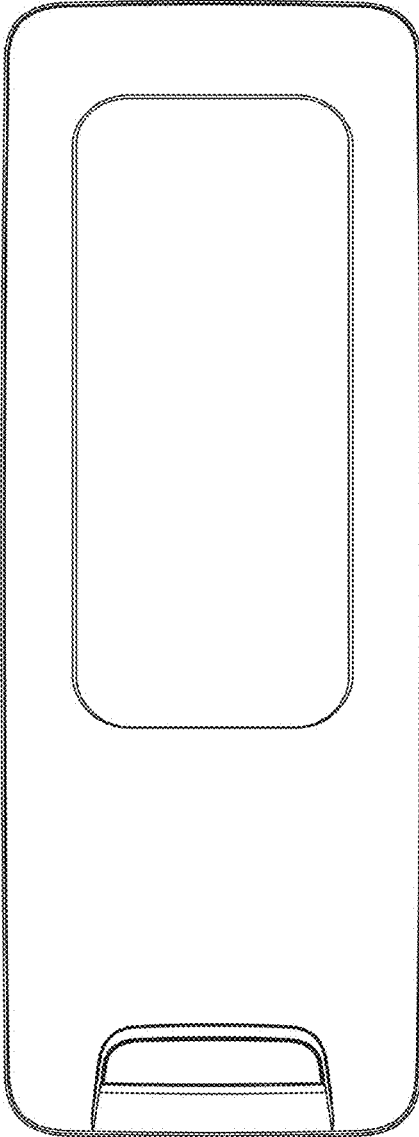


FIG. 3

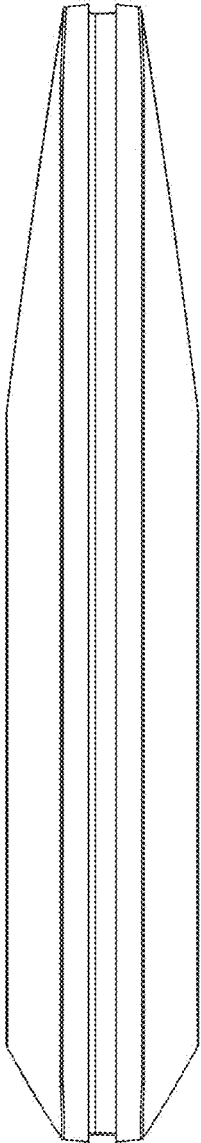


FIG. 4

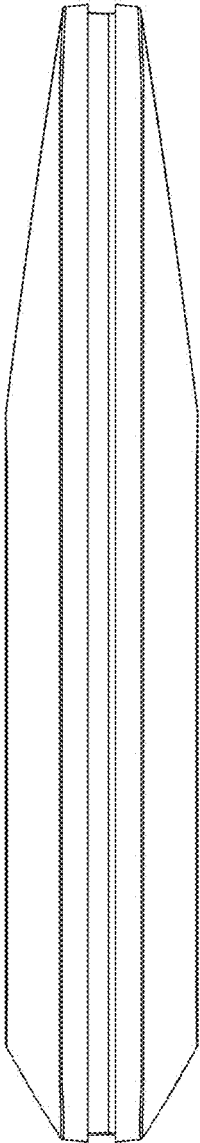


FIG. 5

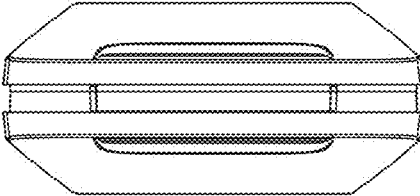


FIG. 6

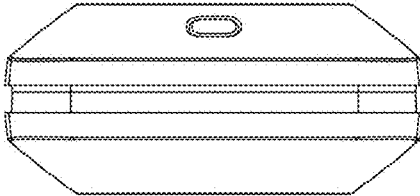


FIG. 7

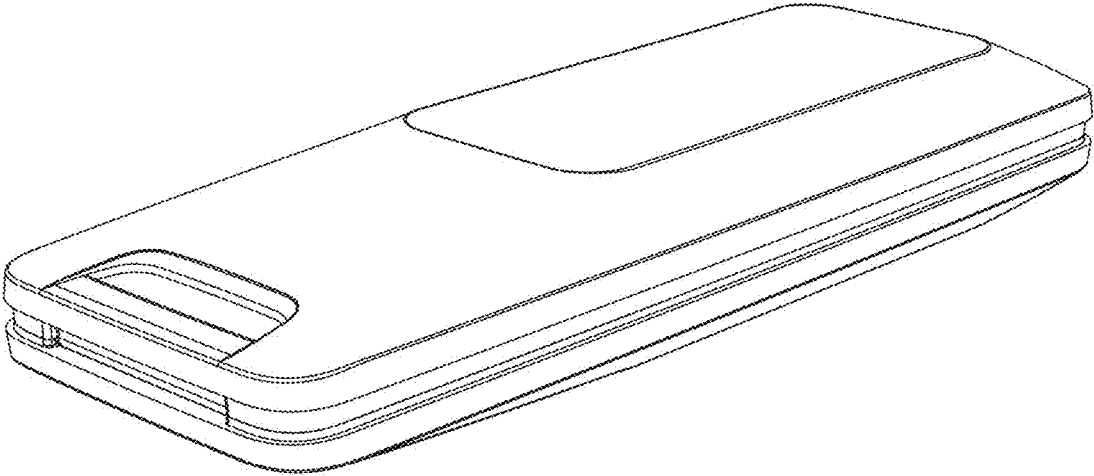


FIG. 8