

July 17, 1951

M. NOVOTNY
TABERNACLE OR SIMILAR ARTICLE

Des. 163,959

Filed Dec. 23, 1949

FIG. 2

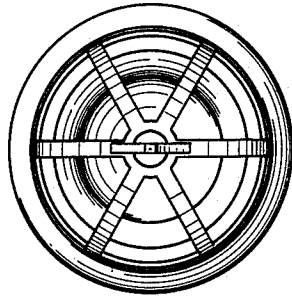


FIG. 3

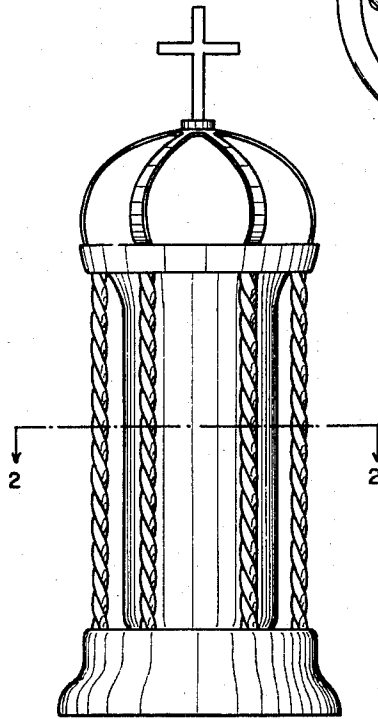
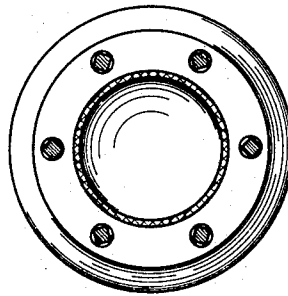


FIG. 1

INVENTOR.

Marian Kovalev

UNITED STATES PATENT OFFICE

163,959

TABERNACLE OR SIMILAR ARTICLE

Marian Novotny, Forest Hills, N. Y.

Application December 23, 1949, Serial No. 6,825

Term of patent 7 years

(Cl. D29-24)

To all whom it may concern:

Be it known that I, Marian Novotny, a citizen of the United States, residing at 66--20 103th Street, Forest Hills, in the county of Queens, and State of New York, have invented a new, original, and ornamental Design for a Tabernacle or Similar Article, of which the following is a specification, reference being had to the accompanying drawing, forming part thereof.

Fig. 1 is a side elevational view of a tabernacle or similar article showing my new design;

Fig. 2 is a top plan view; and

Fig. 3 is a cross sectional view taken along line 2-2 of Fig. 1.

I claim:

The ornamental design for a tabernacle or similar article, as shown.

MARIAN NOVOTNY.

REFERENCES CITED

The following references are of record in the file of this patent:

UNITED STATES PATENTS

Number	Name	Date
D. 155,942	Tedeschi	Nov. 8, 1949

OTHER REFERENCES

Benziger Brothers Inc.; Catalog, 1949, page 15, Item #4412.

"Essential Goods"; Benziger Brothers Catalog, 1945, page 301, Item #4420.

Gift and Art Buyer; February 1946, page 6, bottom article.