



US00D711237S

(12) **United States Design Patent**
Fleischhacker

(10) **Patent No.:** **US D711,237 S**

(45) **Date of Patent:** **** Aug. 19, 2014**

(54) **PLASTIC CONTAINER**

(71) Applicant: **Plastipak Packaging, Inc.**, Plymouth, MI (US)

(72) Inventor: **Kyle Fleischhacker**, Detroit, MI (US)

(73) Assignee: **Plastipak Packaging, Inc.**, Plymouth, MI (US)

(**) Term: **14 Years**

(21) Appl. No.: **29/452,050**

(22) Filed: **Apr. 11, 2013**

(51) **LOC (10) Cl.** **09-01**

(52) **U.S. Cl.**

USPC **D9/526**; D9/560; D9/527; D9/543

(58) **Field of Classification Search**

USPC D9/414, 417, 424, 430, 516, 517, 518, D9/522, 523, 527, 528, 530, 531, 532, 540, D9/560, 575; D7/397, 601, 602, 612, D7/619.1, 622; D23/211.1; 220/62.12, 220/260, 675, 752, 770, 771, 796, DIG. 12; 222/465.1; 229/125.15

See application file for complete search history.

(56) **References Cited**

U.S. PATENT DOCUMENTS

1,380,066	A	*	5/1921	Johnson	222/465.1
D110,333	S	*	7/1938	Aizic	D9/526
D110,477	S	*	7/1938	Carpenter	D9/526
D124,054	S	*	12/1940	Ansell	D9/526
3,298,575	A	*	1/1967	Larsen	222/399
D234,019	S	*	12/1974	D'Alo	D9/523
D252,257	S	*	7/1979	Dobbs et al.	D9/528
D273,563	S	*	4/1984	Jeans et al.	D9/522
D309,080	S	*	7/1990	Buchholz	D9/543
5,106,015	A	*	4/1992	Vlasaty et al.	229/125.15
D343,093	S	*	1/1994	Sabin et al.	D7/612
D345,103	S	*	3/1994	Welsch et al.	D9/528

D346,555	S	*	5/1994	Binder	D9/522
D350,877	S	*	9/1994	VanValkenburg et al.	D7/612
D505,076	S	*	5/2005	Logan	D9/528
D531,514	S	*	11/2006	Harris	D9/560
D616,752	S	*	6/2010	Adams	D9/527
D645,754	S	*	9/2011	Corbett et al.	D9/523
D645,755	S	*	9/2011	Corbett et al.	D9/530
D653,548	S	*	2/2012	Wycoff	D9/528
D691,052	S	*	10/2013	Minghetti	D9/528

* cited by examiner

Primary Examiner — Derrick Holland

Assistant Examiner — Lauren Calve

(74) *Attorney, Agent, or Firm* — Dykema Gossett PLLC

(57) **CLAIM**

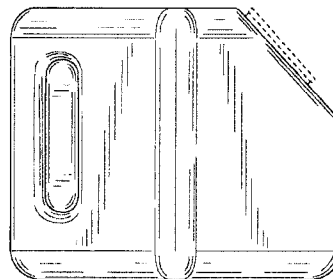
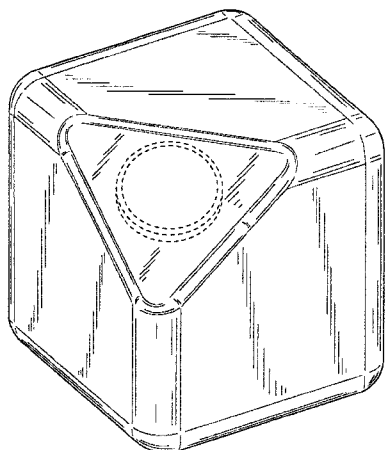
The ornamental design for a plastic container, as shown and described.

DESCRIPTION

FIG. 1 is a perspective view of a plastic container showing my design according to a first embodiment; FIG. 2 is a front elevational view thereof; FIG. 3 is a rear elevational view thereof; FIG. 4 is a left side elevational view thereof; FIG. 5 is a right side elevational view thereof; FIG. 6 is a top plan view thereof; FIG. 7 is a bottom plan view thereof; FIG. 8 is a perspective view of a plastic container according to a second embodiment; FIG. 9 is a front elevational view thereof; FIG. 10 is a rear elevational view thereof; FIG. 11 is a left side elevational view thereof; FIG. 12 is a right side elevational view thereof; FIG. 13 is a top plan view thereof; and, FIG. 14 is a bottom plan view thereof.

The broken line showing of the plastic container represents unclaimed subject matter and forms no part of the claimed design.

1 Claim, 8 Drawing Sheets



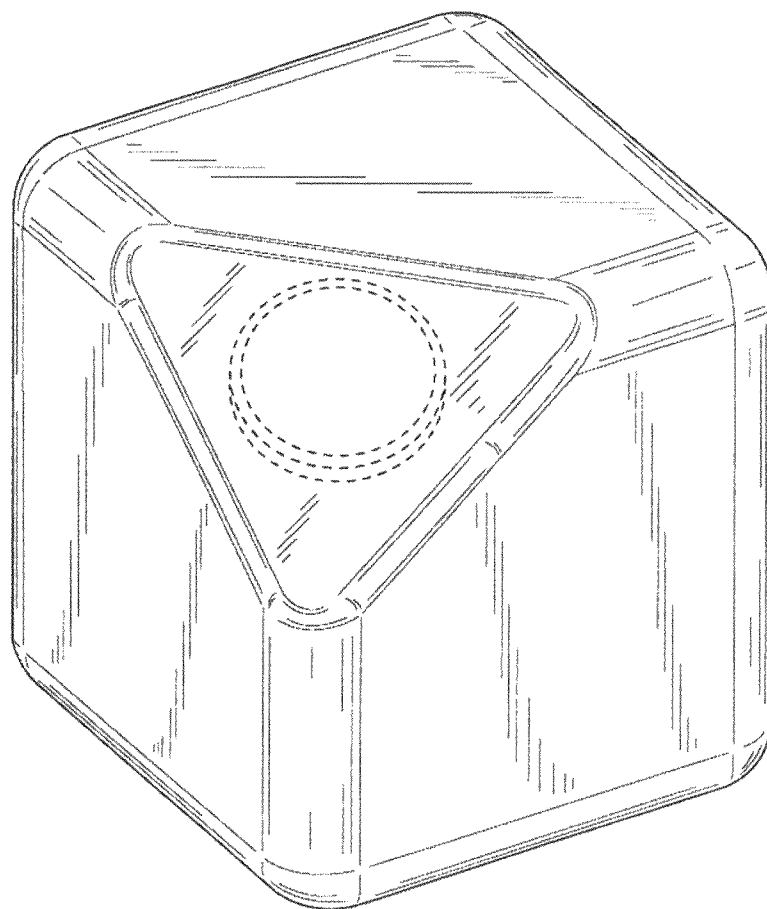


FIG. 1

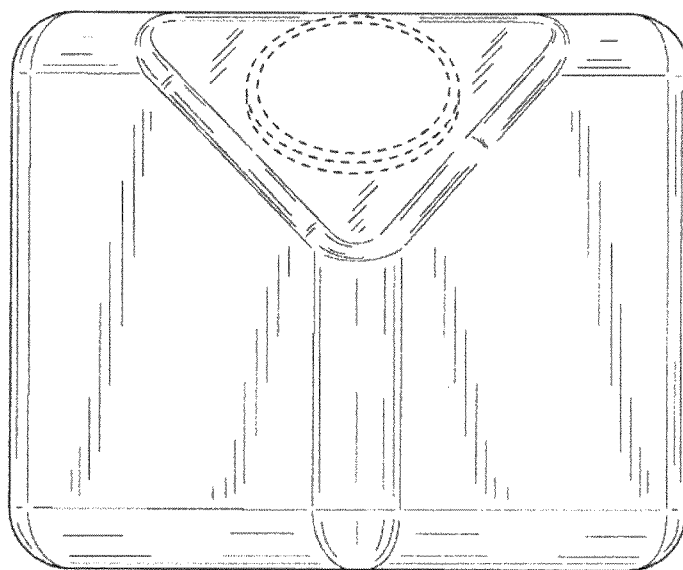


FIG. 2

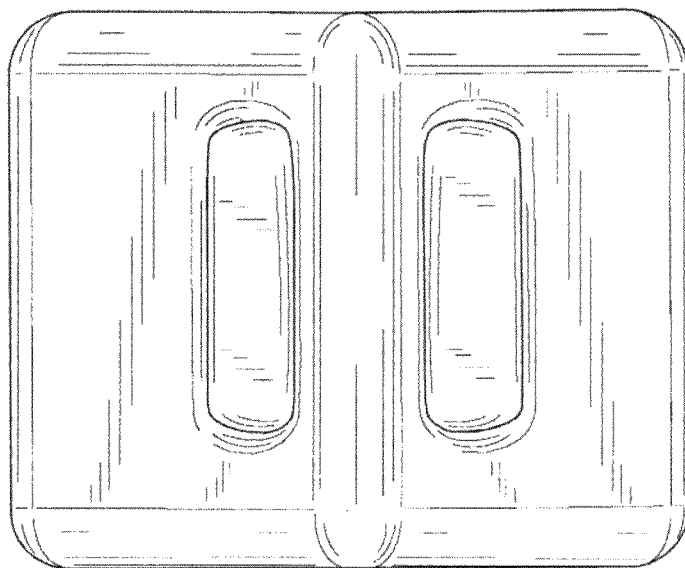


FIG. 3

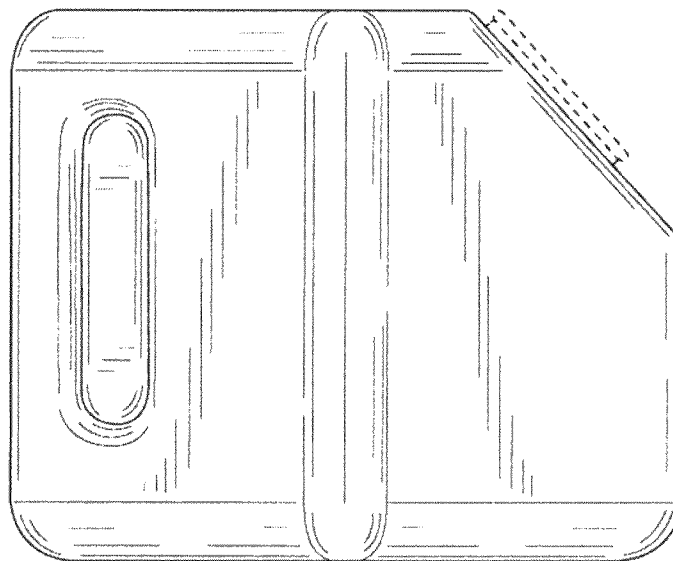


FIG. 4

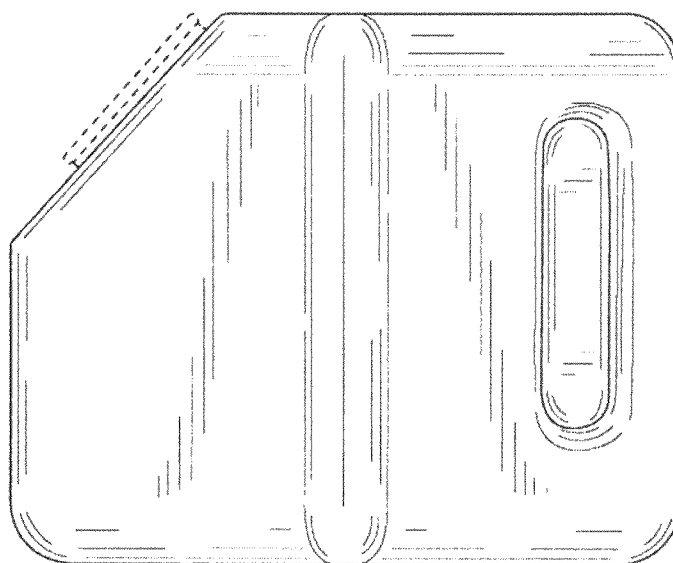


FIG. 5

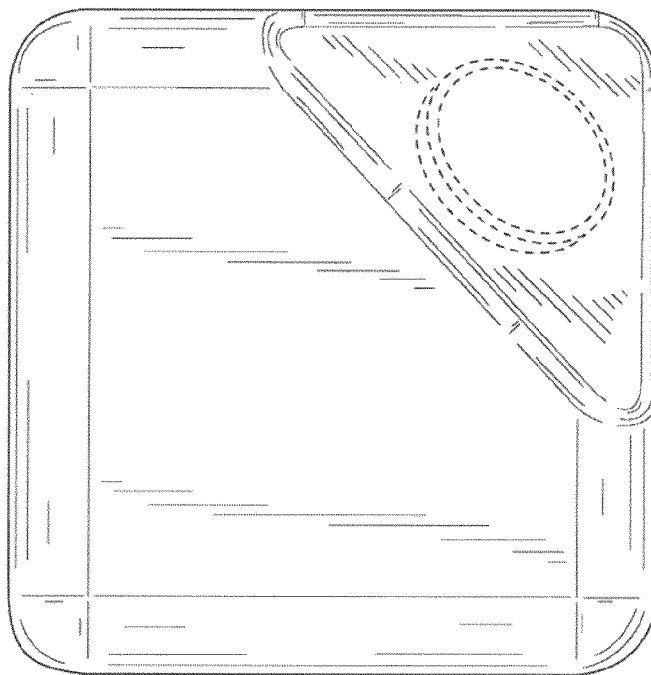


FIG. 6

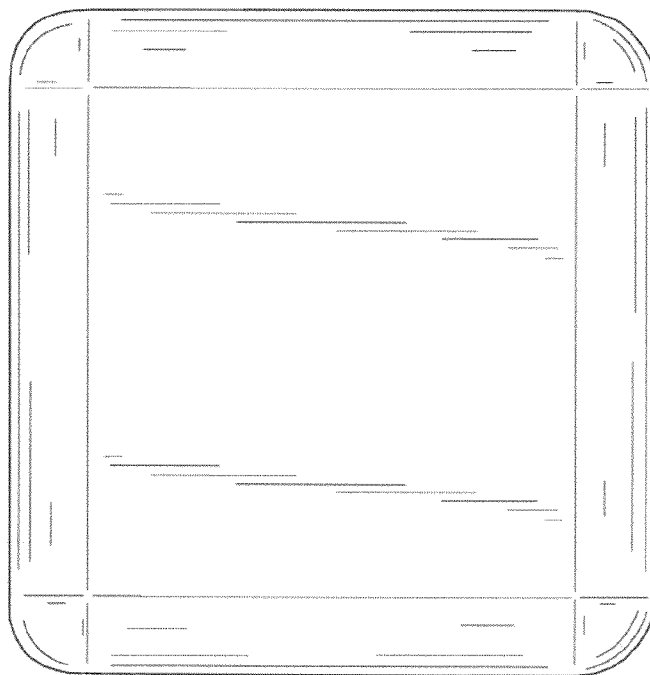


FIG. 7

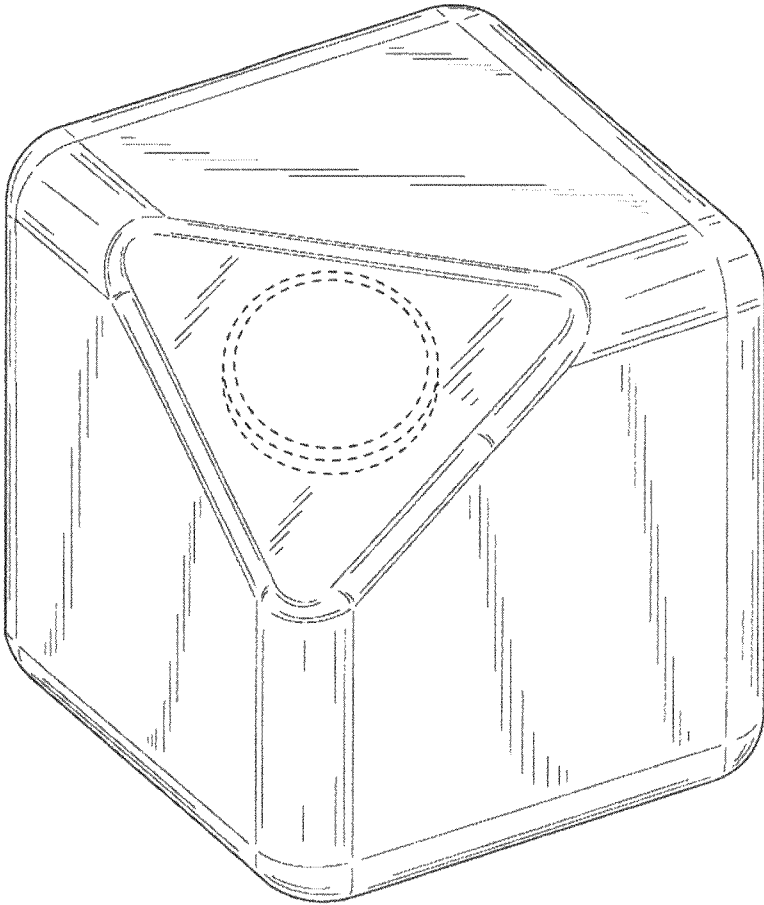


FIG. 8

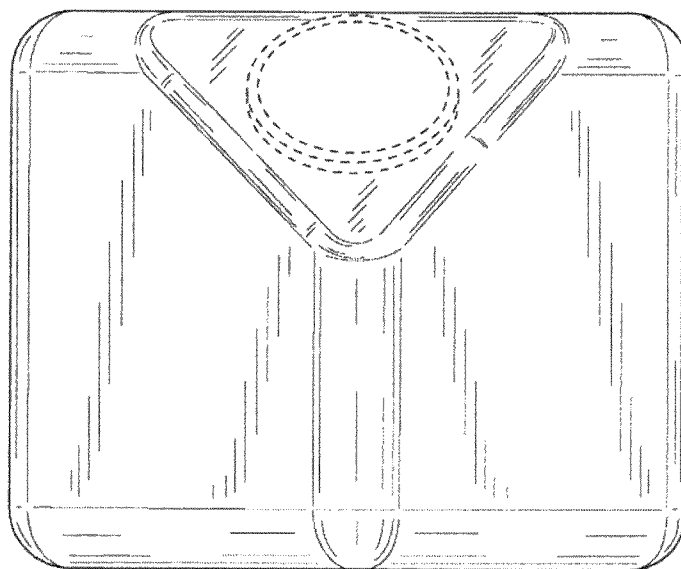


FIG. 9

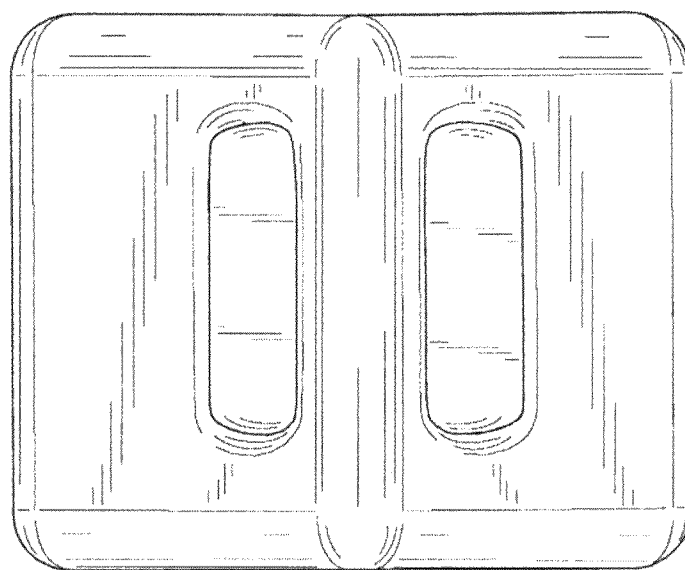


FIG. 10

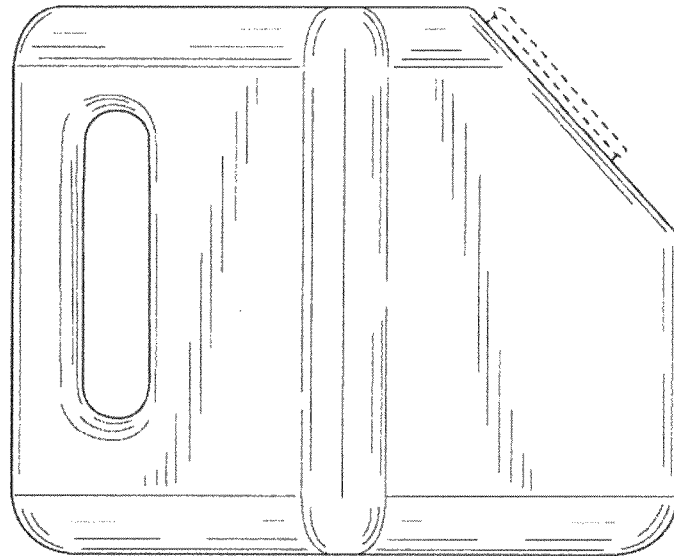


FIG. 11

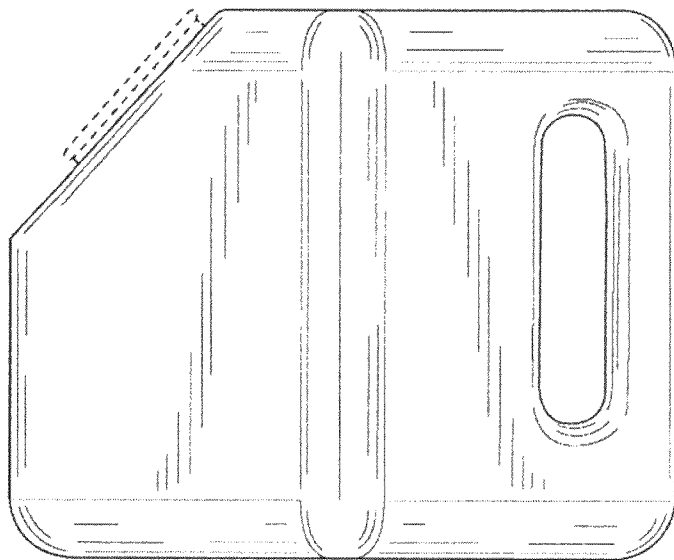


FIG. 12

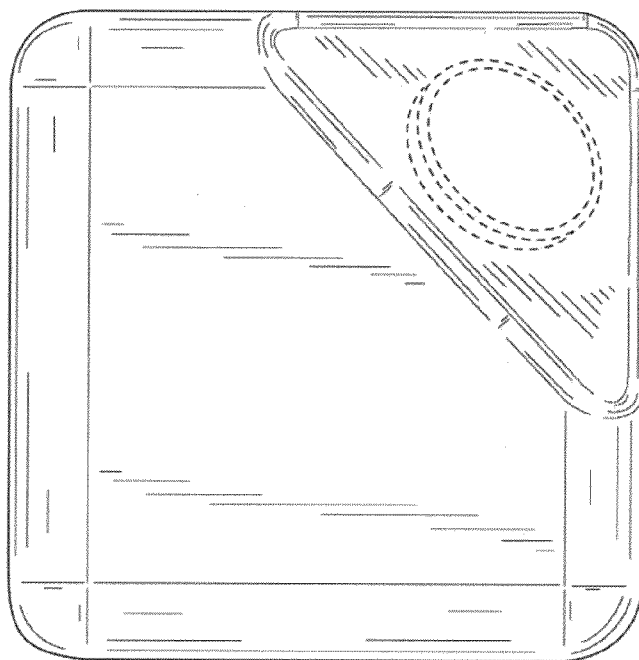


FIG. 13

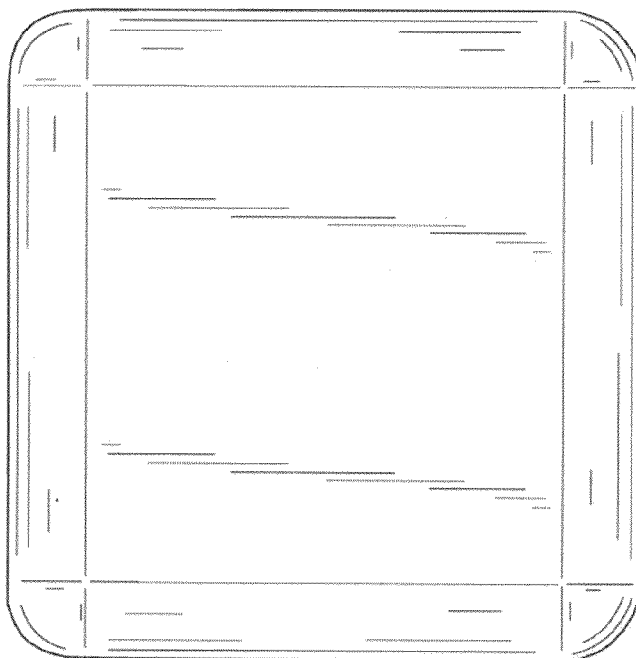


FIG. 14