



US00D336665S

United States Patent [19]

[11] Patent Number: Des. 336,665

Tugendhaft

[45] Date of Patent: ** Jun. 22, 1993

[54] COMBINED TOY PLANE AND VIDEO GAME

D. 262,719	1/1982	Dweck	D21/13
D. 309,474	7/1990	Murai	D19/75
4,767,334	8/1988	Thorne et al.	446/7 X

[75] Inventor: Majer Tugendhaft, Amstelveen, Netherlands

Primary Examiner—Bernard Ansher
Assistant Examiner—Dominic Simone
Attorney, Agent, or Firm—Knobbe, Martens, Olson & Bear

[73] Assignee: Sparco International B.V., Netherlands

[**] Term: 14 Years

[57] CLAIM

[21] Appl. No.: 665,455

The ornamental design for a combined toy plane and video game, as shown and described.

[22] Filed: Mar. 6, 1991

DESCRIPTION

[30] Foreign Application Priority Data

Sep. 6, 1990 [XB] Benelux 65848-00

[52] U.S. Cl. D21/87; D21/13

[58] Field of Search D21/13, 82, 87; D19/65, D19/69, 75; D14/143, 176, 189; 446/7; 273/85

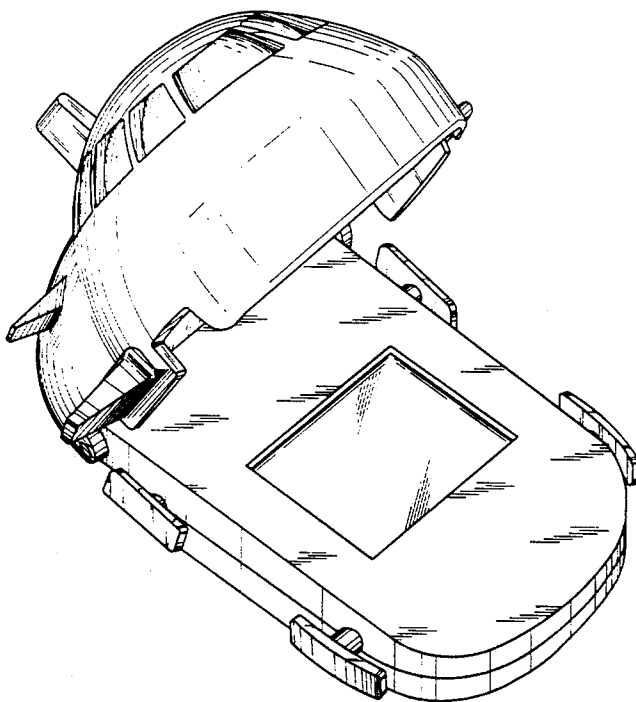
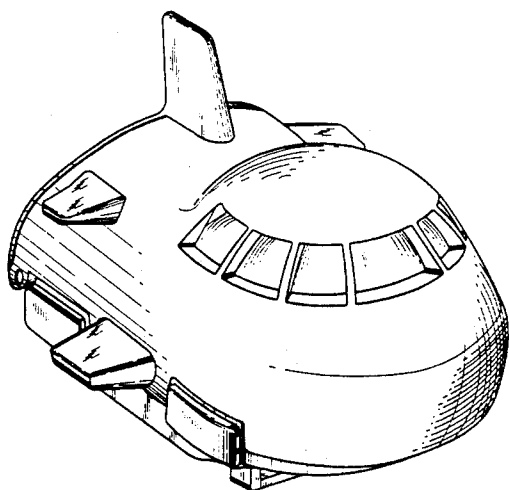
G

[56] References Cited

U.S. PATENT DOCUMENTS

D. 189,484	12/1960	Ramniceanu	D21/87 X
D. 195,680	7/1963	Braun et al.	D21/83

FIG. 1 is a perspective view of a combined toy plane and video game showing my new design;
 FIG. 2 is a front elevational view thereof;
 FIG. 3 is a left side elevational view thereof which is a mirror image of the right side;
 FIG. 4 is a rear view thereof;
 FIG. 5 is a top plan view thereof;
 FIG. 6 is a bottom plan view thereof;
 FIG. 7 is a perspective view thereof with the top of the toy plane raised;
 FIG. 8 is a front view of the toy plane of FIG. 7; and,
 FIG. 9 is a side view of the toy plane of FIG. 7.



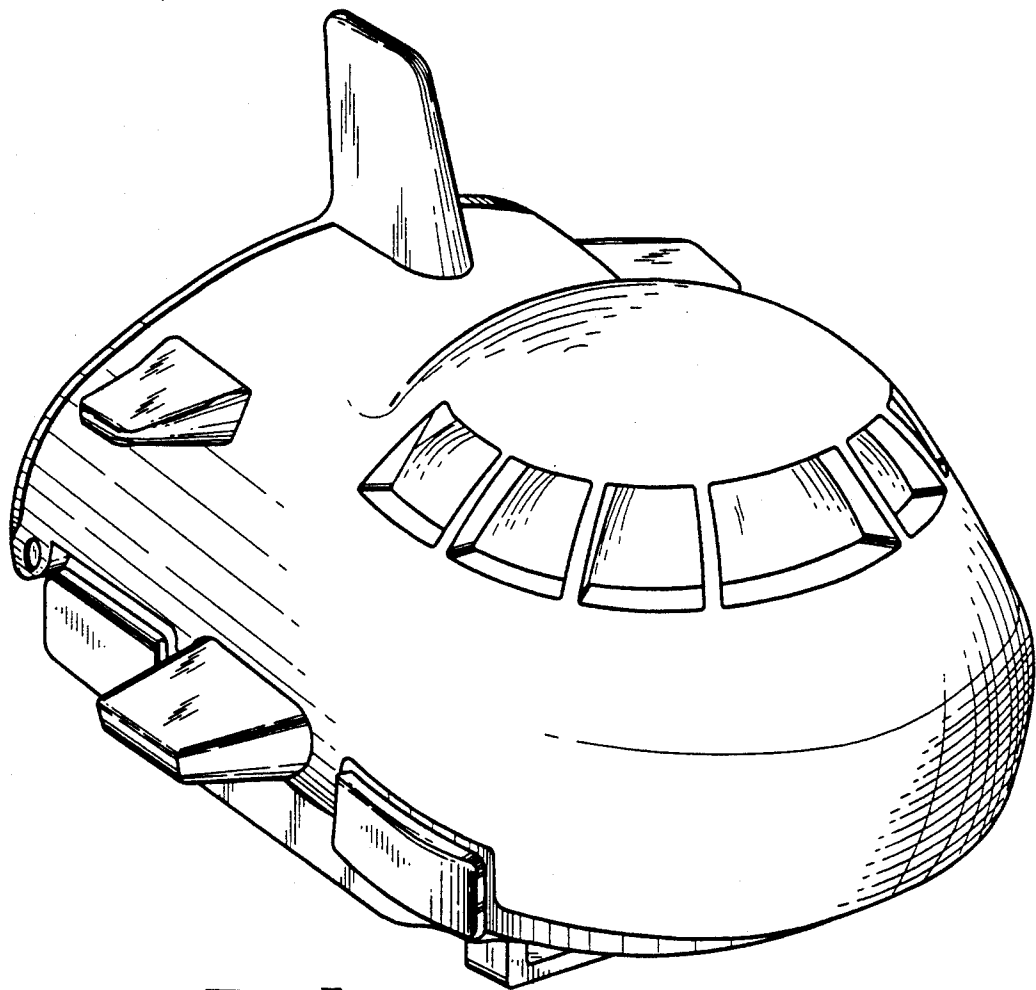


Fig. 1

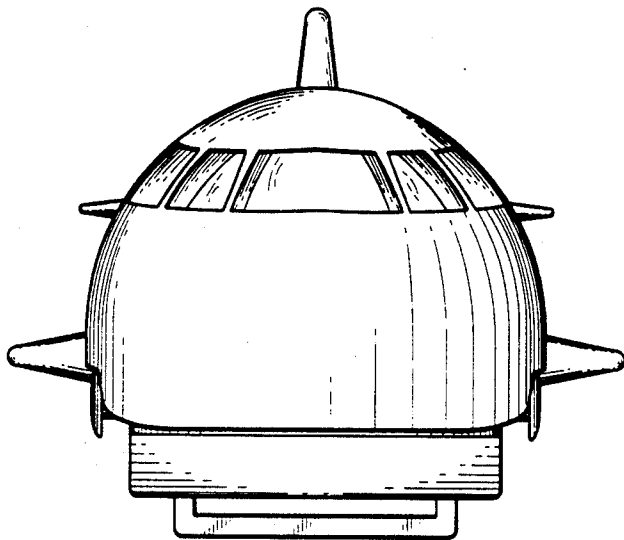


Fig. 2

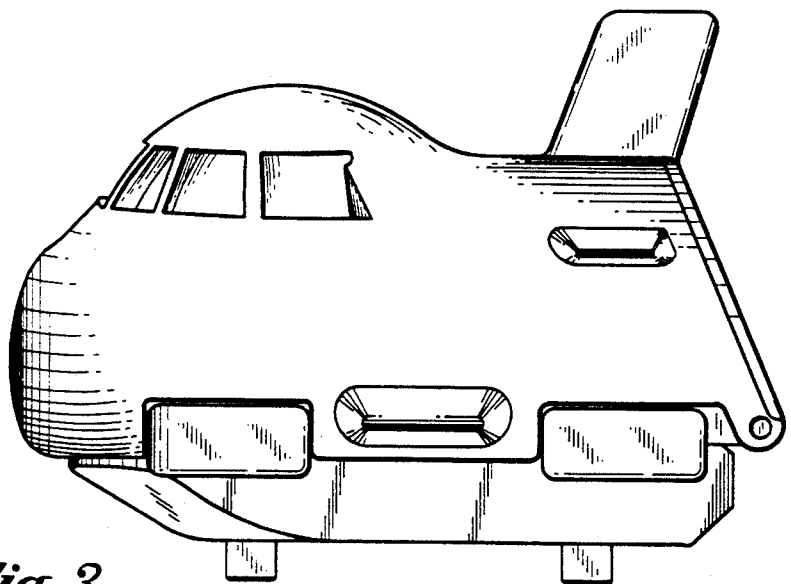


Fig. 3

Fig. 4

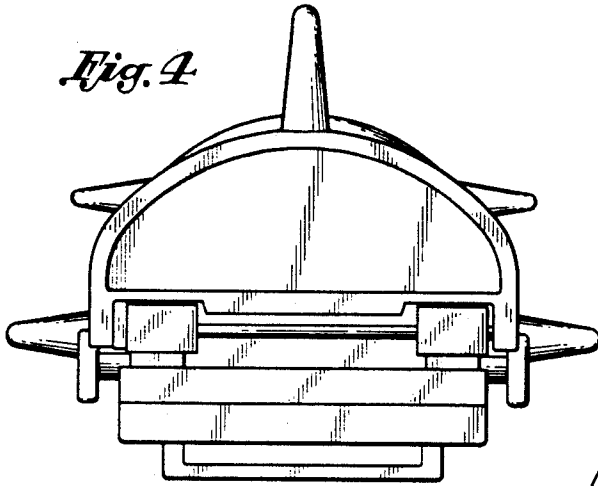


Fig. 5

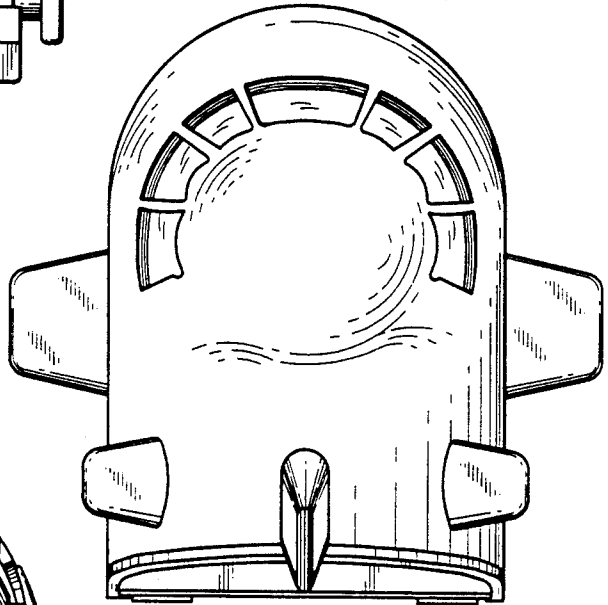
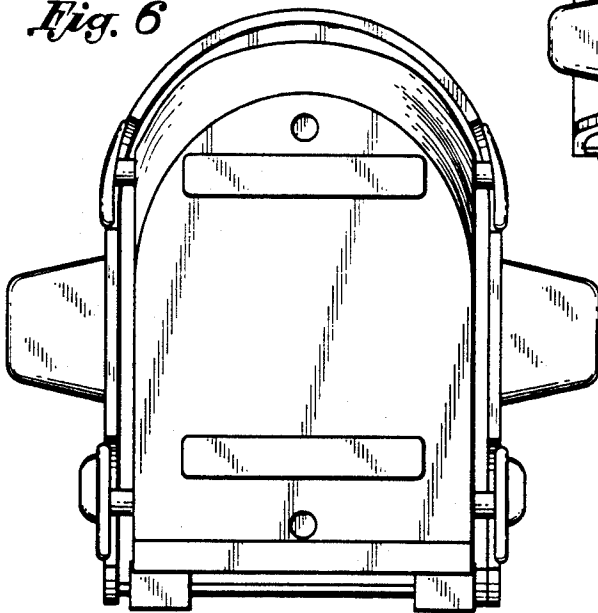


Fig. 6



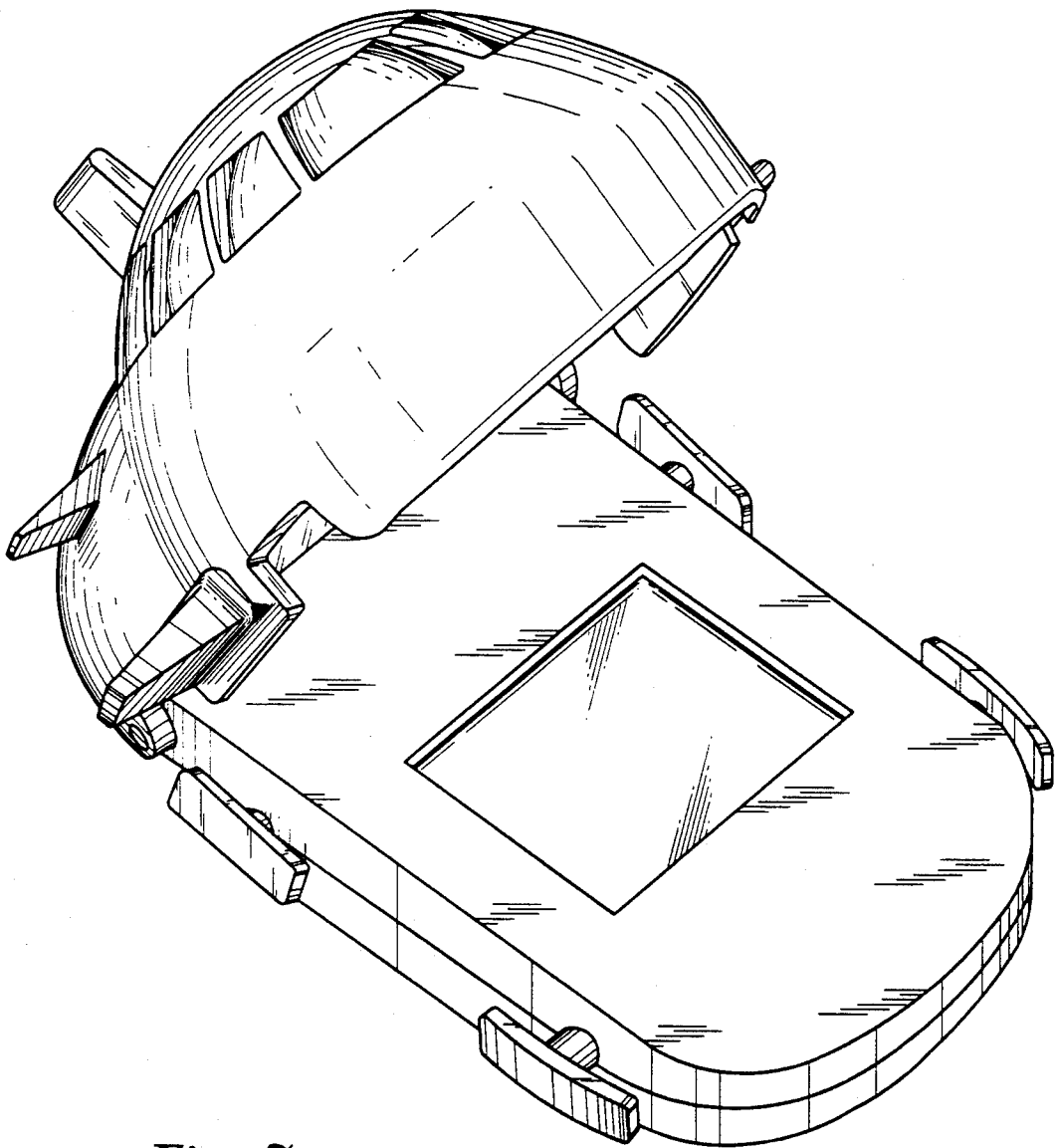


Fig. 7

