

[54] RAZOR ORGANIZER

[76] Inventor: William M. White, P.O. Box 573, Waycross, Ga. 31501

[**] Term: 14 Years

[21] Appl. No.: 72,592

[22] Filed: Jul. 13, 1987

[52] U.S. Cl. D6/526

[58] Field of Search D6/524, 526, 553, 554, D6/567, 574; 211/13, 30, 32, 60.1, 66, 64, 69.9, 70.6, 70.7, 86-87, 105.1, 105.2; 108/30, 59; 221/66, 283

[56] References Cited

U.S. PATENT DOCUMENTS

- D. 179,714 2/1957 Wise D6/526
- D. 262,504 1/1982 Flynn D6/574
- D. 272,388 1/1984 Wilkinson D6/574 X
- D. 286,119 10/1986 Enquist D6/552
- D. 287,916 1/1987 DeGarbino et al. D6/567
- 3,192,894 7/1965 Staver .

- 3,685,660 8/1972 Saunders 211/13 X
- 3,698,563 10/1972 Gordon et al. 211/13
- 3,746,177 7/1973 Viloth 211/64
- 4,583,647 4/1986 Schinzing 211/60.1

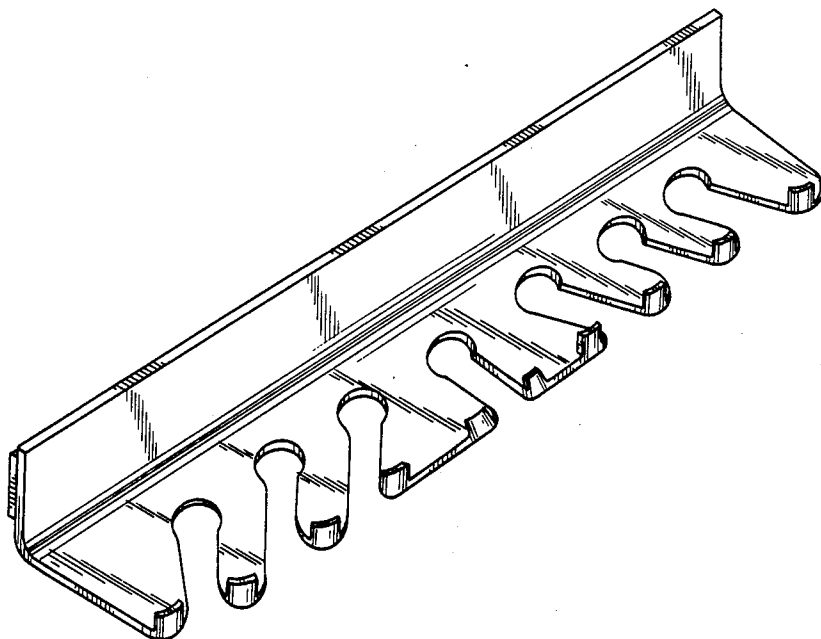
Primary Examiner—Wallace R. Burke
Assistant Examiner—Brian N. Vinson
Attorney, Agent, or Firm—Norman B. Rainer

[57] CLAIM

The ornamental design for a razor organizer, as shown and described.

DESCRIPTION

FIG. 1 is a top plan view of a razor organizer showing my new design;
FIG. 2 is a front elevational view thereof;
FIG. 3 is a right side elevational view thereof, the left side being a mirror image of that shown;
FIG. 4 is a rear elevational view thereof; and
FIG. 5 is a perspective view thereof.
The broken-line showing of the razor in the views is for illustrative purposes only and forms no part of the claimed design.



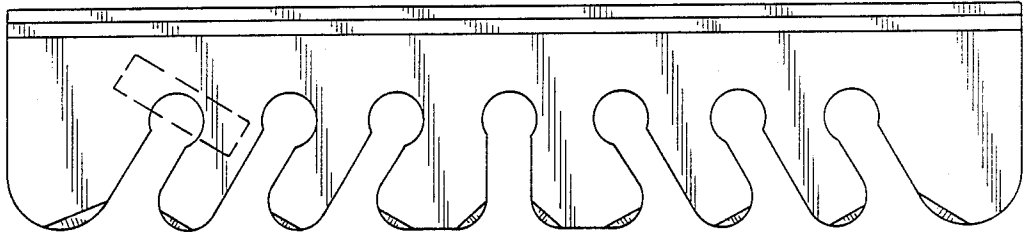


FIG. 1

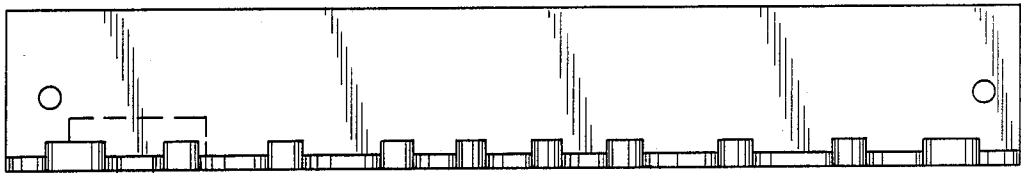


FIG. 2

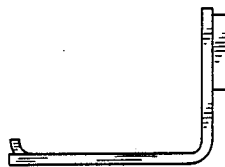


FIG. 3

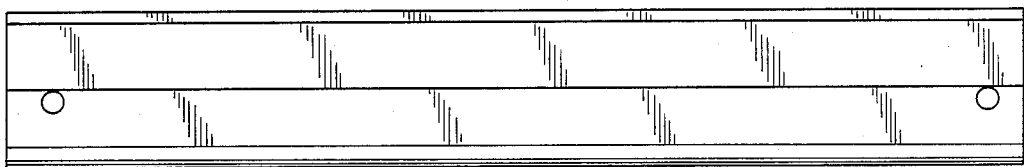


FIG. 4

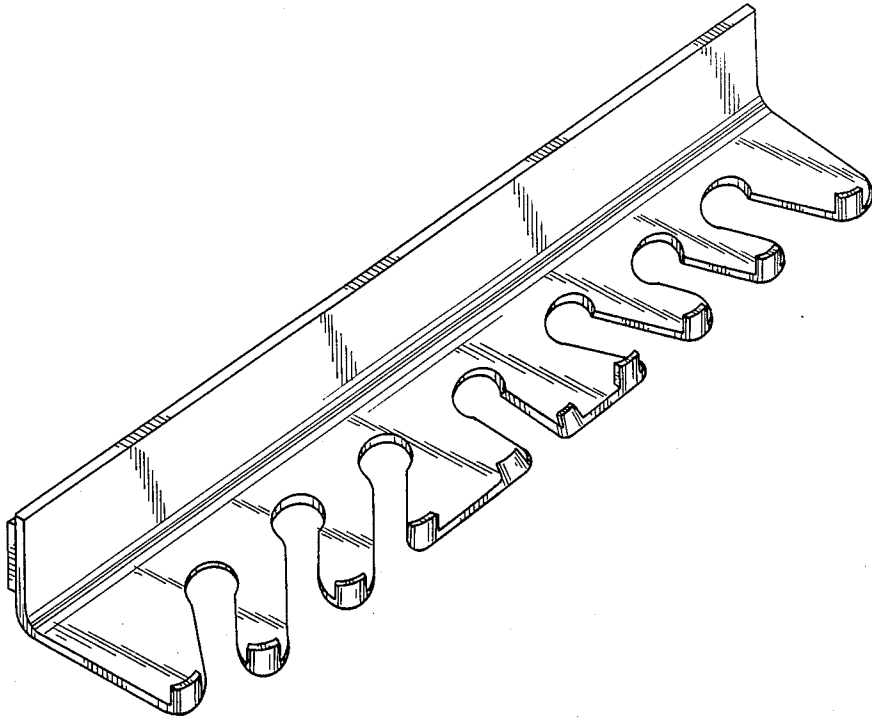


FIG. 5