

(19) World Intellectual Property Organization
International Bureau



(43) International Publication Date
13 September 2007 (13.09.2007)

PCT

(10) International Publication Number
WO 2007/104038 A3

- (51) International Patent Classification:
H04L 12/28 (2006.01) H04Q 7/38 (2006.01)
H04Q 7/32 (2006.01)
- (21) International Application Number:
PCT/US2007/063666
- (22) International Filing Date: 9 March 2007 (09.03.2007)
- (25) Filing Language: English
- (26) Publication Language: English
- (30) Priority Data:
11/373,082 9 March 2006 (09.03.2006) US
- (71) Applicant (for all designated States except US): **QUALCOMM INCORPORATED** [US/US]; Attn: International IP Administration, 5775 Morehouse Drive, San Diego, California 92121 (US).
- (72) Inventors; and
- (75) Inventors/Applicants (for US only): **JAIN, Nikhil** [US/US]; 4291 Federman Lane, San Diego, California 92130 (US). **HORN, Gavin, Bernard** [CA/US]; 8952 Caminito Fresco, La Jolla, California 92037 (US).
- (74) Agents: **OGROD, Gregory, D.** et al.; Attn: International IP Administration, 5775 Morehouse Drive, San Diego, California 92121 (US).

- (81) Designated States (unless otherwise indicated, for every kind of national protection available): AE, AG, AL, AM, AT, AU, AZ, BA, BB, BG, BR, BW, BY, BZ, CA, CH, CN, CO, CR, CU, CZ, DE, DK, DM, DZ, EC, EE, EG, ES, FI, GB, GD, GE, GH, GM, GT, HN, HR, HU, ID, IL, IN, IS, JP, KE, KG, KM, KN, KP, KR, KZ, LA, LC, LK, LR, LS, LT, LU, LY, MA, MD, MG, MK, MN, MW, MX, MY, MZ, NA, NG, NI, NO, NZ, OM, PG, PH, PL, PT, RO, RS, RU, SC, SD, SE, SG, SK, SL, SM, SV, SY, TJ, TM, TN, TR, TT, TZ, UA, UG, US, UZ, VC, VN, ZA, ZM, ZW.
- (84) Designated States (unless otherwise indicated, for every kind of regional protection available): ARIPO (BW, GH, GM, KE, LS, MW, MZ, NA, SD, SL, SZ, TZ, UG, ZM, ZW), Eurasian (AM, AZ, BY, KG, KZ, MD, RU, TJ, TM), European (AT, BE, BG, CH, CY, CZ, DE, DK, EE, ES, FI, FR, GB, GR, HU, IE, IS, IT, LT, LU, LV, MC, MT, NL, PL, PT, RO, SE, SI, SK, TR), OAPI (BF, BJ, CF, CG, CI, CM, GA, GN, GQ, GW, ML, MR, NE, SN, TD, TG).

Declarations under Rule 4.17:

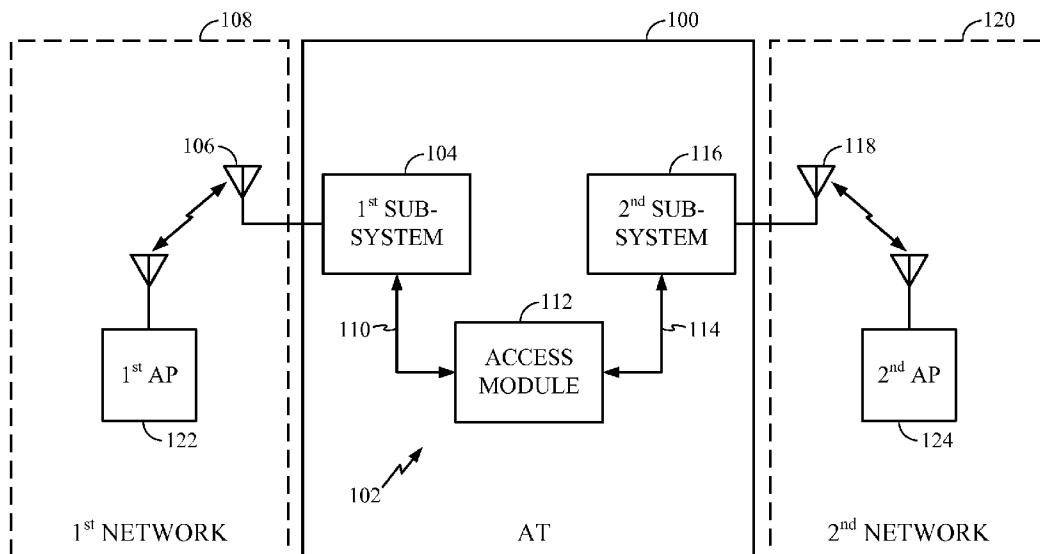
- as to applicant's entitlement to apply for and be granted a patent (Rule 4.17(ii))
- as to the applicant's entitlement to claim the priority of the earlier application (Rule 4.17(iii))

Published:

- with international search report

[Continued on next page]

(54) Title: SYSTEM AND METHOD FOR MULTI-NETWORK COVERAGE



(57) Abstract: A system and method are provided for a multi-network wireless communications access terminal (AT) to access multi-network coverage. The method registers a multi-network AT in a first communications network. In response to registering with the first network, the AT receives information via the first network that is required for accessing a second communications network (e.g., an IEEE 802.20 or 1xEV-DO network). The AT obtains services accessed via the second network, in response to the access information received via the first network. For example, the second network access information may be system information, channel information, or access point parameters. The AT retains the option of obtaining services accessed via the first network if the second network cannot be accessing the second network.

WO 2007/104038 A3



— *before the expiration of the time limit for amending the claims and to be republished in the event of receipt of amendments*

For two-letter codes and other abbreviations, refer to the "Guidance Notes on Codes and Abbreviations" appearing at the beginning of each regular issue of the PCT Gazette.

(88) Date of publication of the international search report:

3 January 2008

INTERNATIONAL SEARCH REPORT

International application No
PCT/US2007/063666

A. CLASSIFICATION OF SUBJECT MATTER
 INV. H04L12/28 H04Q7/32
 ADD. H04Q7/38

According to International Patent Classification (IPC) or to both national classification and IPC

B. FIELDS SEARCHED

Minimum documentation searched (classification system followed by classification symbols)
 H04L H04Q

Documentation searched other than minimum documentation to the extent that such documents are included in the fields searched

Electronic data base consulted during the international search (name of data base and, where practical, search terms used)
 EPO-Internal, WPI Data

C. DOCUMENTS CONSIDERED TO BE RELEVANT

Category*	Citation of document, with indication, where appropriate, of the relevant passages	Relevant to claim No.
X Y	WO 2004/077753 A (QUALCOMM INC [US]; HSU RAYMOND T [US]; SINNARAJAH RAGULAN [CA]) 10 September 2004 (2004-09-10) paragraphs [1031] - [1036], [1039], [1056] - [1059]	1-7, 16-22, 31-33 9-15, 24-30
X	US 2003/118015 A1 (GUNNARSSON MAGNUS [US] ET AL) 26 June 2003 (2003-06-26) paragraphs [0022], [0024] - [0026], [0028]	1,2,7, 16,17, 22,31-33
X	US 2004/063426 A1 (HUNKELER TERESA [CA]) 1 April 2004 (2004-04-01) paragraphs [0003] - [0009], [0021], [0022], [0024], [0029], [0031]	1,2,16, 17,31-33
	-/--	

Further documents are listed in the continuation of Box C. See patent family annex.

* Special categories of cited documents :

A document defining the general state of the art which is not considered to be of particular relevance	*T* later document published after the international filing date or priority date and not in conflict with the application but cited to understand the principle or theory underlying the invention
E earlier document but published on or after the international filing date	*X* document of particular relevance; the claimed invention cannot be considered novel or cannot be considered to involve an inventive step when the document is taken alone
L document which may throw doubts on priority claim(s) or which is cited to establish the publication date of another citation or other special reason (as specified)	*Y* document of particular relevance; the claimed invention cannot be considered to involve an inventive step when the document is combined with one or more other such documents, such combination being obvious to a person skilled in the art.
O document referring to an oral disclosure, use, exhibition or other means	*G* document member of the same patent family
P document published prior to the international filing date but later than the priority date claimed	

Date of the actual completion of the international search 23 October 2007	Date of mailing of the international search report 30/10/2007
---	---

Name and mailing address of the ISA/ European Patent Office, P.B. 5818 Patentlaan 2 NL - 2280 HV Rijswijk Tel. (+31-70) 340-2040, Tx. 31 651 epo nl, Fax: (+31-70) 340-3016	Authorized officer Weinmiller, Jost
---	---

INTERNATIONAL SEARCH REPORT

International application No
PCT/US2007/063666

C(Continuation). DOCUMENTS CONSIDERED TO BE RELEVANT		
Category*	Citation of document, with indication, where appropriate, of the relevant passages	Relevant to claim No.
X	US 2004/136318 A1 (BENTLEY KEVIN R [US]) 15 July 2004 (2004-07-15)	8, 23, 34-36
Y	paragraphs [0023], [0026] -----	9-15, 24-30

INTERNATIONAL SEARCH REPORT

International application No.
PCT/US2007/063666

Box No. II Observations where certain claims were found unsearchable (Continuation of item 2 of first sheet)

This international search report has not been established in respect of certain claims under Article 17(2)(a) for the following reasons:

1. Claims Nos.:
because they relate to subject matter not required to be searched by this Authority, namely:

2. Claims Nos.:
because they relate to parts of the international application that do not comply with the prescribed requirements to such an extent that no meaningful international search can be carried out, specifically:

3. Claims Nos.:
because they are dependent claims and are not drafted in accordance with the second and third sentences of Rule 6.4(a).

Box No. III Observations where unity of invention is lacking (Continuation of item 3 of first sheet)

This International Searching Authority found multiple inventions in this international application, as follows:

see additional sheet

1. As all required additional search fees were timely paid by the applicant, this international search report covers allsearchable claims.
2. As all searchable claims could be searched without effort justifying an additional fees, this Authority did not invite payment of additional fees.
3. As only some of the required additional search fees were timely paid by the applicant, this international search report covers only those claims for which fees were paid, specifically claims Nos.:
4. No required additional search fees were timely paid by the applicant. Consequently, this international search report is restricted to the invention first mentioned in the claims; it is covered by claims Nos.:

Remark on Protest

The additional search fees were accompanied by the applicant's protest and, where applicable, the payment of a protest fee.

The additional search fees were accompanied by the applicant's protest but the applicable protest fee was not paid within the time limit specified in the invitation.

No protest accompanied the payment of additional search fees.

INTERNATIONAL SEARCH REPORT

International Application No. PCT/US2007 /063666

FURTHER INFORMATION CONTINUED FROM PCT/ISA/ 210

This International Searching Authority found multiple (groups of) inventions in this international application, as follows:

1. claims: 1-7,16-22,31-33

receiving access information required to access a second network from the access point of a first network

2. claims: 8-15,23-30,34-36

access point of a second network detects presence of an access point of a first network and ceases to broadcast of access information

INTERNATIONAL SEARCH REPORT

Information on patent family members

International application No

PCT/US2007/063666

Patent document cited in search report		Publication date	Patent family member(s)	Publication date
WO 2004077753	A	10-09-2004	BR PI0407770 A	01-03-2006
			CA 2516923 A1	10-09-2004
			CN 1754345 A	29-03-2006
			EP 1597869 A2	23-11-2005
			JP 2006518975 T	17-08-2006
			KR 20050104388 A	02-11-2005
			MX PA05009042 A	23-11-2005
			US 2004176024 A1	09-09-2004
			US 2007093201 A1	26-04-2007
US 2003118015	A1	26-06-2003	NONE	
US 2004063426	A1	01-04-2004	AU 2003278997 A1	23-04-2004
			CA 2500658 A1	15-04-2004
			EP 1550325 A1	06-07-2005
			JP 2006501785 T	12-01-2006
			KR 20050044936 A	13-05-2005
			KR 20050096985 A	06-10-2005
			MX PA05003542 A	17-06-2005
			TW 260178 B	11-08-2006
			WO 2004032539 A1	15-04-2004
			US 2005288021 A1	29-12-2005
US 2004136318	A1	15-07-2004	AU 2004204953 A1	29-07-2004
			CA 2509877 A1	29-07-2004
			WO 2004064302 A2	29-07-2004
			ZA 200505667 A	29-03-2006