



US00D378087S

# United States Patent [19]

[11] **Patent Number:** **Des. 378,087**

**Mieki et al.**

[45] **Date of Patent:** **\*\*Feb. 18, 1997**

[54] **KEYBOARD**

D. 363,471 10/1995 Shima et al. .... D14/106  
D. 363,472 10/1995 Krakower et al. .... D14/106

[75] Inventors: **Nariaki Mieki**, Yokohama; **Kazuhiko Yamazaki**, Hiratuka, both of Japan

*Primary Examiner*—Freda Nunn  
*Attorney, Agent, or Firm*—Martin J. McKinley

[73] Assignee: **International Business Machines Corporation**, Armonk, N.Y.

[57] **CLAIM**

[\*\*] Term: **14 Years**

The ornamental design for a keyboard, as shown and described.

[21] Appl. No.: **44,760**

[22] Filed: **Sep. 29, 1995**

[30] **Foreign Application Priority Data**

**DESCRIPTION**

Mar. 31, 1995 [JP] Japan ..... 7-9140

[52] **U.S. Cl.** ..... **D14/115**

[58] **Field of Search** ..... D14/100, 101,  
D14/106, 115; D18/1, 7; 235/145 A, 145 R;  
200/5 A, 5 R, 6 A, 6 R; 345/168, 160;  
341/22, 23; 364/708.1; 400/472, 479, 484-486,  
489, 682

FIG. 1 is a perspective view of the keyboard unit in the manner that it is assembled into the body of a personal computer, showing our new design;

FIG. 2 is a front elevational view thereof;

FIG. 3 is a rear elevational view thereof;

FIG. 4 is a top plan view thereof;

FIG. 5 is a bottom plan view thereof;

FIG. 6 is a right side elevational view thereof; and,

FIG. 7 is a left side elevational view thereof.

The broken lines shown in FIG. 1 are for illustrative purposes only and form no part of the claimed design.

[56] **References Cited**

**U.S. PATENT DOCUMENTS**

D. 354,049 1/1995 Baitinger et al. .... D14/115

**1 Claim, 5 Drawing Sheets**

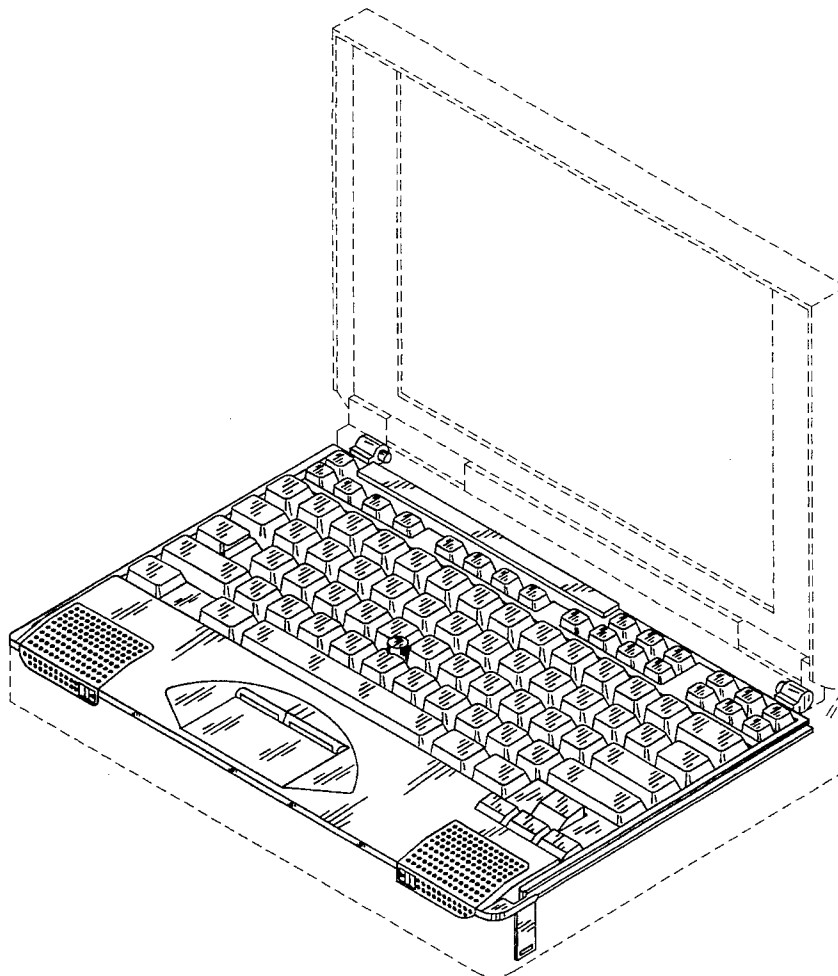


FIG. 1

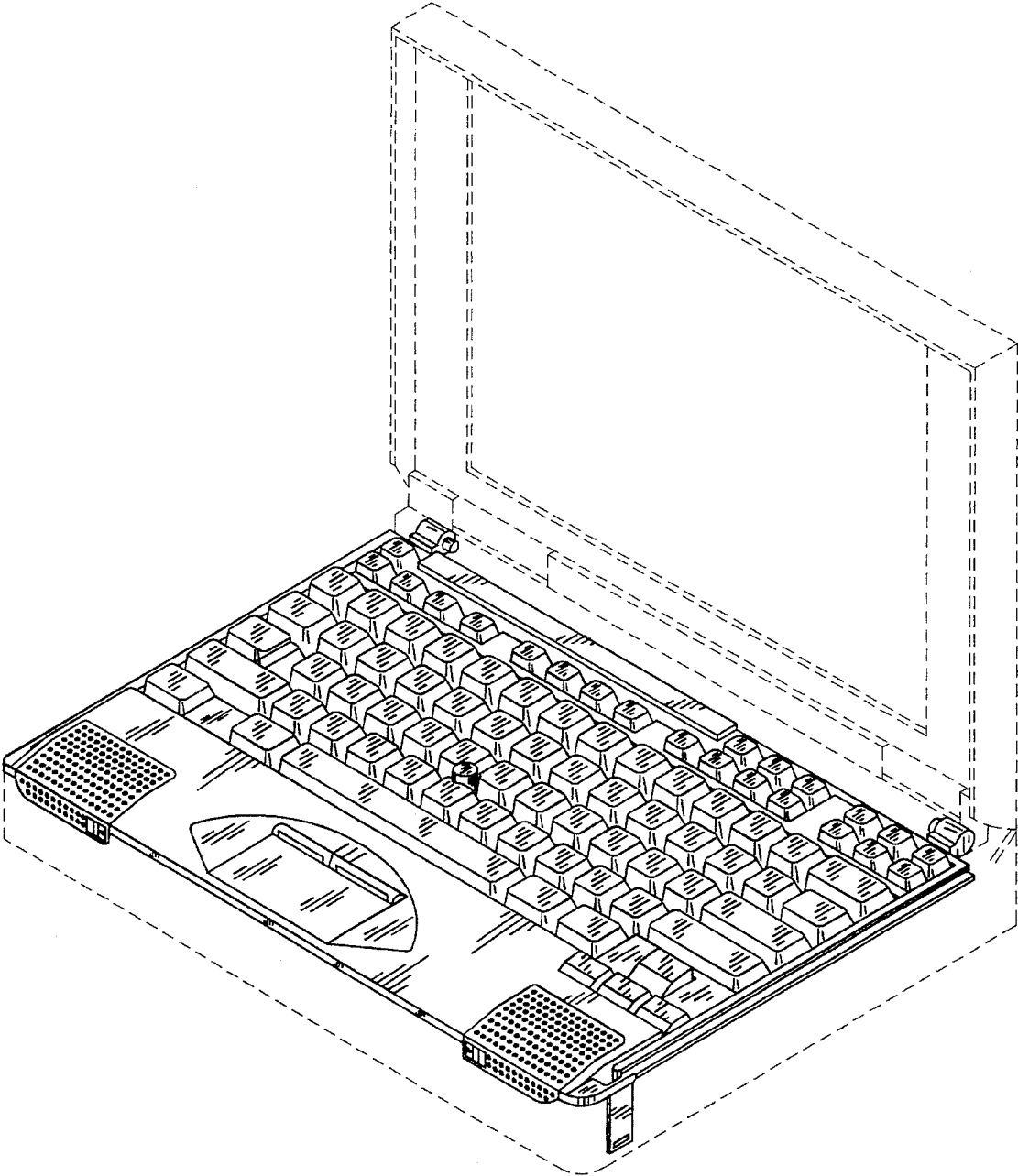


FIG. 2

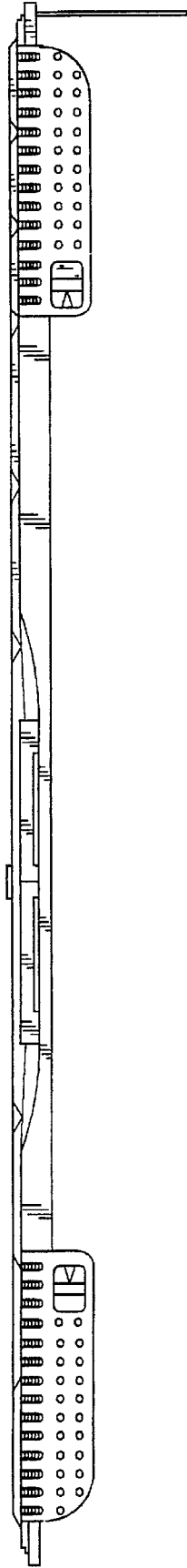


FIG. 3

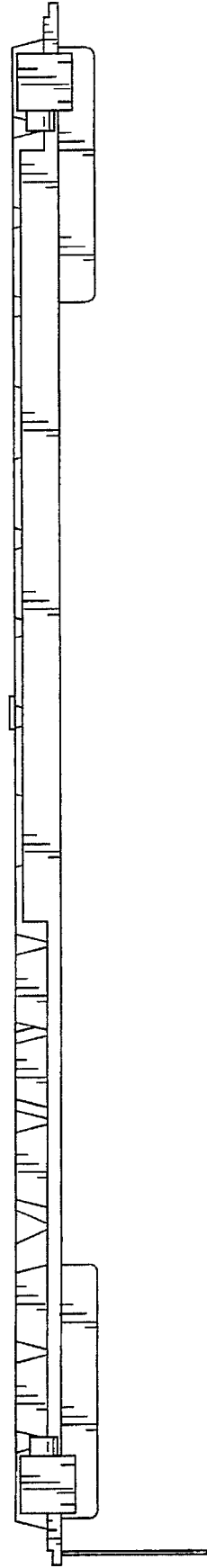


FIG. 4

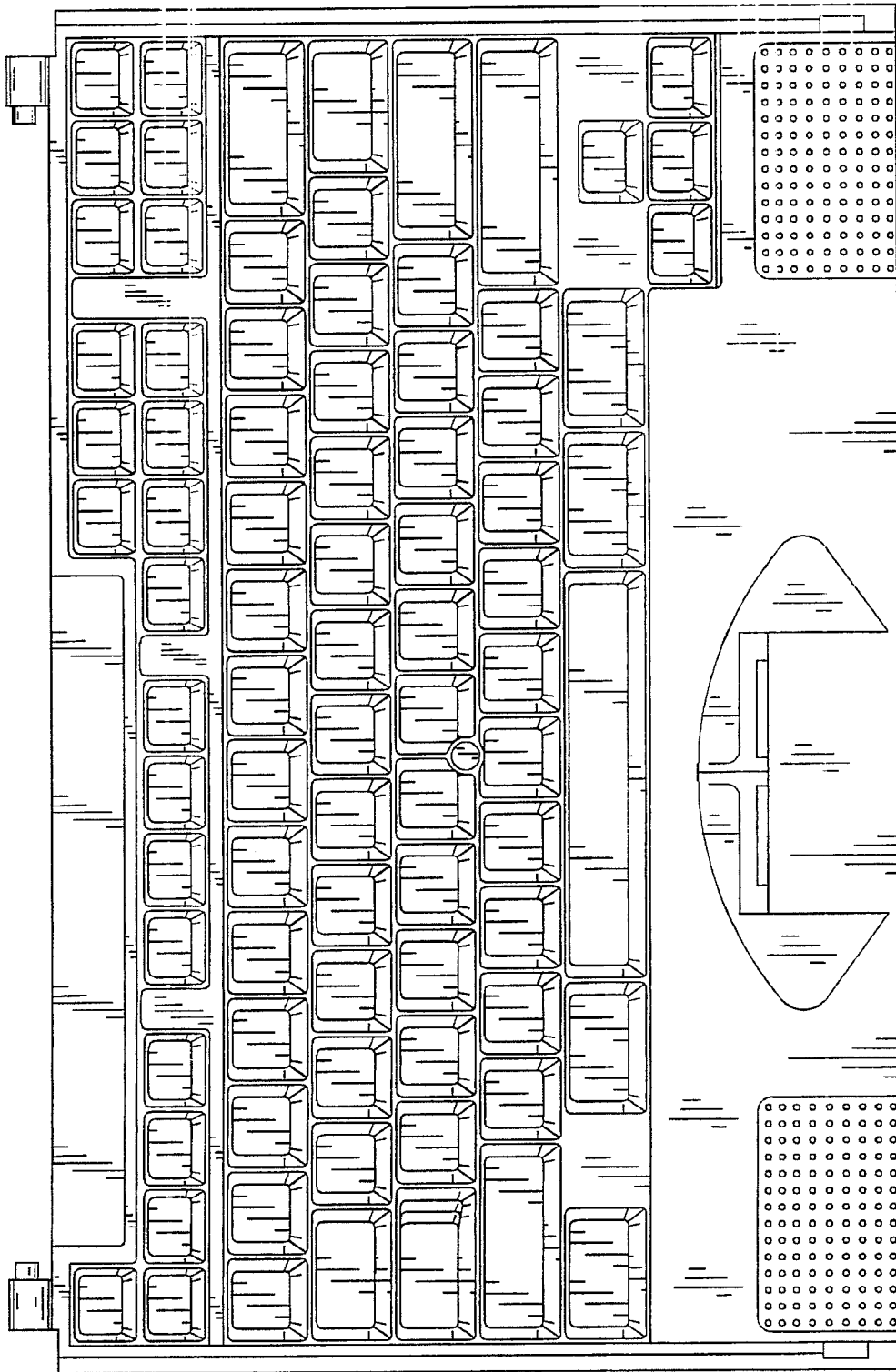


FIG. 5

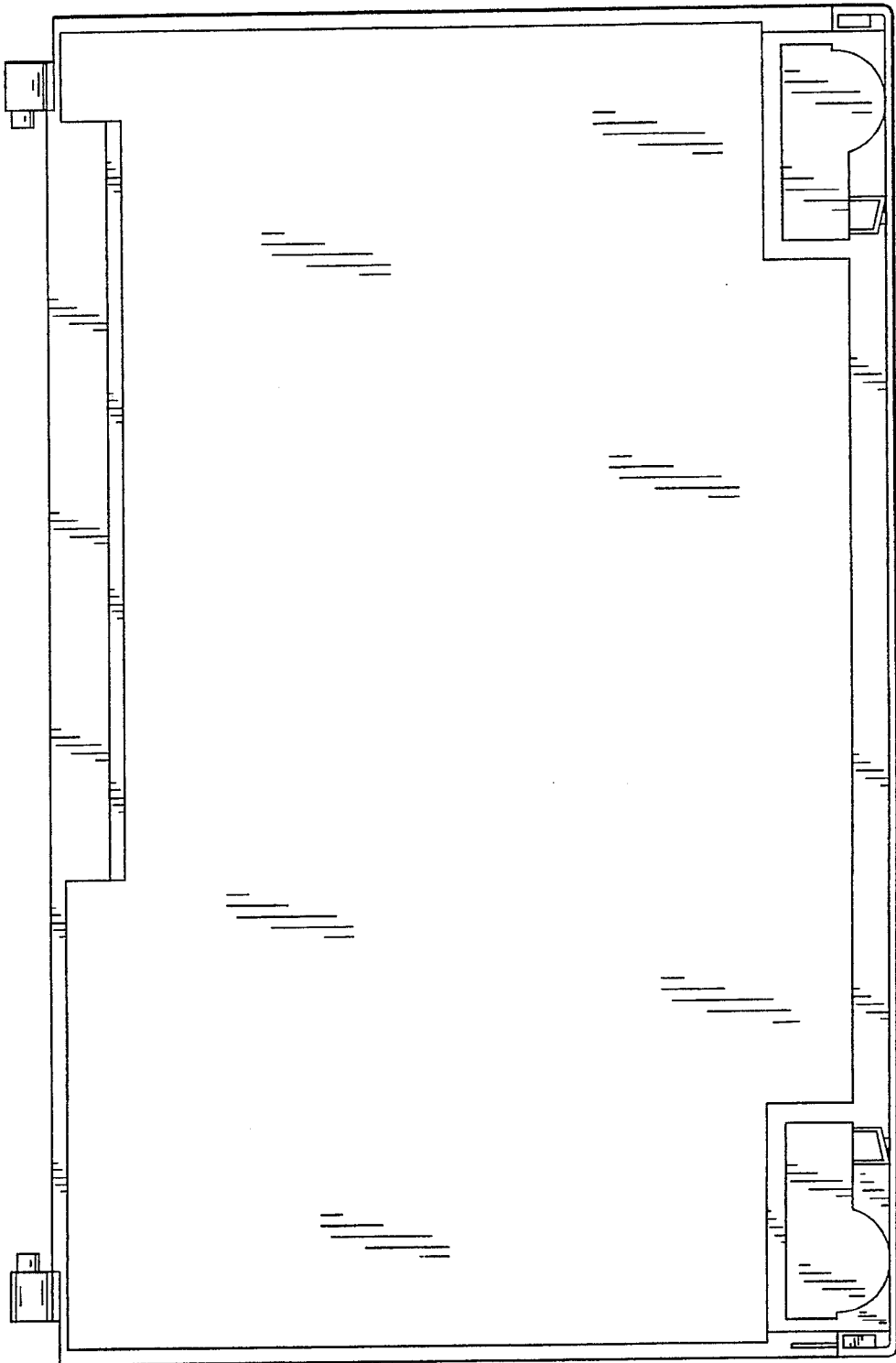


FIG. 6

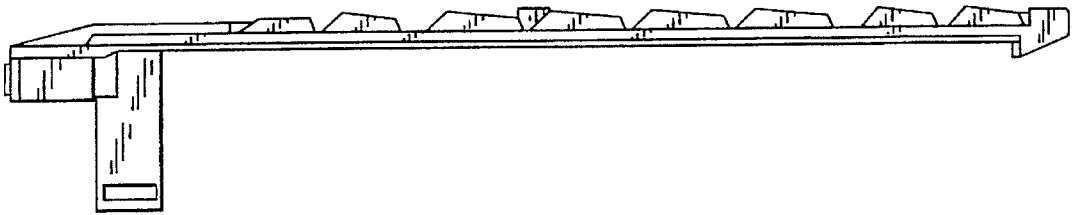


FIG. 7

