



- (51) International Patent Classification:
A61F 13/20 (2006.01)
- (21) International Application Number:
PCT/US2012/043329
- (22) International Filing Date:
20 June 2012 (20.06.2012)
- (25) Filing Language: English
- (26) Publication Language: English
- (30) Priority Data:
61/500,781 24 June 2011 (24.06.2011) US
- (71) Applicant (for all designated States except US): **THE PROCTER & GAMBLE COMPANY** [US/US]; One Procter & Gamble Plaza, Cincinnati, OH 45202 (US).
- (72) Inventors; and
- (75) Inventors/Applicants (for US only): **NELLENBACH, Eva, Grace** [US/US]; 325 Jefferson Avenue, Reading, OH 45215 (US). **KNUTH, Hinrich** [DE/US]; 4194 Hickory Woods Drive, Mason, OH 45040 (US). **WASSON, Matthew, Howard** [US/US]; 1306 Cryer Avenue, Cincinnati, OH 45208 (US).
- (74) Common Representative: **THE PROCTER & GAMBLE COMPANY**; c/o Timothy B. Guffey, Global Patent Services, 299 East Sixth Street, Sycamore Building, 4th Floor, Cincinnati, OH 45202 (US).

(81) Designated States (unless otherwise indicated, for every kind of national protection available): AE, AG, AL, AM, AO, AT, AU, AZ, BA, BB, BG, BH, BR, BW, BY, BZ, CA, CH, CL, CN, CO, CR, CU, CZ, DE, DK, DM, DO, DZ, EC, EE, EG, ES, FI, GB, GD, GE, GH, GM, GT, HN, HR, HU, ID, IL, IN, IS, JP, KE, KG, KM, KN, KP, KR, KZ, LA, LC, LK, LR, LS, LT, LU, LY, MA, MD, ME, MG, MK, MN, MW, MX, MY, MZ, NA, NG, NI, NO, NZ, OM, PE, PG, PH, PL, PT, QA, RO, RS, RU, RW, SC, SD, SE, SG, SK, SL, SM, ST, SV, SY, TH, TJ, TM, TN, TR, TT, TZ, UA, UG, US, UZ, VC, VN, ZA, ZM, ZW.

(84) Designated States (unless otherwise indicated, for every kind of regional protection available): ARIPO (BW, GH, GM, KE, LR, LS, MW, MZ, NA, RW, SD, SL, SZ, TZ, UG, ZM, ZW), Eurasian (AM, AZ, BY, KG, KZ, RU, TJ, TM), European (AL, AT, BE, BG, CH, CY, CZ, DE, DK, EE, ES, FI, FR, GB, GR, HR, HU, IE, IS, IT, LT, LU, LV, MC, MK, MT, NL, NO, PL, PT, RO, RS, SE, SI, SK, SM, TR), OAPI (BF, BJ, CF, CG, CI, CM, GA, GN, GQ, GW, ML, MR, NE, SN, TD, TG).

Published:

- with international search report (Art. 21(3))
- before the expiration of the time limit for amending the claims and to be republished in the event of receipt of amendments (Rule 48.2(h))

(88) Date of publication of the international search report:
20 February 2014

(54) Title: METHOD FOR MOVING ARTICLES AND CONTROLLING THE POSITION OF SAME

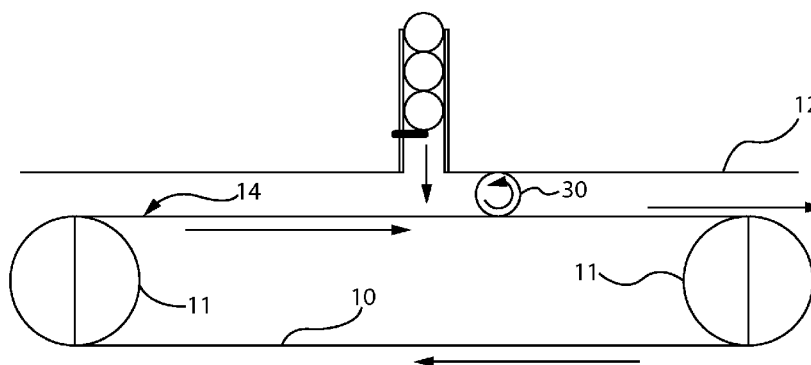


Fig. 1

(57) Abstract: Methods for moving and controlling the position of an article are described. In one embodiment, the method employs a conveyor including a substantially planar surface and a support member situated opposite the substantially planar surface. An article is placed between and in contact with both the substantially planar surface and the support member. And at least one of the conveyor and the support member are moved wherein the article is both rotated and translated so that the rotation amount substantially matches the translation amount.

WO 2012/177747 A3

INTERNATIONAL SEARCH REPORT

International application No
PCT/US2012/043329

A. CLASSIFICATION OF SUBJECT MATTER
INV. A61F13/2097
ADD.
According to International Patent Classification (IPC) or to both national classification and IPC

B. FIELDS SEARCHED
Minimum documentation searched (classification system followed by classification symbols)
A61F B65G B29C

Documentation searched other than minimum documentation to the extent that such documents are included in the fields searched

Electronic data base consulted during the international search (name of data base and, where practicable, search terms used)
EPO-Internal, WPI Data

C. DOCUMENTS CONSIDERED TO BE RELEVANT

Category*	Citation of document, with indication, where appropriate, of the relevant passages	Relevant to claim No.
X	DE 14 31 650 A1 (EMHART ZUERICH SA) 30 January 1969 (1969-01-30)	1,3,4
Y	pages 1-16; figures 1-3	5-8
X	US 2 935 175 A (WURGAFT ROBERT L) 3 May 1960 (1960-05-03)	1
X	US 3 460 668 A (GERRANS ALFRED W) 12 August 1969 (1969-08-12)	1,2
X	EP 0 332 477 A1 (MONTALBANAISE DE CONSTRUCTION [FR]) 13 September 1989 (1989-09-13)	1
	----- -/--	

Further documents are listed in the continuation of Box C.

See patent family annex.

* Special categories of cited documents :

"A" document defining the general state of the art which is not considered to be of particular relevance

"E" earlier application or patent but published on or after the international filing date

"L" document which may throw doubts on priority claim(s) or which is cited to establish the publication date of another citation or other special reason (as specified)

"O" document referring to an oral disclosure, use, exhibition or other means

"P" document published prior to the international filing date but later than the priority date claimed

"T" later document published after the international filing date or priority date and not in conflict with the application but cited to understand the principle or theory underlying the invention

"X" document of particular relevance; the claimed invention cannot be considered novel or cannot be considered to involve an inventive step when the document is taken alone

"Y" document of particular relevance; the claimed invention cannot be considered to involve an inventive step when the document is combined with one or more other such documents, such combination being obvious to a person skilled in the art

"&" document member of the same patent family

Date of the actual completion of the international search 17 December 2013	Date of mailing of the international search report 02/01/2014
--------------------------------------------------------------------------------------	-------------------------------------------------------------------------

Name and mailing address of the ISA/ European Patent Office, P.B. 5818 Patentlaan 2 NL - 2280 HV Rijswijk Tel. (+31-70) 340-2040, Fax: (+31-70) 340-3016	Authorized officer Douskas, K
----------------------------------------------------------------------------------------------------------------------------------------------------------------------	-----------------------------------------

INTERNATIONAL SEARCH REPORT

International application No
PCT/US2012/043329

C(Continuation). DOCUMENTS CONSIDERED TO BE RELEVANT		
Category*	Citation of document, with indication, where appropriate, of the relevant passages	Relevant to claim No.
X	EP 0 436 244 A1 (AWETA BV [NL]) 10 July 1991 (1991-07-10) columns 1-4; figures 1-4 -----	1
X	FR 2 696 660 A1 (XEDA INTERNATIONAL [FR]) 15 April 1994 (1994-04-15) pages 1-8; figures 1-3 -----	1
X	EP 0 230 583 A2 (PENNWALT CORP [US]) 5 August 1987 (1987-08-05) columns 1-7 -----	1
Y	US 3 428 044 A (WHITEHEAD HOWARD A ET AL) 18 February 1969 (1969-02-18) columns 1-6; figures 1-3 -----	5-8
A	JP H04 65217 A (DAINIPPON PRINTING CO LTD) 2 March 1992 (1992-03-02) abstract; figures 1-12 -----	8
A	WO 01/87217 A2 (KIMBERLY CLARK CO [US]) 22 November 2001 (2001-11-22) page 3 -----	7
X	US 5 788 910 A (MCNELIS THOMAS C [US] ET AL) 4 August 1998 (1998-08-04) claims; figures -----	9-15
X	US 2004/199101 A1 (LEMAY JESSICA ELIZABETH [US] ET AL) 7 October 2004 (2004-10-07) paragraphs [0060] - [0061]; claims; figures -----	9-15
X	US 2008/255496 A1 (SARGENT RAYMOND ALBERT [US] ET AL SARGENT JR RAYMOND ALBERT [US] ET AL) 16 October 2008 (2008-10-16) paragraph [0036]; claims; figures -----	9-15

INTERNATIONAL SEARCH REPORT

International application No.
PCT/US2012/043329

Box No. II Observations where certain claims were found unsearchable (Continuation of item 2 of first sheet)

This international search report has not been established in respect of certain claims under Article 17(2)(a) for the following reasons:

1. Claims Nos.:
because they relate to subject matter not required to be searched by this Authority, namely:

2. Claims Nos.:
because they relate to parts of the international application that do not comply with the prescribed requirements to such an extent that no meaningful international search can be carried out, specifically:

3. Claims Nos.:
because they are dependent claims and are not drafted in accordance with the second and third sentences of Rule 6.4(a).

Box No. III Observations where unity of invention is lacking (Continuation of item 3 of first sheet)

This International Searching Authority found multiple inventions in this international application, as follows:

see additional sheet

1. As all required additional search fees were timely paid by the applicant, this international search report covers all searchable claims.

2. As all searchable claims could be searched without effort justifying an additional fees, this Authority did not invite payment of additional fees.

3. As only some of the required additional search fees were timely paid by the applicant, this international search report covers only those claims for which fees were paid, specifically claims Nos.:

4. No required additional search fees were timely paid by the applicant. Consequently, this international search report is restricted to the invention first mentioned in the claims; it is covered by claims Nos.:

Remark on Protest

- The additional search fees were accompanied by the applicant's protest and, where applicable, the payment of a protest fee.
- The additional search fees were accompanied by the applicant's protest but the applicable protest fee was not paid within the time limit specified in the invitation.
- No protest accompanied the payment of additional search fees.

FURTHER INFORMATION CONTINUED FROM PCT/ISA/ 210

This International Searching Authority found multiple (groups of) inventions in this international application, as follows:

1. claims: 1-8

rotate and translate an article

2. claims: 9-15

heating a surface of a molded article

INTERNATIONAL SEARCH REPORT

Information on patent family members

International application No

PCT/US2012/043329

Patent document cited in search report	Publication date	Patent family member(s)	Publication date
DE 1431650	A1	30-01-1969	AT 247797 B 27-06-1966
			CH 421818 A 30-09-1966
			DE 1431650 A1 30-01-1969
			GB 1112915 A 08-05-1968
US 2935175	A	03-05-1960	NONE
US 3460668	A	12-08-1969	NONE
EP 0332477	A1	13-09-1989	DE 68908441 D1 23-09-1993
			DE 68908441 T2 16-12-1993
			EP 0332477 A1 13-09-1989
			ES 2043047 T3 16-12-1993
			FR 2628402 A1 15-09-1989
EP 0436244	A1	10-07-1991	DE 69009722 D1 14-07-1994
			EP 0436244 A1 10-07-1991
			NL 8903017 A 01-07-1991
			NZ 236388 A 27-01-1993
			US 5078258 A 07-01-1992
			ZA 9009760 A 30-10-1991
FR 2696660	A1	15-04-1994	NONE
EP 0230583	A2	05-08-1987	AU 587093 B2 03-08-1989
			AU 6633686 A 30-07-1987
			BR 8700311 A 08-12-1987
			EP 0230583 A2 05-08-1987
			IL 80869 A 26-07-1990
			JP S62186977 A 15-08-1987
			MX 165749 B 03-12-1992
			US 4726898 A 23-02-1988
US 3428044	A	18-02-1969	GB 1167034 A 15-10-1969
			US 3428044 A 18-02-1969
JP H0465217	A	02-03-1992	NONE
WO 0187217	A2	22-11-2001	AU 6165601 A 26-11-2001
			AU 2001261656 B2 07-04-2005
			BR 0110922 A 20-04-2004
			EP 1289460 A2 12-03-2003
			JP 4719400 B2 06-07-2011
			JP 2003533282 A 11-11-2003
			MX PA02011251 A 10-03-2003
			US 2002002358 A1 03-01-2002
			WO 0187217 A2 22-11-2001
US 5788910	A	04-08-1998	CA 2180789 A1 12-01-1997
			US 5788910 A 04-08-1998
US 2004199101	A1	07-10-2004	JP 2011056266 A 24-03-2011
			US 2004199101 A1 07-10-2004
			US 2010164139 A1 01-07-2010
US 2008255496	A1	16-10-2008	CA 2683055 A1 23-10-2008
			CA 2781174 A1 23-10-2008
			EP 2136756 A2 30-12-2009

INTERNATIONAL SEARCH REPORT

Information on patent family members

International application No

PCT/US2012/043329

Patent document cited in search report	Publication date	Patent family member(s)	Publication date
		JP 2010523192 A	15-07-2010
		US 2008255496 A1	16-10-2008
		US 2012016288 A1	19-01-2012
		WO 2008126016 A2	23-10-2008
