



US0D1040802S

(12) **United States Design Patent**
Lee et al.

(10) **Patent No.:** **US D1,040,802 S**
(45) **Date of Patent:** **** Sep. 3, 2024**

(54) **INFORMATION SYSTEM HOUSING**

10,238,004 B2 * 3/2019 Baran H05K 7/20409
10,250,954 B2 * 4/2019 Christie H05K 5/0065
10,306,793 B2 * 5/2019 Coenegracht H05K 5/061

(71) Applicant: **MERCURY MISSION SYSTEMS, LLC**, Andover, MA (US)

(Continued)

(72) Inventors: **Kang S. Lee**, Tustin, CA (US); **Omar Factory**, Torrance, CA (US); **Robert Waldo**, Torrance, CA (US); **Andrew Kostrzewski**, Garden Grove, CA (US)

OTHER PUBLICATIONS

Jarvis, 2022, Mercury, site visited Feb. 28, 2023: <https://www.mrcy.com/products/rugged-servers-and-subsystems/airborne-mission-computing/jarvis-mission-computer/jarvis-mission-computer> (Year: 2022).*

(Continued)

(73) Assignee: **MERCURY MISSION SYSTEMS, LLC**, Andover, MA (US)

(**) Term: **15 Years**

Primary Examiner — Andrew T Nemeth

Assistant Examiner — Alison Davis

(21) Appl. No.: **29/728,811**

(74) *Attorney, Agent, or Firm* — Sheppard, Mullin, Richter & Hampton LLP

(22) Filed: **Mar. 20, 2020**

(51) **LOC (14) Cl.** **14-02**

(52) **U.S. Cl.**

USPC **D14/313**

(58) **Field of Classification Search**

USPC D14/300, 301, 313, 314, 315, 317, 318, D14/327, 348, 349, 351, 353, 354, 355, D14/432, 439, 440, 441, 444, 445, 446
CPC .. H01R 13/512; H01R 13/518; H01R 12/727; H05K 5/00; H05K 5/0004; H05K 5/0008; H05K 5/0017; H05K 5/0018; H05K 5/02; H05K 5/0204; H05K 5/021; H05K 5/0213; H05K 5/0214; H05K 5/04; H05K 7/1434; H05K 7/1438; H05K 7/1485; H05K 7/20; H05K 7/20136; H05K 7/20172; H05K 7/202

See application file for complete search history.

(57) **CLAIM**

We claim the ornamental design for an information system housing, as shown and described.

DESCRIPTION

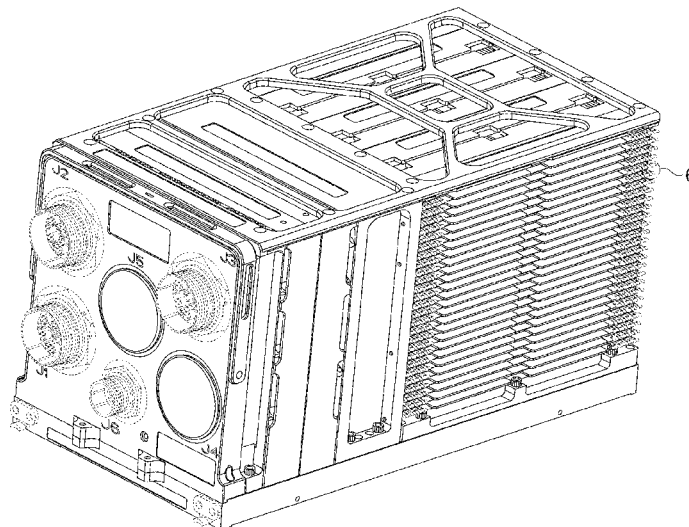
FIG. 1 is a front top perspective view of an information system housing showing a front, top and right side of the information system housing;
FIG. 2 is a back-top perspective view showing a rear, top and right side of the information system housing;
FIG. 3 is a bottom front perspective view showing a front, bottom and right side of the information system housing;
FIG. 4 is a bottom back perspective view showing a rear, bottom and right side of the information system housing;
FIG. 5 is a front view of the information system housing; and
FIG. 6 is a view of the enlarged portion of the information system housing as called out in FIG. 1; and
FIG. 7 is a top view of the information system housing.
The evenly spaced dashed broken lines depict portions of the article that form no part of the claimed design. The dot-dash line circles depict the limits of the enlarged views and form no part of the claimed design.

(56) **References Cited**

U.S. PATENT DOCUMENTS

7,352,573 B2 * 4/2008 Wong H05K 7/20172
361/818
9,326,401 B2 * 4/2016 Duran H05K 5/0086
10,143,093 B2 * 11/2018 Kim H05K 7/1427

1 Claim, 7 Drawing Sheets



(56)

References Cited

U.S. PATENT DOCUMENTS

10,361,546 B2 * 7/2019 Madathil Sankarankutty Nair
H02G 3/083
10,953,825 B2 * 3/2021 Sanvito B60R 16/03
10,992,115 B2 * 4/2021 Yin H02B 1/306
11,503,741 B2 * 11/2022 Kandori H05K 7/20445
11,515,088 B2 * 11/2022 Kanayama H01G 9/28
2017/0250493 A1 * 8/2017 Iijima H05K 7/1471

OTHER PUBLICATIONS

F40, Apr. 25, 2022, 7 Star Lake, site visited Feb. 28, 2023:
https://7starlake.com/sites/default/files/2022-08/Data%20sheet_F40_220425_22020816.pdf (Year: 2022).*

* cited by examiner

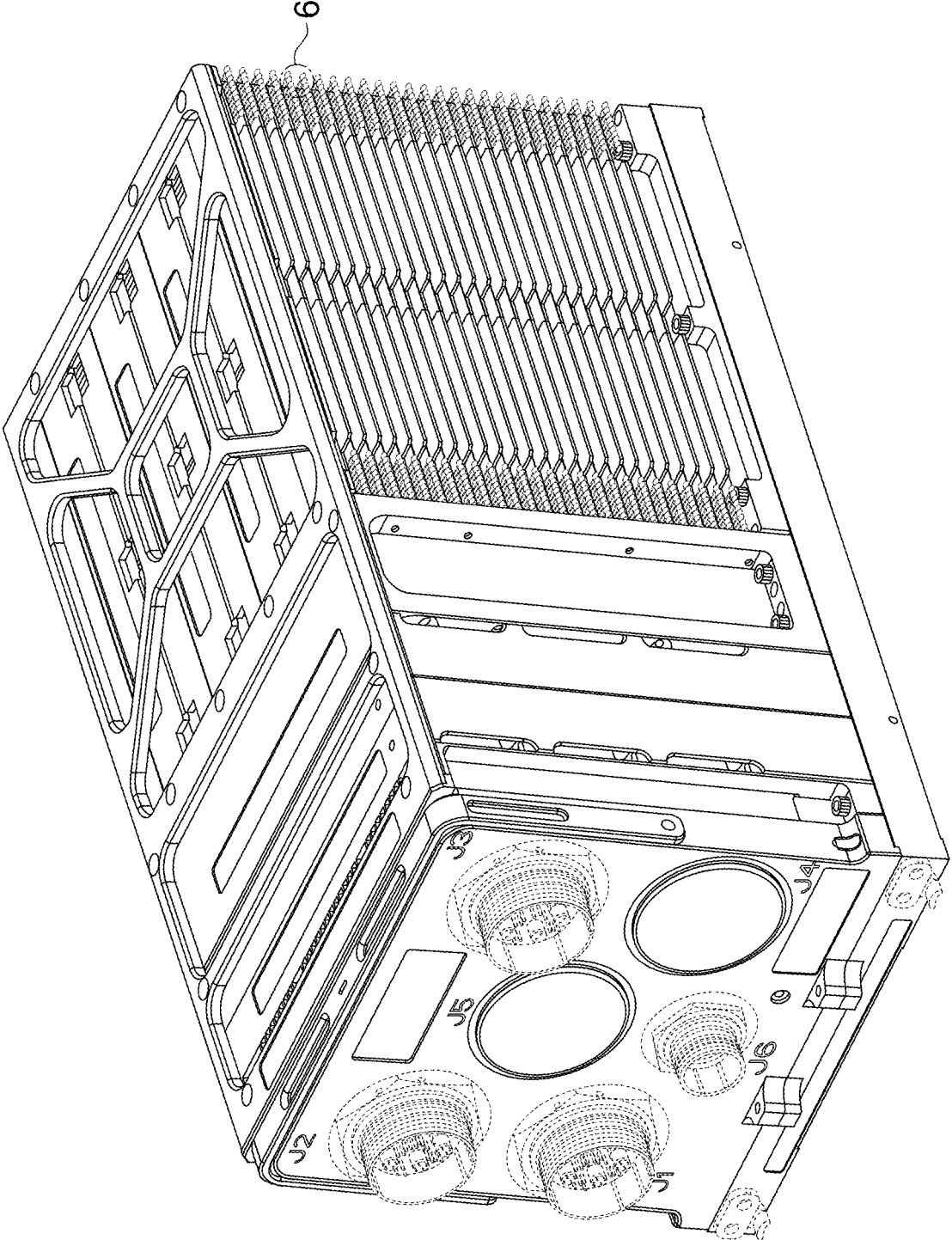


FIG. 1

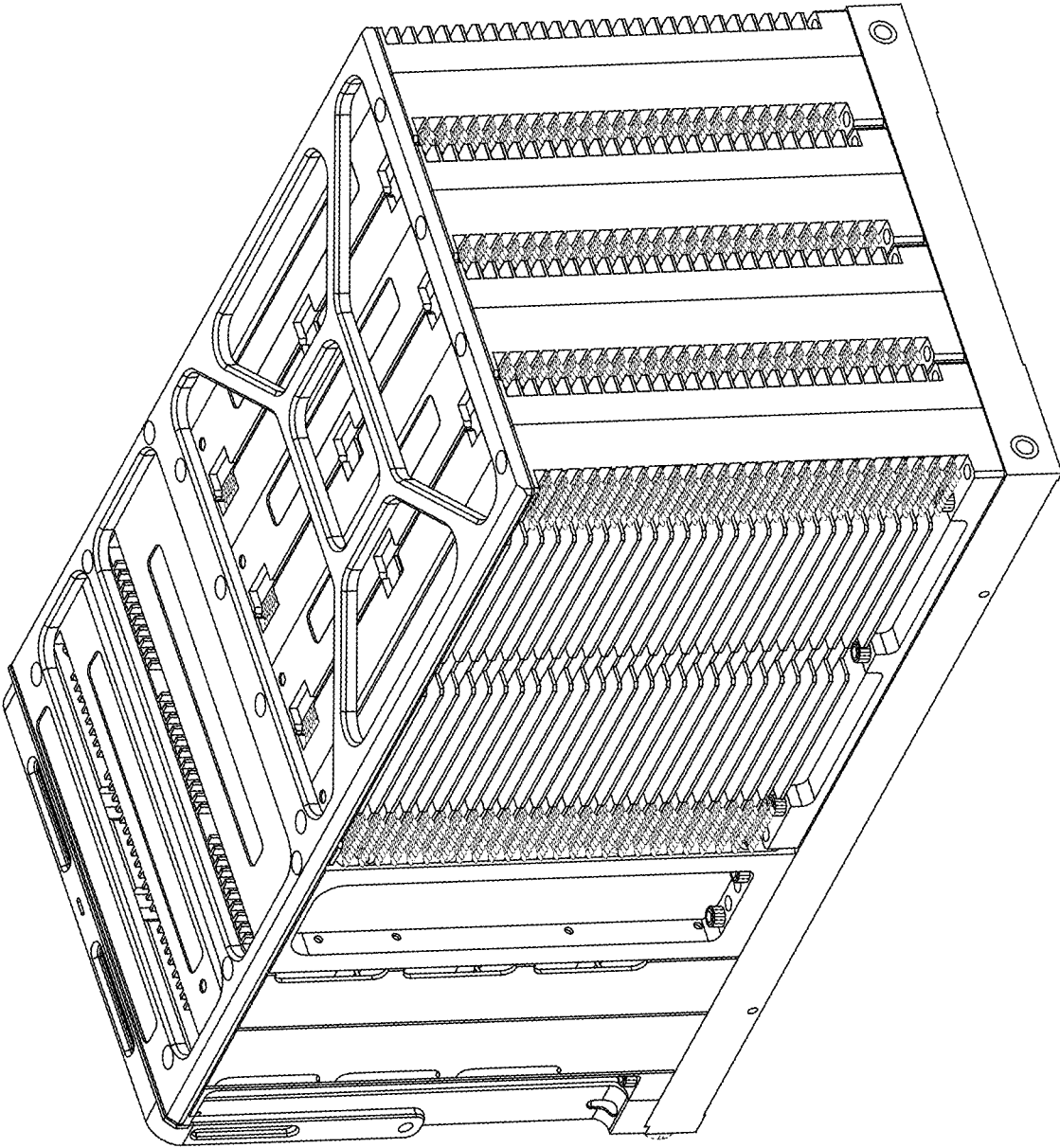


FIG. 2

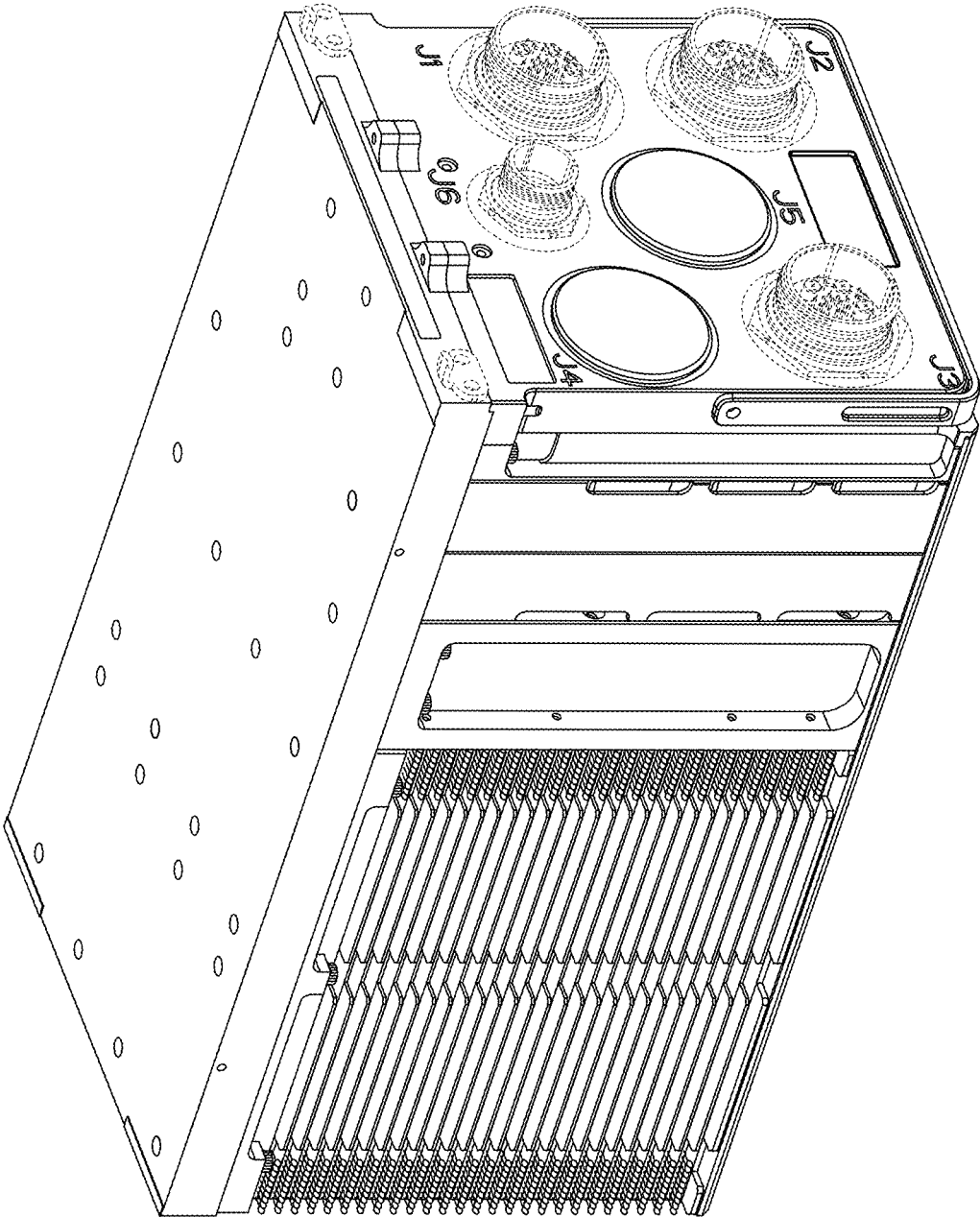


FIG. 3

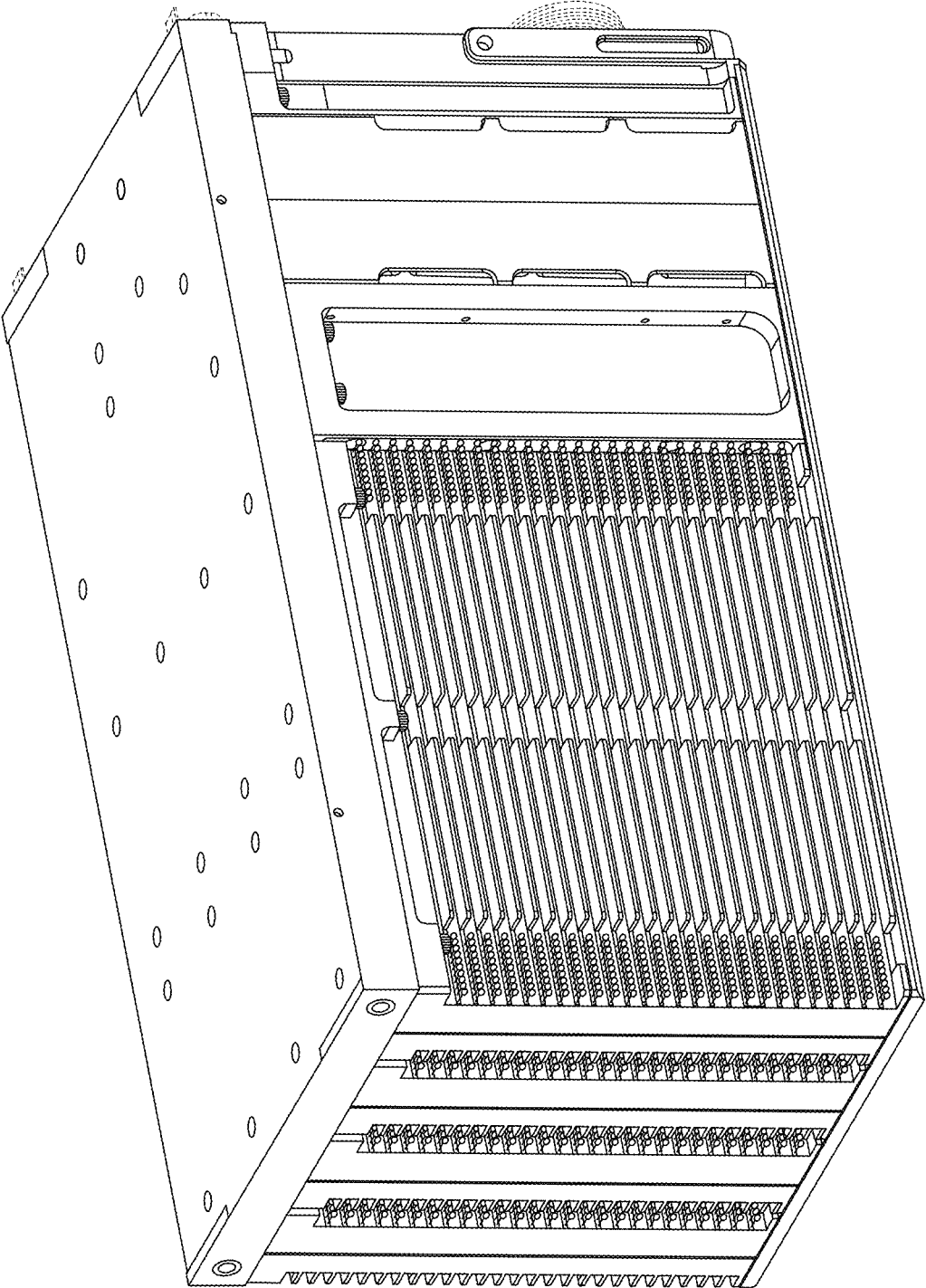


FIG. 4

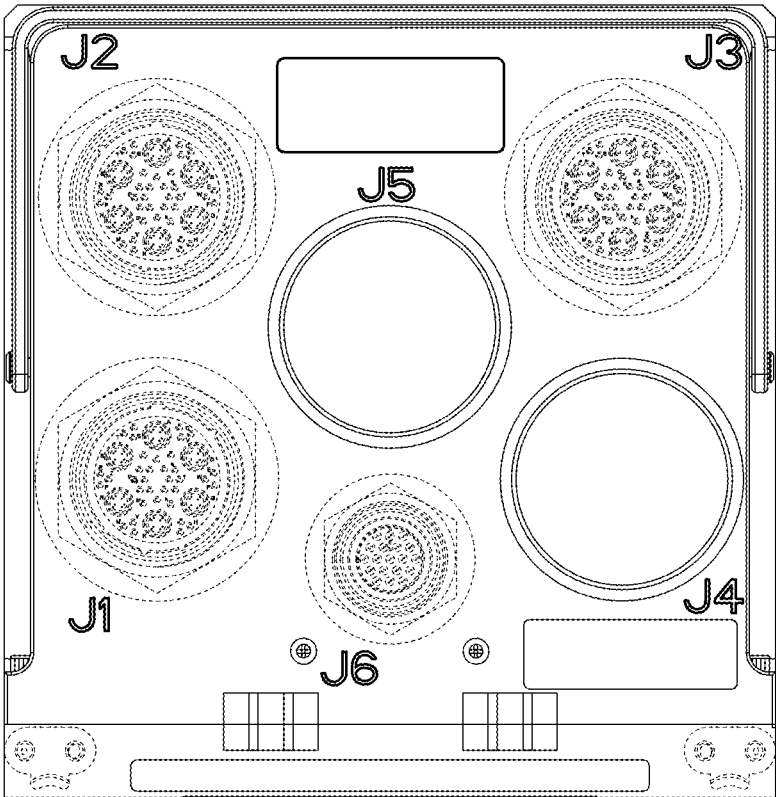


FIG. 5

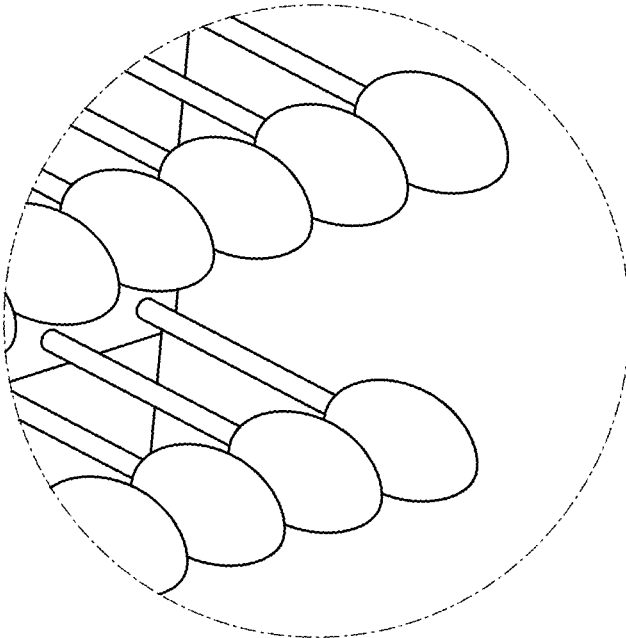


FIG. 6

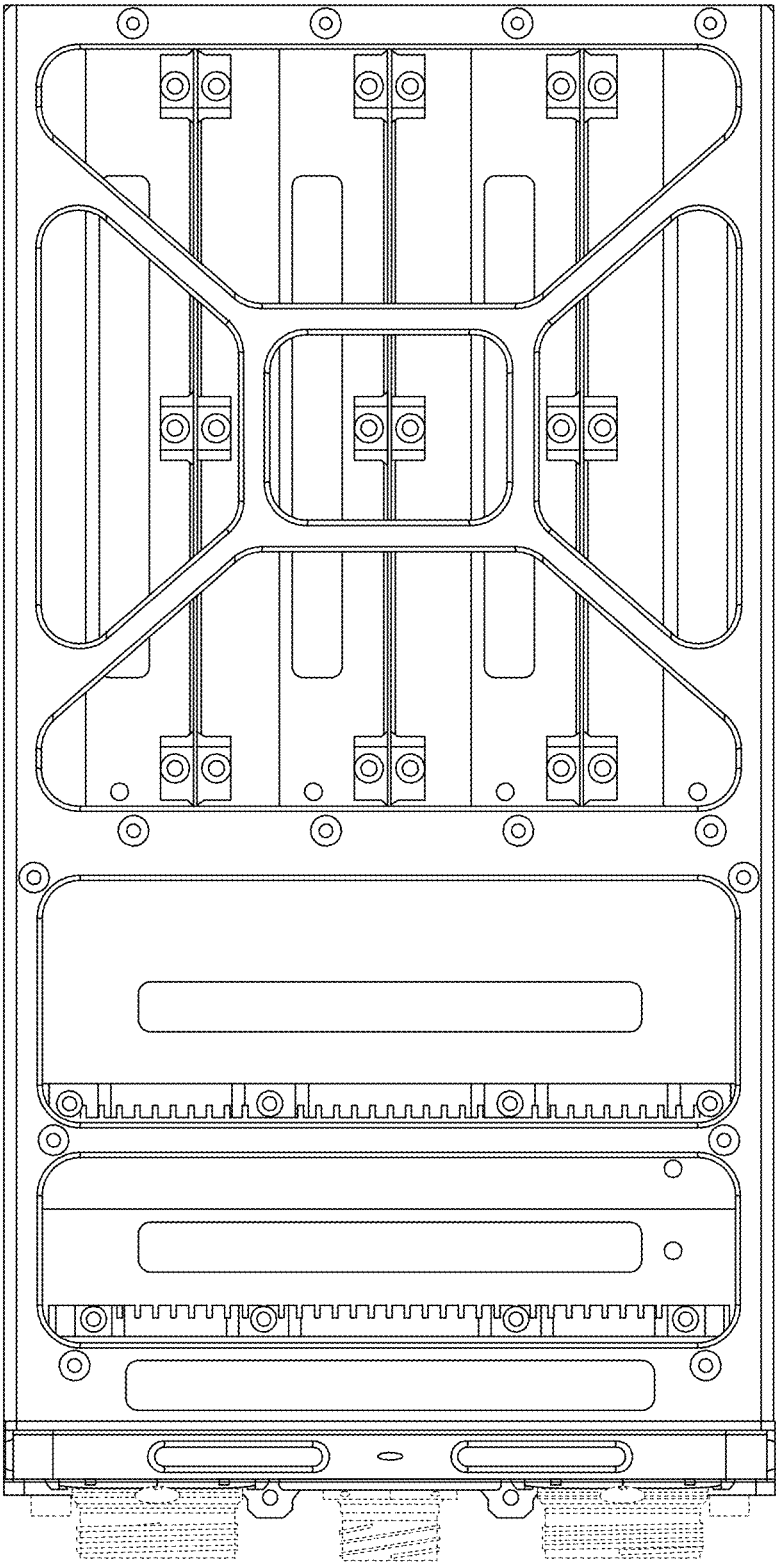


FIG. 7