

(19) World Intellectual Property Organization
International Bureau



(43) International Publication Date
24 July 2008 (24.07.2008)

PCT

(10) International Publication Number
WO 2008/088971 A3

- (51) International Patent Classification:

H01J 27/02 (2006.01)	H01J 37/317 (2006.01)
H01J 37/08 (2006.01)	F17C 9/02 (2006.01)
- (21) International Application Number:
PCT/US2008/050478
- (22) International Filing Date: 8 January 2008 (08.01.2008)
- (25) Filing Language: English
- (26) Publication Language: English
- (30) Priority Data:

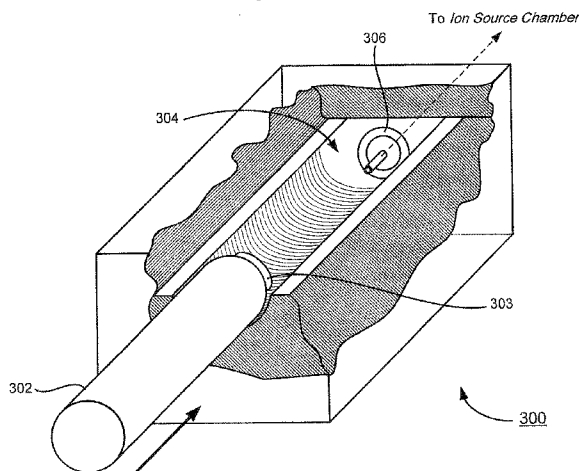
60/872,447	11 January 2007 (11.01.2007)	US
11/776,217	11 July 2007 (11.07.2007)	US
- (71) Applicant (for all designated States except US): **VARIAN SEMICONDUCTOR EQUIPMENT ASSOCIATES, INC.** [US/US]; 35 Dory Road, Gloucester, MA 01930 (US).
- (72) Inventors; and
- (75) Inventors/Applicants (for US only): **HATEM, Christopher, R.** [US/US]; 169 Monsignor O'Brien Highway, Unit 515, Cambridge, MA 02141 (US). **CHANEY, Craig, R.** [US/US]; 170 Thatcher Road, Rockport, MA 01966 (US). **COBB, Eric, R.** [US/US]; 3 Clark Street, Danvers, MA 01923 (US). **OLSON, Joseph, C.** [US/US]; 5 Meeting Place Circle, Beverly, MA 01915 (US). **CAMPBELL,**

- Chris [US/US]; 15 Hallisey Drive, Newburyport, MA 01950 (US).
- (74) Agent: **CHOI, Changhoon;** Varian Semiconductor Equipment Associates, Inc., 35 Dory Road, Gloucester, MA 01930 (US).
- (81) Designated States (unless otherwise indicated, for every kind of national protection available): AE, AG, AL, AM, AO, AT, AU, AZ, BA, BB, BG, BH, BR, BW, BY, BZ, CA, CH, CN, CO, CR, CU, CZ, DE, DK, DM, DO, DZ, EC, EE, EG, ES, FI, GB, GD, GE, GH, GM, GT, HN, HR, HU, ID, IL, IN, IS, JP, KE, KG, KM, KN, KP, KR, KZ, LA, LC, LK, LR, LS, LT, LU, LY, MA, MD, ME, MG, MK, MN, MW, MX, MY, MZ, NA, NG, NI, NO, NZ, OM, PG, PH, PL, PT, RO, RS, RU, SC, SD, SE, SG, SK, SL, SM, SV, SY, TJ, TM, TN, TR, TT, TZ, UA, UG, US, UZ, VC, VN, ZA, ZM, ZW.
- (84) Designated States (unless otherwise indicated, for every kind of regional protection available): ARIPO (BW, GH, GM, KE, LS, MW, MZ, NA, SD, SL, SZ, TZ, UG, ZM, ZW), Eurasian (AM, AZ, BY, KG, KZ, MD, RU, TJ, TM), European (AT, BE, BG, CH, CY, CZ, DE, DK, EE, ES, FI, FR, GB, GR, HR, HU, IE, IS, IT, LT, LU, LV, MC, MT, NL, NO, PL, PT, RO, SE, SI, SK, TR), OAPI (BF, BJ, CF, CG, CI, CM, GA, GN, GQ, GW, ML, MR, NE, SN, TD, TG).

[Continued on next page]

(54) Title: TECHNIQUES FOR PROVIDING ION SOURCE FEED MATERIALS

Figure 3



(57) Abstract: Techniques for providing ion source feed materials are disclosed. In one particular exemplary embodiment, the techniques may be realized as a container for supplying an ion source feed material. The container may comprise an internal cavity to be pre-filled with an ion source feed material. The container may also comprise an outer body configured to be removably loaded into a corresponding housing that is coupled to an ion source chamber via a nozzle assembly. The container may further comprise an outlet to seal in the pre-filled ion source feed material, the outlet being further configured to engage with the nozzle assembly to establish a flow path between the internal cavity and the ion source chamber. The container may be configured to be a disposable component.

WO 2008/088971 A3



Published:

- *with international search report*
- *before the expiration of the time limit for amending the claims and to be republished in the event of receipt of amendments*

(88) Date of publication of the international search report:

11 June 2009

INTERNATIONAL SEARCH REPORT

International application No
PCT/US2008/050478

A. CLASSIFICATION OF SUBJECT MATTER

INV. H01J27/02 H01J37/08 H01J37/317 F17C9/02

According to International Patent Classification (IPC) or to both national classification and IPC

B. FIELDS SEARCHED

Minimum documentation searched (classification system followed by classification symbols)
B65D H01J C23C F17C

Documentation searched other than minimum documentation to the extent that such documents are included in the fields searched

Electronic data base consulted during the international search (name of data base and, where practical, search terms used)

EPO-Internal, WPI Data

C. DOCUMENTS CONSIDERED TO BE RELEVANT

Category*	Citation of document, with indication, where appropriate, of the relevant passages	Relevant to claim No.
X	US 2 882 410 A (BROBECK WILLIAM M) 14 April 1959 (1959-04-14)	1-27
Y	column 3, line 3 - column 4, line 3; figures 4,5	28-30
Y	----- US 3 434 894 A (GALE ALFRED J) 25 March 1969 (1969-03-25) column 2, lines 50-70; figure 1 column 4, lines 42-47; figure 2	28-30
A	----- EP 0 080 734 B (LOPES FERRO JAIME) 25 February 1987 (1987-02-25) column 8; figure 9	5, 19
A	----- US 4 845 366 A (HOFFMAN GREGORY C [US] ET AL) 4 July 1989 (1989-07-04) the whole document	1-30
	----- -/--	

Further documents are listed in the continuation of Box C.

See patent family annex.

* Special categories of cited documents:

- *A* document defining the general state of the art which is not considered to be of particular relevance
- *E* earlier document but published on or after the international filing date
- *L* document which may throw doubts on priority claim(s) or which is cited to establish the publication date of another citation or other special reason (as specified)
- *O* document referring to an oral disclosure, use, exhibition or other means
- *P* document published prior to the international filing date but later than the priority date claimed

- *T* later document published after the international filing date or priority date and not in conflict with the application but cited to understand the principle or theory underlying the invention
- *X* document of particular relevance; the claimed invention cannot be considered novel or cannot be considered to involve an inventive step when the document is taken alone
- *Y* document of particular relevance; the claimed invention cannot be considered to involve an inventive step when the document is combined with one or more other such documents, such combination being obvious to a person skilled in the art.
- *Z* document member of the same patent family

Date of the actual completion of the international search

17 April 2009

Date of mailing of the international search report

24/04/2009

Name and mailing address of the ISA/

European Patent Office, P.B. 5818 Patentlaan 2
NL - 2280 HV Rijswijk
Tel. (+31-70) 340-2040,
Fax: (+31-70) 340-3016

Authorized officer

Loiseleur, Pierre

INTERNATIONAL SEARCH REPORT

International application No

PCT/US2008/050478

C(Continuation). DOCUMENTS CONSIDERED TO BE RELEVANT

Category*	Citation of document, with indication, where appropriate, of the relevant passages	Relevant to claim No.
A	JP 60 054150 A (HITACHI LTD) 28 March 1985 (1985-03-28) abstract; figure 1 -----	1-30
A	WO 93/23869 A (SUPERION LTD [GB]; AITKEN DEREK [GB]) 25 November 1993 (1993-11-25) the whole document -----	1-30

INTERNATIONAL SEARCH REPORT

Information on patent family members

International application No

PCT/US2008/050478

Patent document cited in search report	Publication date	Patent family member(s)	Publication date
US 2882410	A	14-04-1959	NONE
US 3434894	A	25-03-1969	NONE
EP 0080734	B	25-02-1987	DE 3275480 D1 02-04-1987 EP 0080734 A2 08-06-1983 ES 8401789 A1 16-03-1984
US 4845366	A	04-07-1989	NONE
JP 60054150	A	28-03-1985	JP 1862461 C 08-08-1994 JP 5080099 B 05-11-1993
WO 9323869	A	25-11-1993	NONE