



US00D575390S

(12) **United States Design Patent**
Scott et al.

(10) **Patent No.:** **US D575,390 S**

(45) **Date of Patent:** **** Aug. 19, 2008**

(54) **EXHALATION VALVE FILTER**

6,584,976 B2 * 7/2003 Japuntich et al. 128/206.15
6,805,124 B2 10/2004 Japuntich et al.

(75) Inventors: **Chris W. Scott**, County Durham (GB);
Derek A. Parkin, County Durham (GB);
Abigail L. Curtis, Hartlepool (GB);
Lawrie D. Coote, Berkshire (GB)

OTHER PUBLICATIONS

U.S. Appl. No. 29/233,288 to Parkin et al., filed Jun. 30, 2005 entitled
Frame That Supports An Exhalation Valve Filter.

(73) Assignee: **3M Innovative Properties Company**,
St. Paul, MN (US)

* cited by examiner

(**) Term: **14 Years**

Primary Examiner—Ian Simmons
Assistant Examiner—Christopher Lee
(74) *Attorney, Agent, or Firm*—Karl G. Hanson

(21) Appl. No.: **29/233,287**

(57) **CLAIM**

(22) Filed: **Jun. 30, 2005**

The ornamental design for an exhalation valve filter, as shown
and described.

(51) **LOC (8) Cl.** **29-02**

(52) **U.S. Cl.** **D24/110.6; D24/110.1;**
D24/110.6

(58) **Field of Classification Search** D24/110.6,
D24/110.4, 110.1, 110.3; 128/201.28, 201.22,
128/201.25, 206.12, 206.19, 206.14, 206.24,
128/205.24, 205.25, 207.12

See application file for complete search history.

DESCRIPTION

FIG. 1 is a perspective view, showing the new design for an
exhalation valve filter; the filter is in the form of a nonwoven
fibrous web and covers the exhalation valve on a respiratory
mask;

FIG. 2 is a rear view thereof;

FIG. 3 is a front view thereof;

FIG. 4 is a bottom view thereof;

FIG. 5 is a top view thereof; and,

FIG. 6 is a right side view thereof, the left side view being a
mirror image of the right side view.

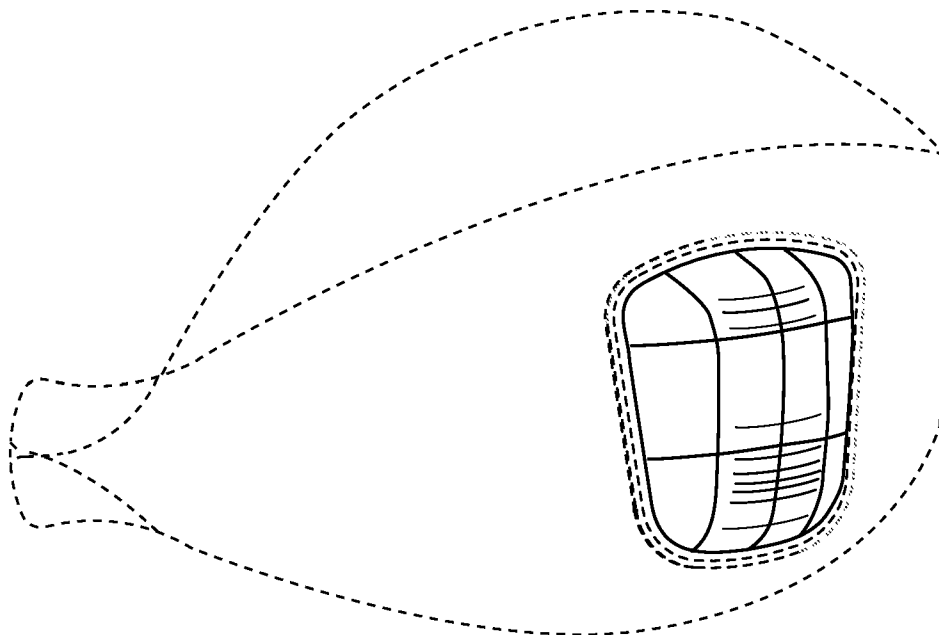
The broken line showing forms no part of the claimed design,
and the shading is provided to illustrate contour only and is
not an indication of texture, gloss, etc.

(56) **References Cited**

U.S. PATENT DOCUMENTS

D347,298 S *	5/1994	Japuntich et al.	D24/110.4
5,829,433 A *	11/1998	Shigematsu et al.	128/202.28
D413,166 S *	8/1999	Snow et al.	D24/110.6
6,047,698 A *	4/2000	Magidson et al.	128/207.12
D431,647 S *	10/2000	Henderson et al.	D24/110.1
D449,377 S *	10/2001	Henderson et al.	D24/110.1
D458,364 S *	6/2002	Curran et al.	D24/110.1
RE37,974 E *	2/2003	Bowers	137/855

1 Claim, 3 Drawing Sheets



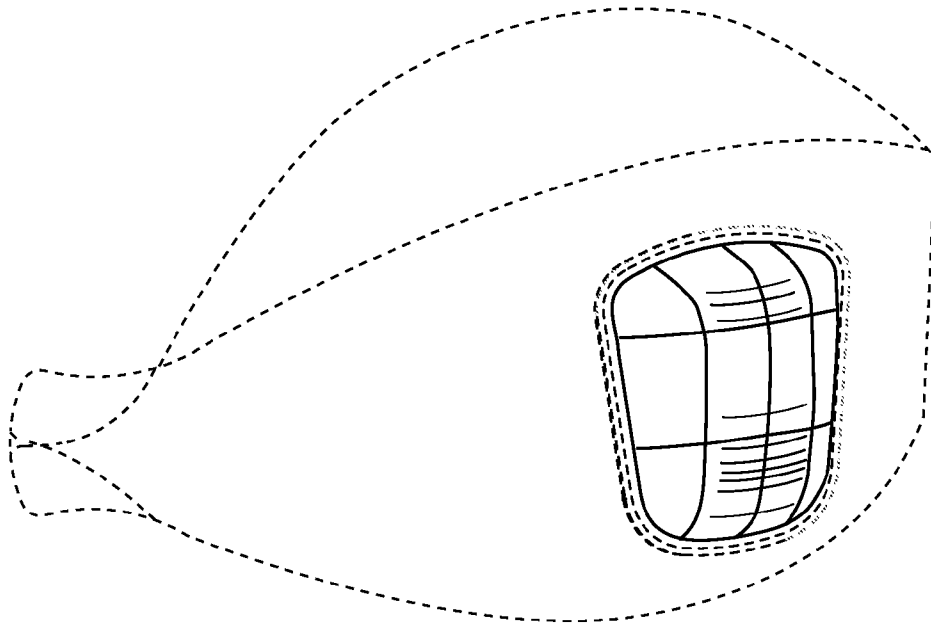


Fig. 1

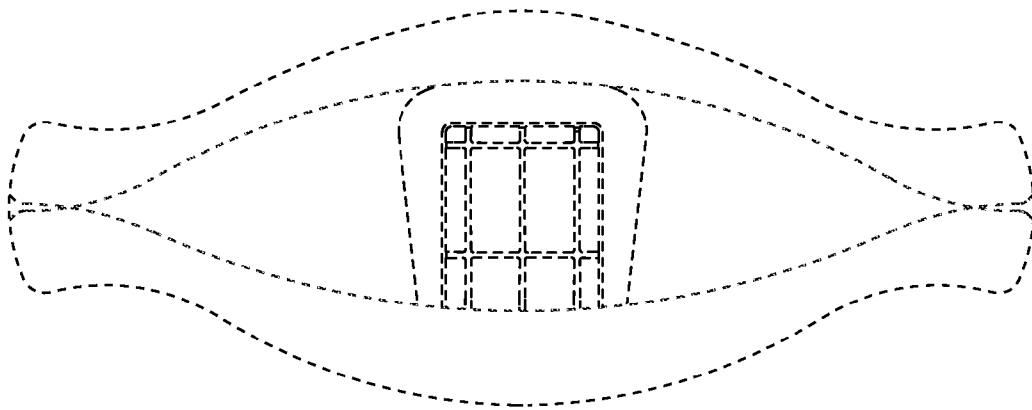


Fig. 2

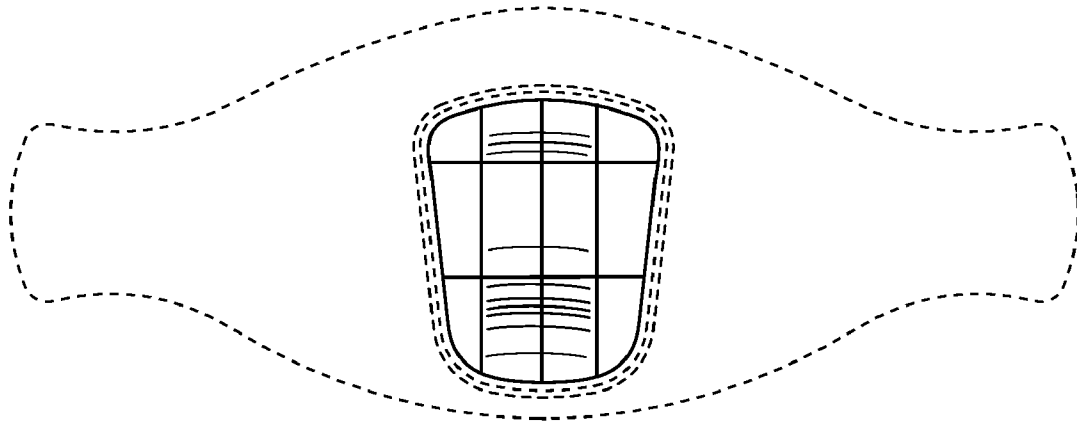


Fig. 3

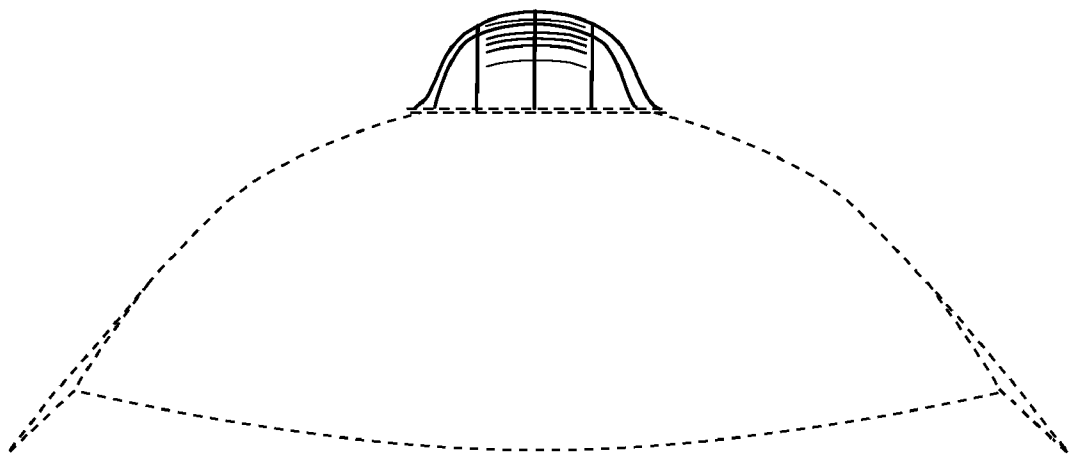


Fig. 4

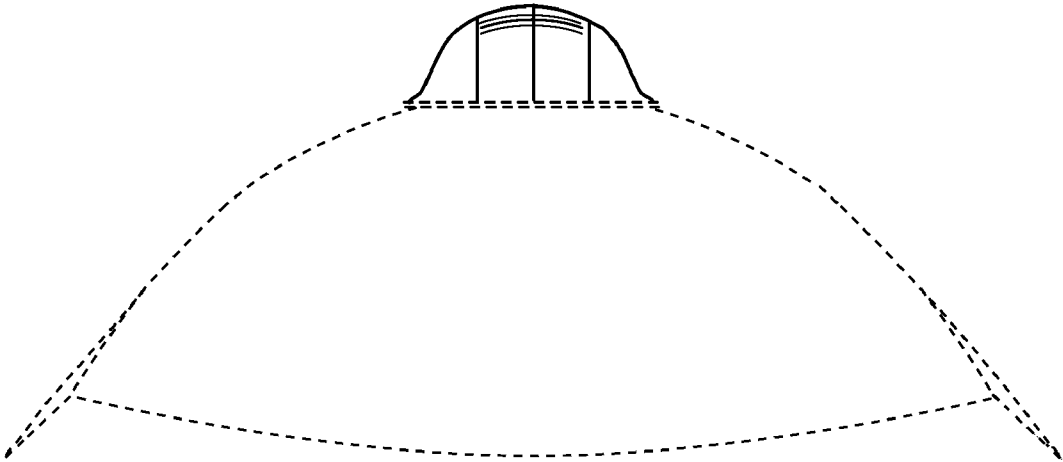


Fig. 5

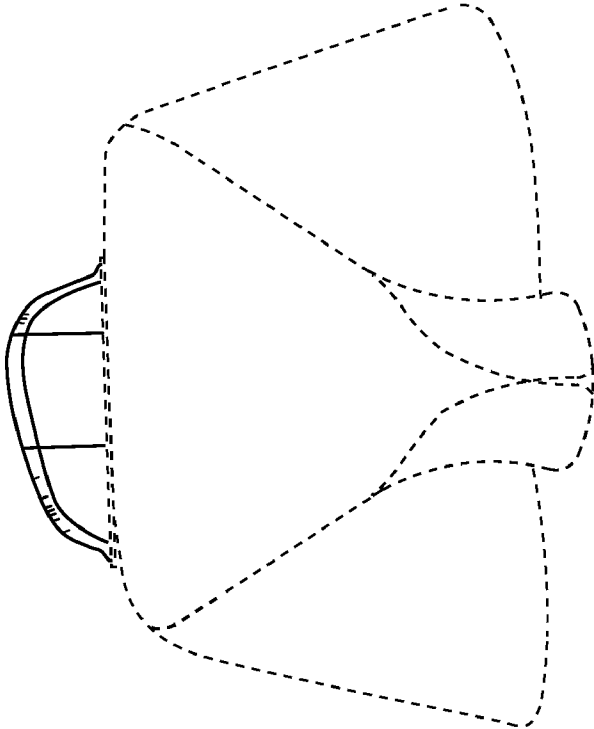


Fig. 6