



US00D655136S

(12) **United States Design Patent**
Goodman

(10) **Patent No.:** **US D655,136 S**

(45) **Date of Patent:** **** Mar. 6, 2012**

(54) **CUP HOLDER WITH TRAY**

(75) Inventor: **Earl Lloyd Goodman**, Potomac, MD
(US)

(73) Assignee: **Charge Forward, LLC**, Rockville, MD
(US)

(**) Term: **14 Years**

(21) Appl. No.: **29/397,847**

(22) Filed: **Jul. 21, 2011**

(51) **LOC (9) Cl.** **07-01**

(52) **U.S. Cl.** **D7/553.6**

(58) **Field of Classification Search** D7/602,
D7/701-708, 543-549, 553.1, 553.4, 553.6,
D7/619.1-620; 206/217, 557-558, 562-565;
220/23.83, 23.86, 575; 294/146, 159, 172
See application file for complete search history.

(56) **References Cited**

U.S. PATENT DOCUMENTS

- D139,954 S * 1/1945 Krass D7/505
- 2,916,180 A * 12/1959 Alger 220/23.86
- 3,401,858 A * 9/1968 White et al. 294/172
- D274,299 S * 6/1984 Kessler D7/551.3
- D291,957 S * 9/1987 Stevens D7/505
- D307,529 S * 5/1990 Baetens D7/505
- D345,084 S * 3/1994 Williams D7/553.8
- D352,213 S * 11/1994 Keven D7/701
- D353,742 S * 12/1994 Lewis et al. D7/558
- D366,817 S * 2/1996 Sampson D7/553.1
- 5,598,944 A * 2/1997 Aragona 220/23.75
- D378,334 S * 3/1997 Legere D7/620

- D387,950 S * 12/1997 Panta D7/552.1
- D410,820 S * 6/1999 Lofrano D7/549
- 5,950,856 A * 9/1999 Cinque 220/23.4
- D439,114 S * 3/2001 Dini D7/553.1
- D441,620 S * 5/2001 Goldsborough D7/701
- D456,216 S * 4/2002 Kothe D7/549
- D481,260 S * 10/2003 Bulcher et al. D7/553.1
- 6,651,836 B1 * 11/2003 Hofheins et al. 220/575
- 6,682,034 B1 * 1/2004 Vial 248/231.81
- 6,691,890 B1 * 2/2004 Persson 220/575
- D519,787 S * 5/2006 Kilders D7/549
- D540,622 S * 4/2007 Cox D7/555
- D581,740 S * 12/2008 Ingle D7/549
- D592,813 S * 5/2009 Newsome et al. D30/129
- D594,281 S * 6/2009 Luft D7/553.8
- D623,019 S * 9/2010 Wildman D7/554.2
- 7,798,354 B2 * 9/2010 Stowers, Sr. 220/23.8
- D629,654 S * 12/2010 Moon D7/552.1

* cited by examiner

Primary Examiner — Kelley Donnelly

(74) *Attorney, Agent, or Firm* — Sughrue Mion, PLLC

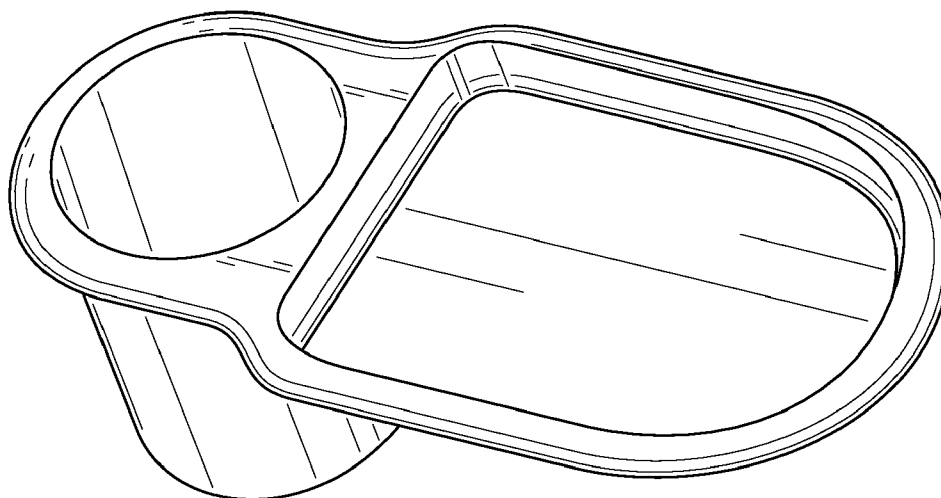
(57) **CLAIM**

The ornamental design for a cup holder with tray, as shown and described.

DESCRIPTION

FIG. 1 is a top perspective view of a cup holder with tray according to the present invention;
FIG. 2 is a top view thereof;
FIG. 3 is front perspective view thereof;
FIG. 4 is a side view thereof; and,
FIG. 5 is a bottom view thereof.

1 Claim, 3 Drawing Sheets



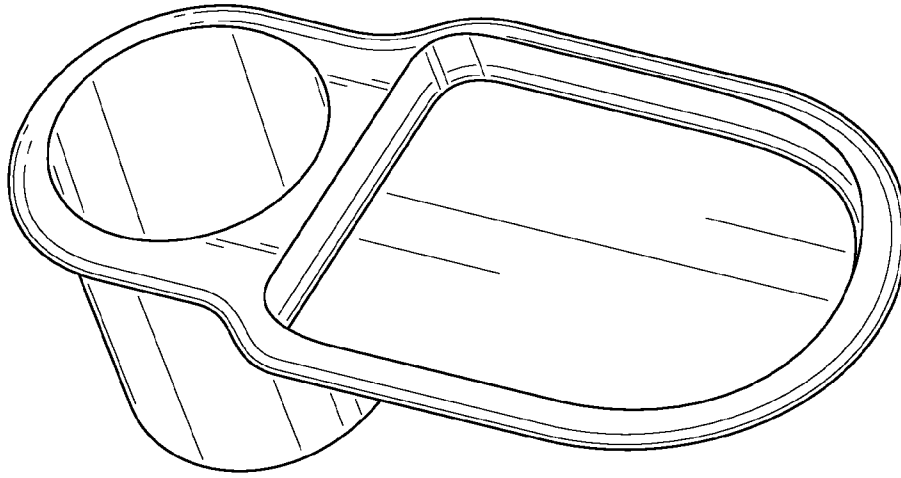


FIG. 1

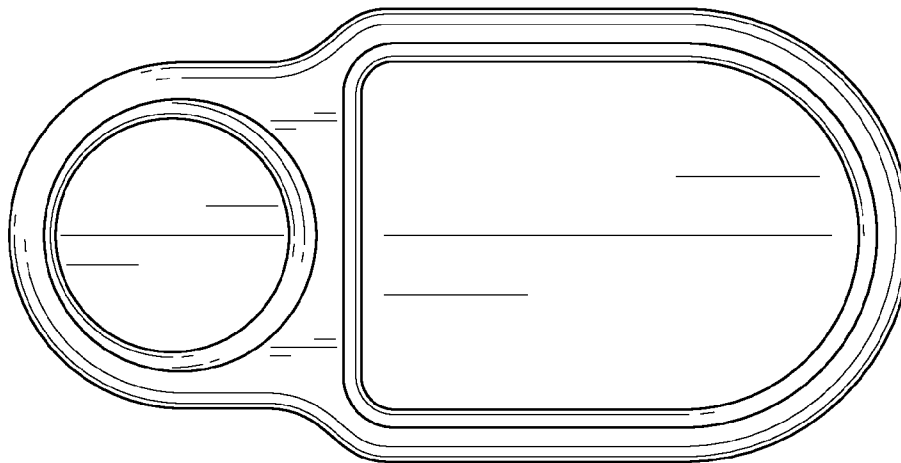


FIG. 2

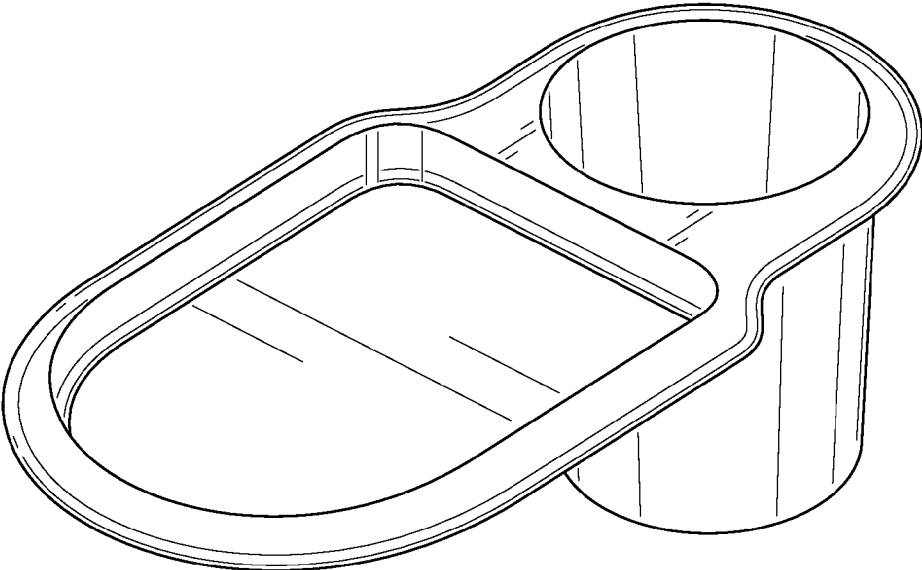


FIG. 3

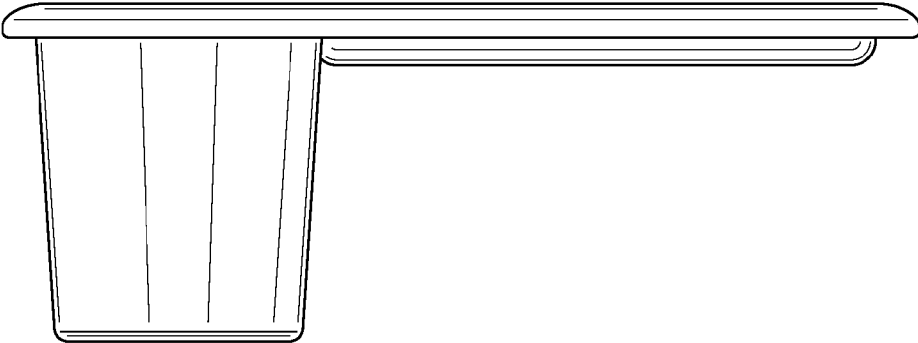


FIG. 4

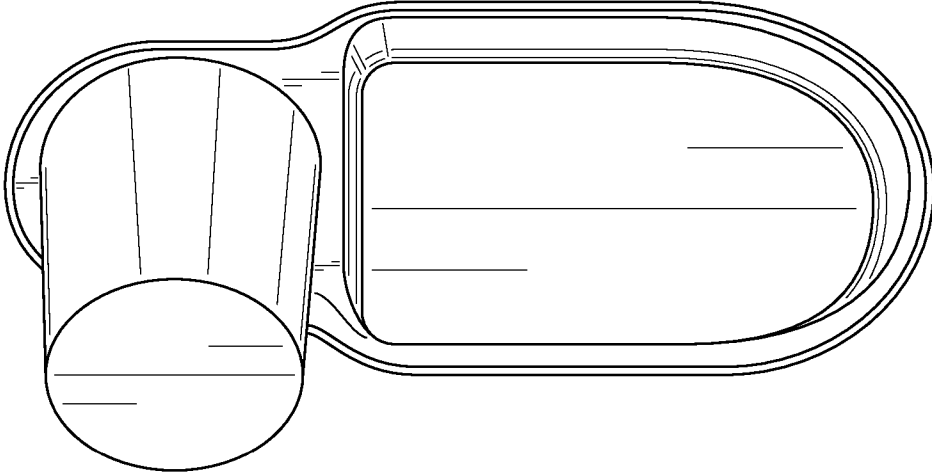


FIG. 5