



US00D990207S

(12) **United States Design Patent**
Zhao

(10) **Patent No.:** **US D990,207 S**

(45) **Date of Patent:** **** Jun. 27, 2023**

(54) **SHELF**

(71) Applicant: **Maohua Zhao**, Zhaotong (CN)

(72) Inventor: **Maohua Zhao**, Zhaotong (CN)

(73) Assignee: **Maohua Zhao**, Zhaotong (CN)

(**) Term: **15 Years**

(21) Appl. No.: **29/862,067**

(22) Filed: **Dec. 6, 2022**

(51) **LOC (14) Cl.** **06-06**

(52) **U.S. Cl.**

USPC **D6/677.5; D28/93**

(58) **Field of Classification Search**

USPC D6/315-317, 324, 677, 677.1, 677.2,
D6/677.5, 678, 678.1, 682.1; D28/93

CPC A47B 43/00; A47B 49/00; A47B 57/00;
A47B 57/06; A47F 5/00; A47F 5/0056;
A47F 5/0006; A47F 5/0081; A47F 5/01;
A47F 5/02

See application file for complete search history.

(56) **References Cited**

U.S. PATENT DOCUMENTS

D242,591 S * 12/1976 Hurd D6/680.3
D305,187 S * 12/1989 Kaufman, Jr. D6/682.6

D331,670 S * 12/1992 Soucy D6/677.1
D348,575 S * 7/1994 Dunn D6/680
D462,200 S * 9/2002 Pollard D6/680.2
D719,769 S * 12/2014 Daniels D6/682.1
D784,086 S * 4/2017 Rodriguez D6/677.2
D933,403 S 10/2021 Fukasawa
D950,989 S * 5/2022 Hunt D28/93

* cited by examiner

Primary Examiner — Kelley A Donnelly

(74) *Attorney, Agent, or Firm* — Nitin Kaushik

(57) **CLAIM**

The ornamental design for a shelf, as shown and described.

DESCRIPTION

FIG. 1 is a front perspective view of a shelf, showing my new design;

FIG. 2 is a front view thereof;

FIG. 3 is a rear view thereof;

FIG. 4 is a left side view thereof;

FIG. 5 is a right side view thereof;

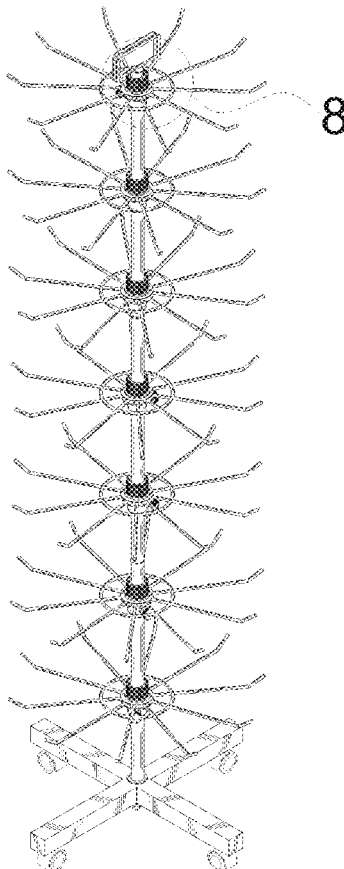
FIG. 6 is a top view thereof;

FIG. 7 is a bottom view thereof; and,

FIG. 8 is a partial enlargement of FIG. 1.

The broken lines in the drawings illustrate the portions of the shelf, which form no part of the claimed design.

1 Claim, 8 Drawing Sheets



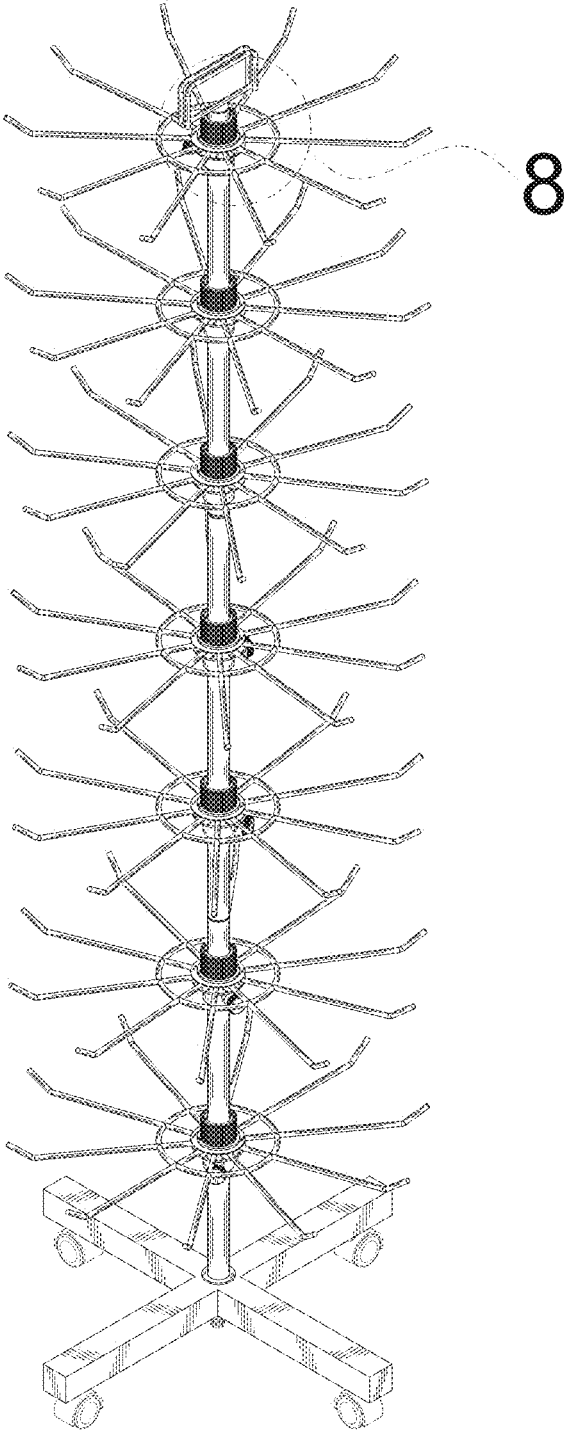


FIG. 1

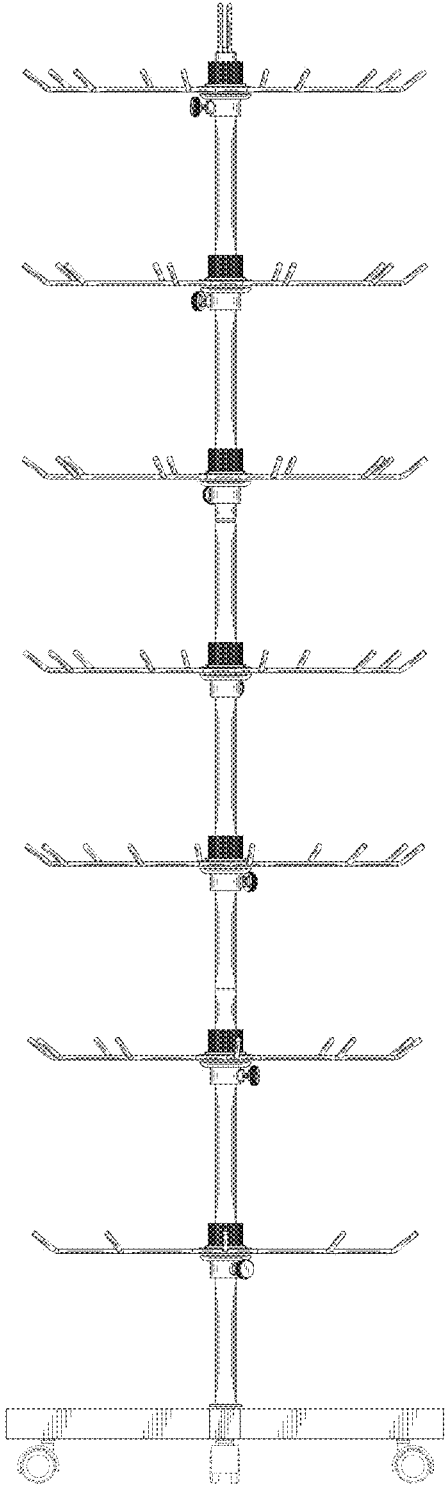


FIG. 2

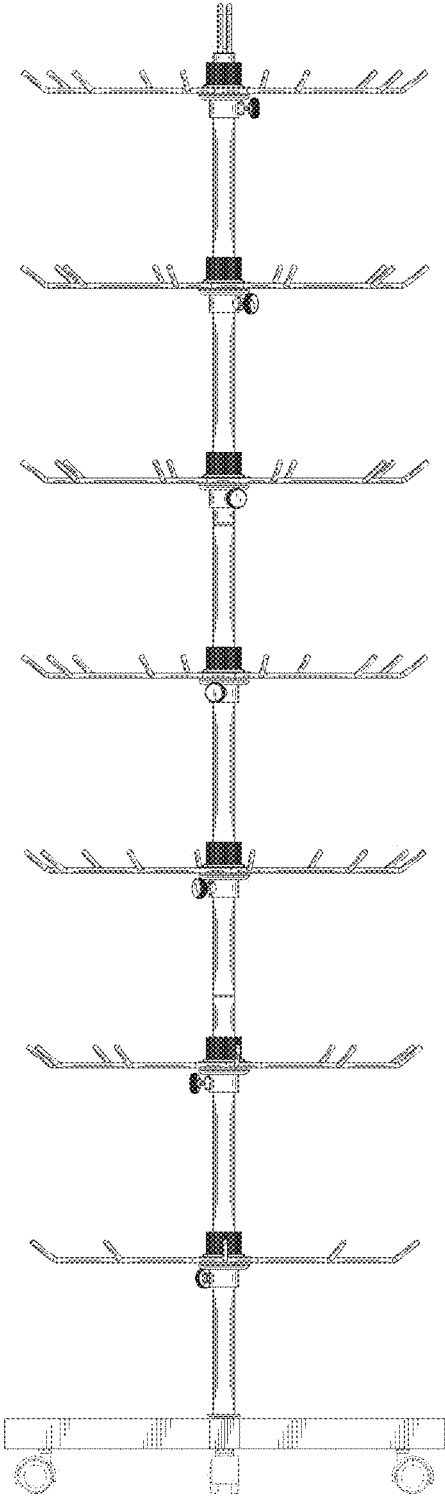


FIG. 3

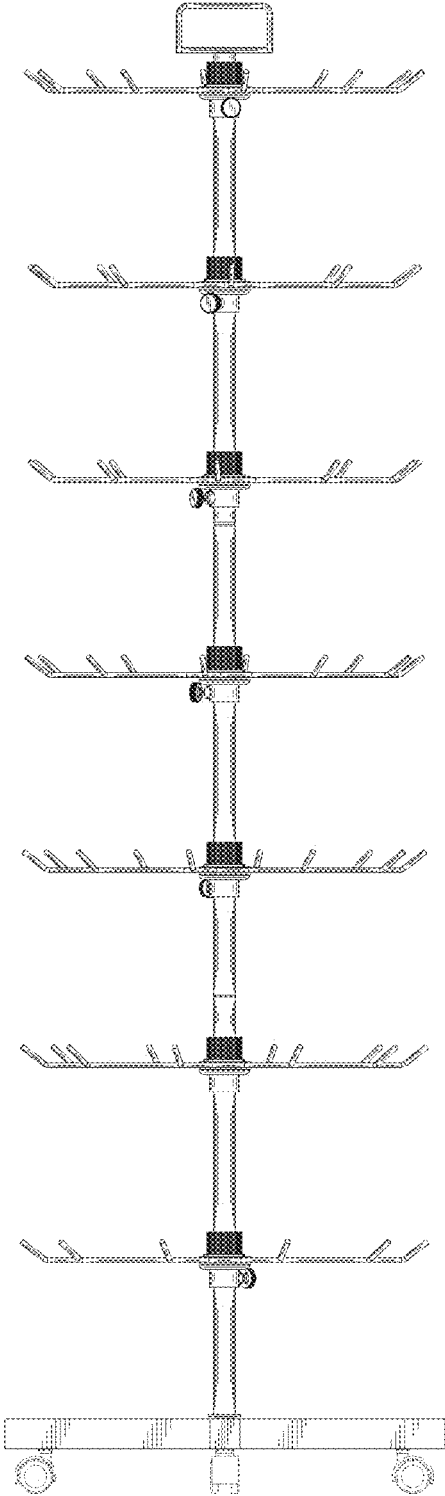


FIG. 4

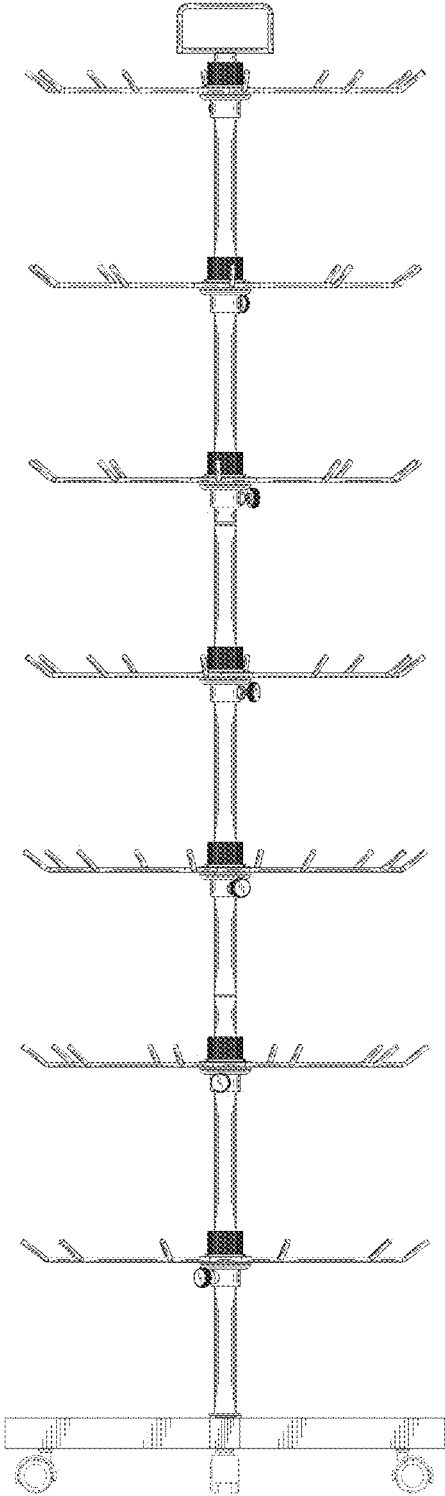


FIG. 5

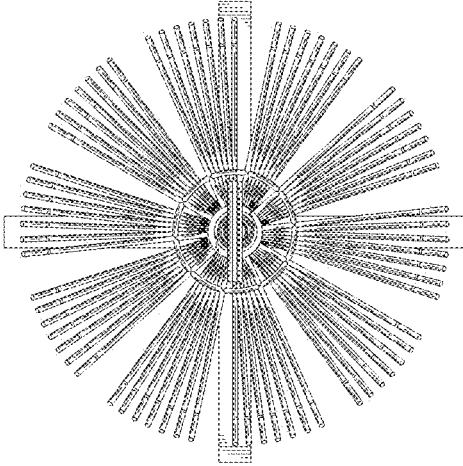


FIG. 6

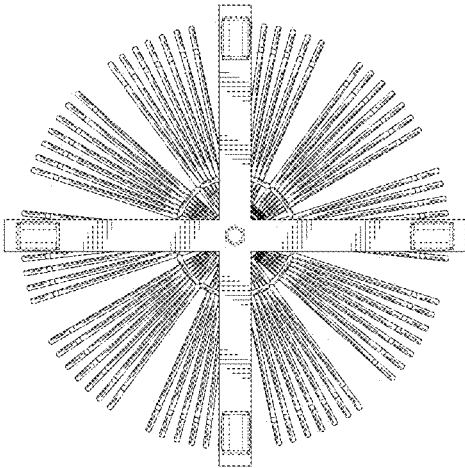


FIG. 7

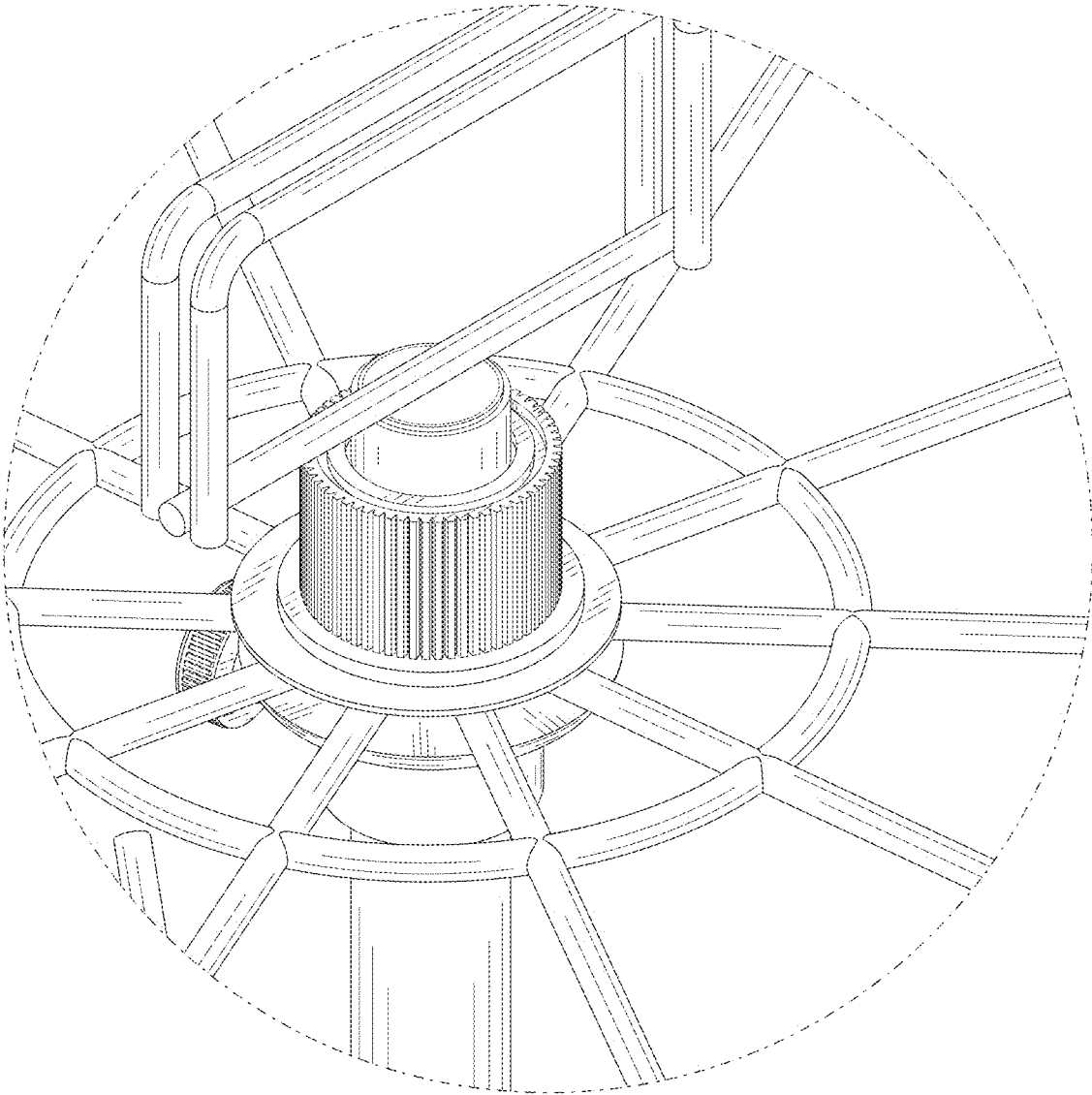


FIG. 8