



US00D993002S

(12) **United States Design Patent**
Lee

(10) **Patent No.:** **US D993,002 S**

(45) **Date of Patent:** **** Jul. 25, 2023**

- (54) **ELECTRIC OUTLET COVER**
- (71) Applicant: **IPETIT CO., LTD.**, Yongin-si (KR)
- (72) Inventor: **Keun Jin Lee**, Goyang-si (KR)
- (73) Assignee: **IPETIT CO., LTD.**, Yongin-si (KR)
- (**) Term: **15 Years**

D948,314 S *	4/2022	Lee	D8/353
11,390,439 B2 *	7/2022	Pruitt, II	B65D 75/367
D973,465 S *	12/2022	Lee	D8/353
D973,466 S *	12/2022	Lee	D8/353
2005/0257951 A1 *	11/2005	Xu	H02G 3/14 174/66

* cited by examiner

Primary Examiner — Jennifer O King
(74) *Attorney, Agent, or Firm* — NKL Law; Jae Youn Kim

(21) Appl. No.: **29/819,828**

(22) Filed: **Dec. 17, 2021**

(51) **LOC (14) Cl.** **11-05**

(52) **U.S. Cl.**
USPC **D8/353**

(58) **Field of Classification Search**
USPC D13/110, 155, 156; D8/350, 353, 356
See application file for complete search history.

(56) **References Cited**

U.S. PATENT DOCUMENTS

D257,662 S *	12/1980	Brezney	D11/132
D604,147 S *	11/2009	Sinisi	D8/351
D668,931 S *	10/2012	Yoo	D8/353
D948,313 S *	4/2022	Lee	D8/353

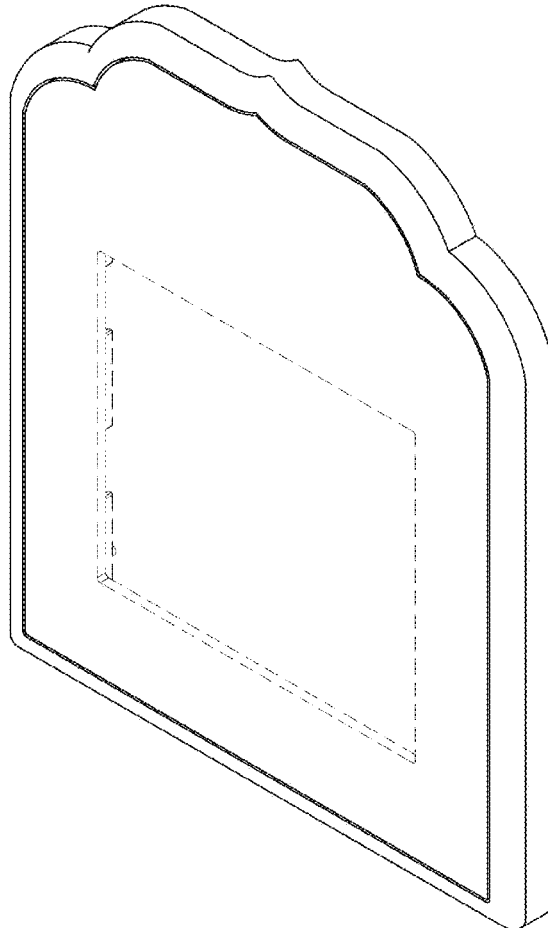
(57) **CLAIM**

I claim the ornamental design for an electric outlet cover, as shown and described.

DESCRIPTION

FIG. 1 is a perspective view of an electric outlet cover, showing my new design;
FIG. 2 is a front elevation view thereof;
FIG. 3 is a rear elevation view thereof;
FIG. 4 is a left side elevation view thereof;
FIG. 5 is a right side elevation view thereof;
FIG. 6 is a top plan view thereof; and,
FIG. 7 is a bottom plan view thereof.
The broken lines in the drawings show portions of the electric outlet cover that form no part of the claimed design.

1 Claim, 6 Drawing Sheets



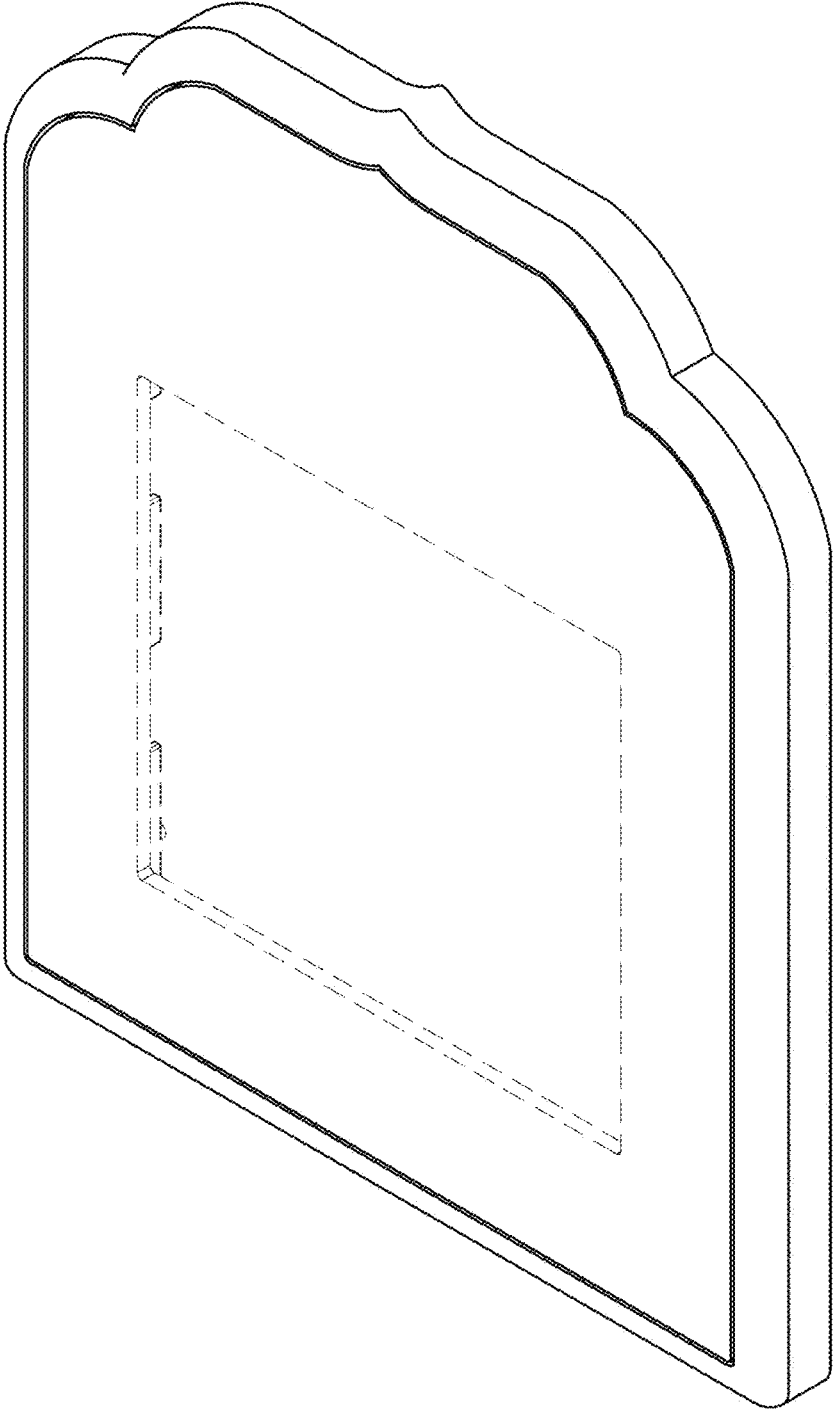


FIG. 1

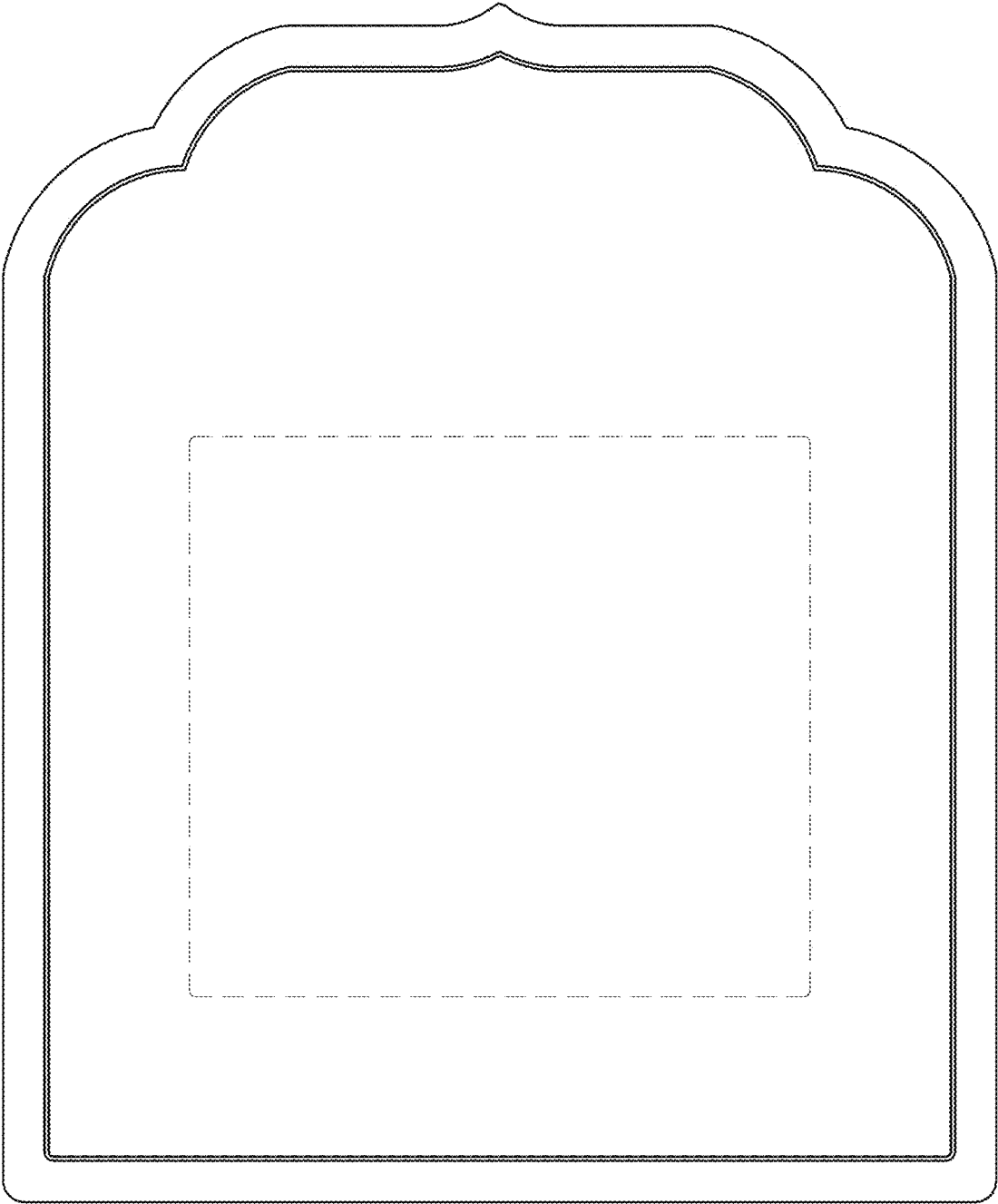


FIG. 2

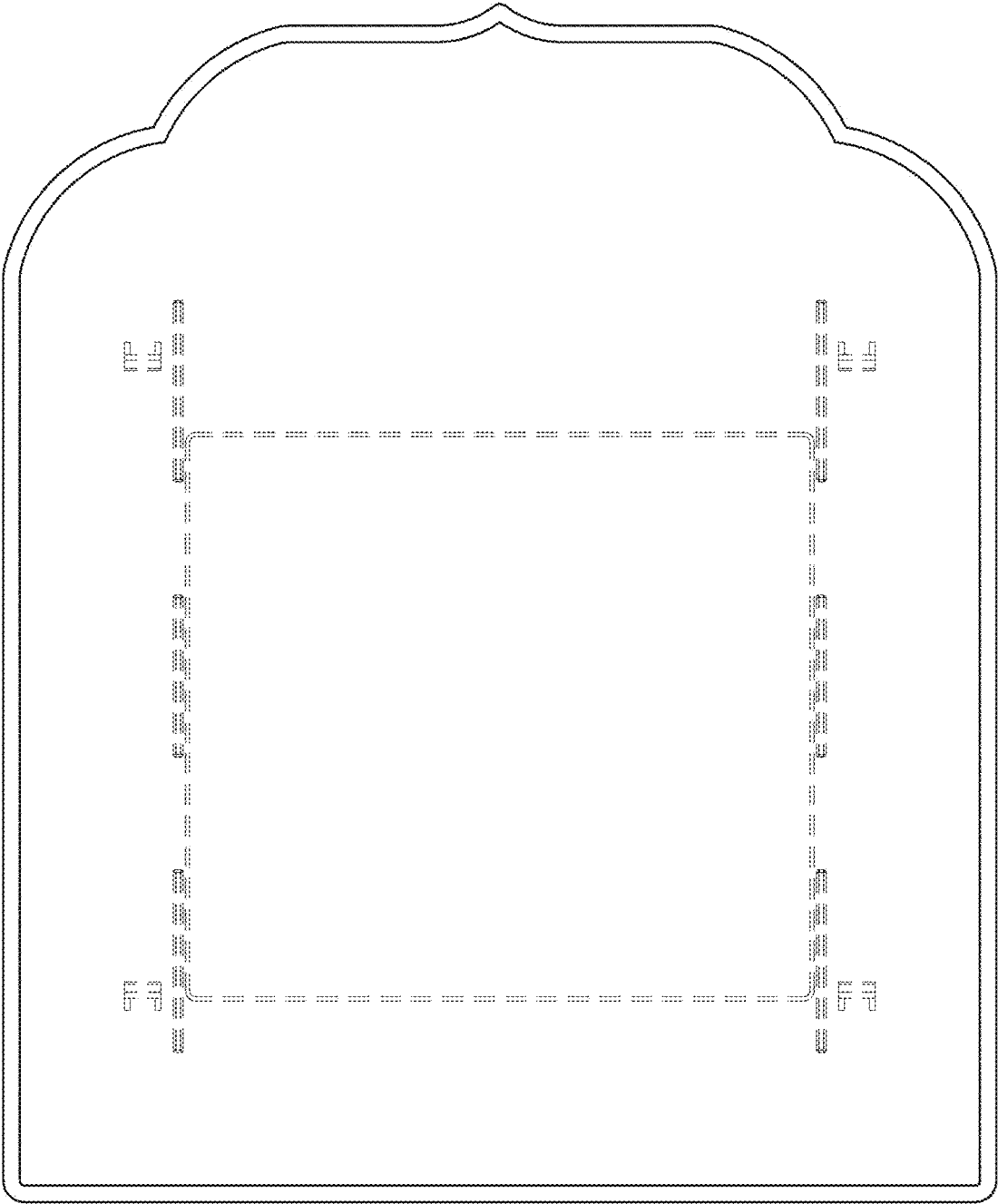


FIG. 3



FIG. 4



FIG. 5



FIG. 6

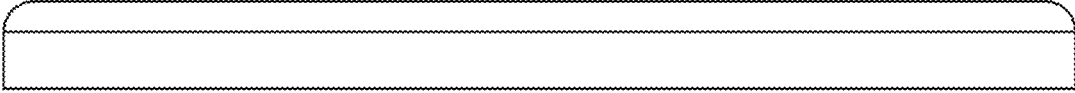


FIG. 7