



US00D409286S

United States Patent [19] Warshawsky

[11] Patent Number: **Des. 409,286**

[45] Date of Patent: **** May 4, 1999**

[54] SET OF FAUCET AND KNOBS

D. 394,482 5/1998 Dpuyed et al. D23/255
D. 395,486 6/1998 Dougerty et al. D23/280

[75] Inventor: **Jerome Warshawsky**, Hewlett Harbor, N.Y.

Primary Examiner—Louis S. Zarfaz
Assistant Examiner—Eric Watterson
Attorney, Agent, or Firm—Alfred M. Walker

[73] Assignee: **IW Industries, Inc.**, Melville, N.Y.

[**] Term: **14 Years**

[57] CLAIM

[21] Appl. No.: **29/089,577**

The ornamental design for a set of faucet and knobs, as shown and described.

[22] Filed: **Jun. 18, 1998**

DESCRIPTION

[51] LOC (6) Cl. **23-01**

FIG. 1 is a perspective view of a set of faucet and knobs, showing my new design;

[52] U.S. Cl. **D23/242**

FIG. 2 is a front elevational view thereof;

[58] Field of Search D23/238-243,

FIG. 3 is a rear elevational view thereof;

D23/250-257; 4/675-678; D8/300-301

FIG. 4 is a right side elevational view thereof; the left side

elevational view being a mirror image thereof; and,

FIG. 5 is a top plan view thereof.

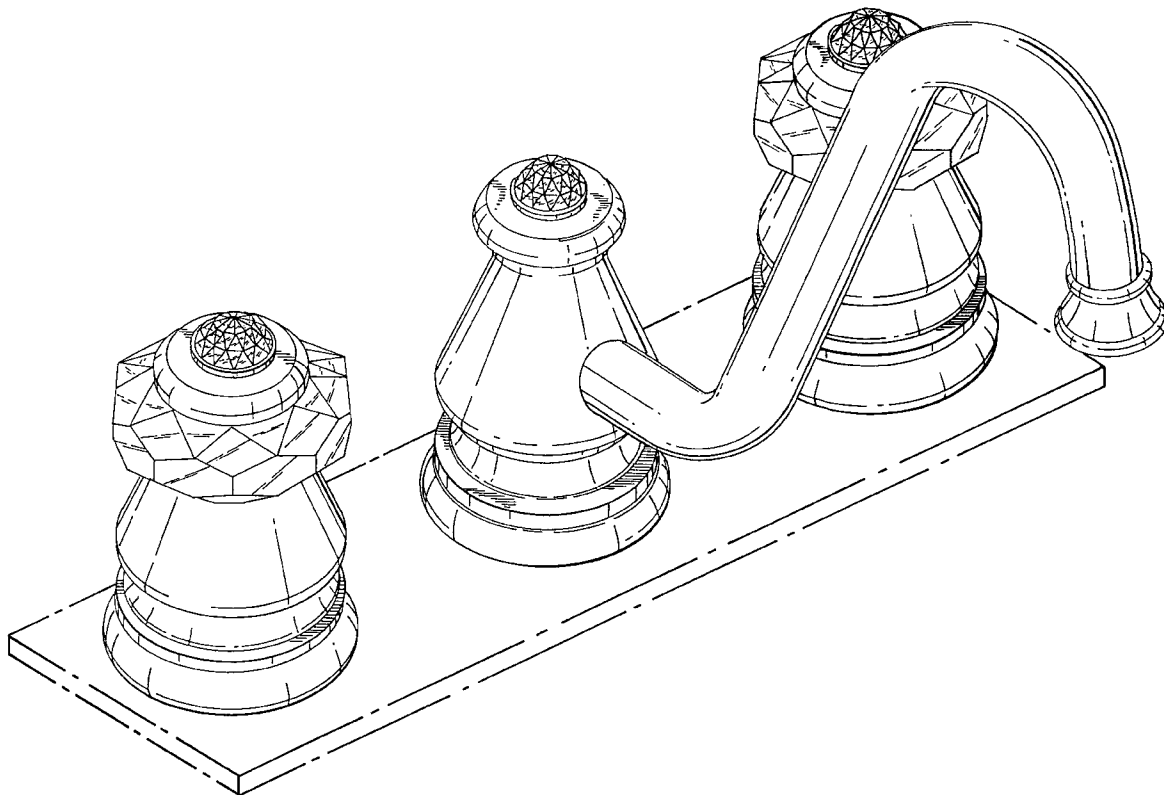
[56] **References Cited**

The broken line showing is for illustrative purposes only and forms no part of the claimed design.

U.S. PATENT DOCUMENTS

D. 318,099 7/1991 Reid et al. D23/255
D. 372,764 8/1996 Dubin D23/254
D. 387,130 12/1997 Worshowsky D23/238

1 Claim, 5 Drawing Sheets



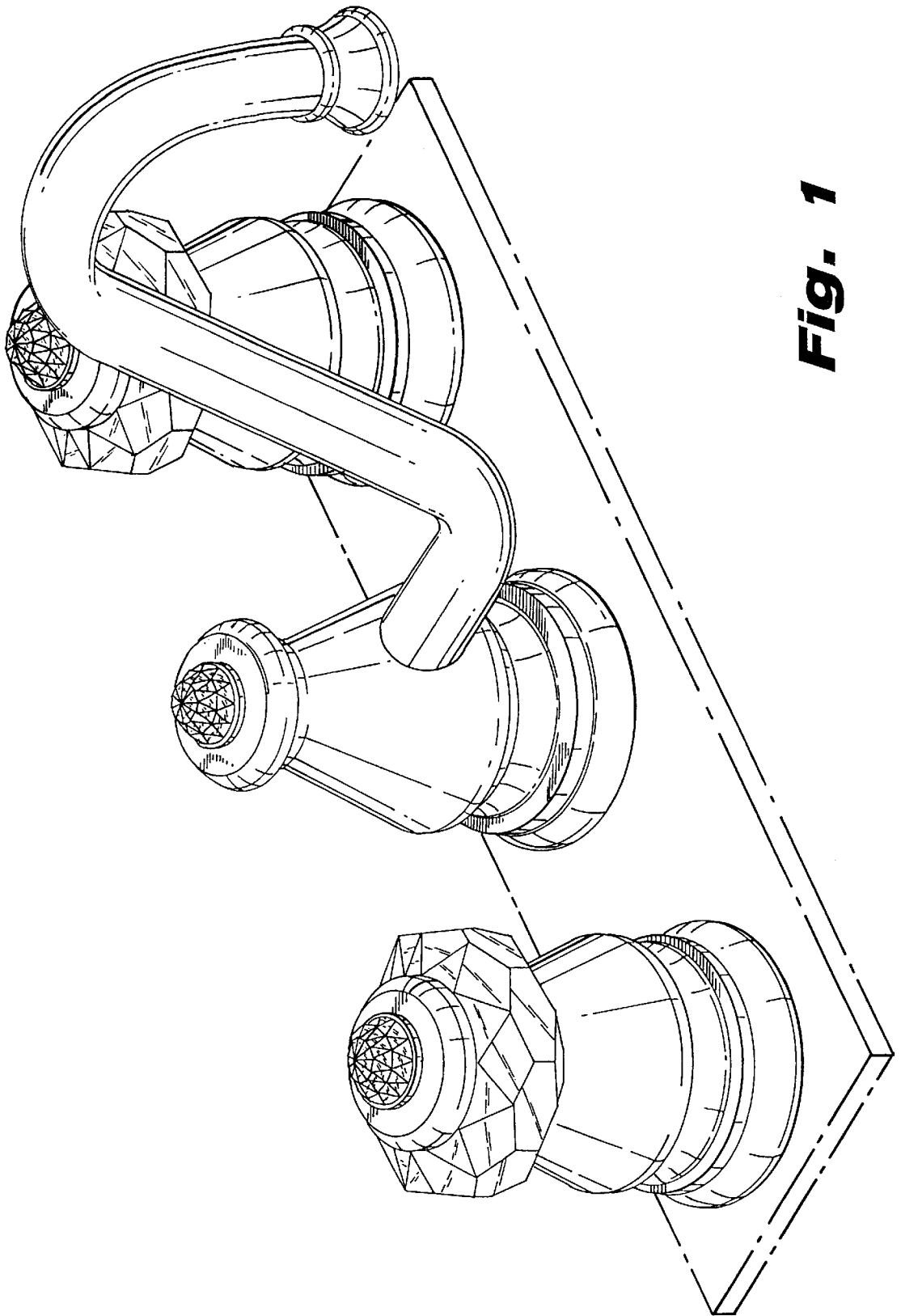


Fig. 1

Fig. 2

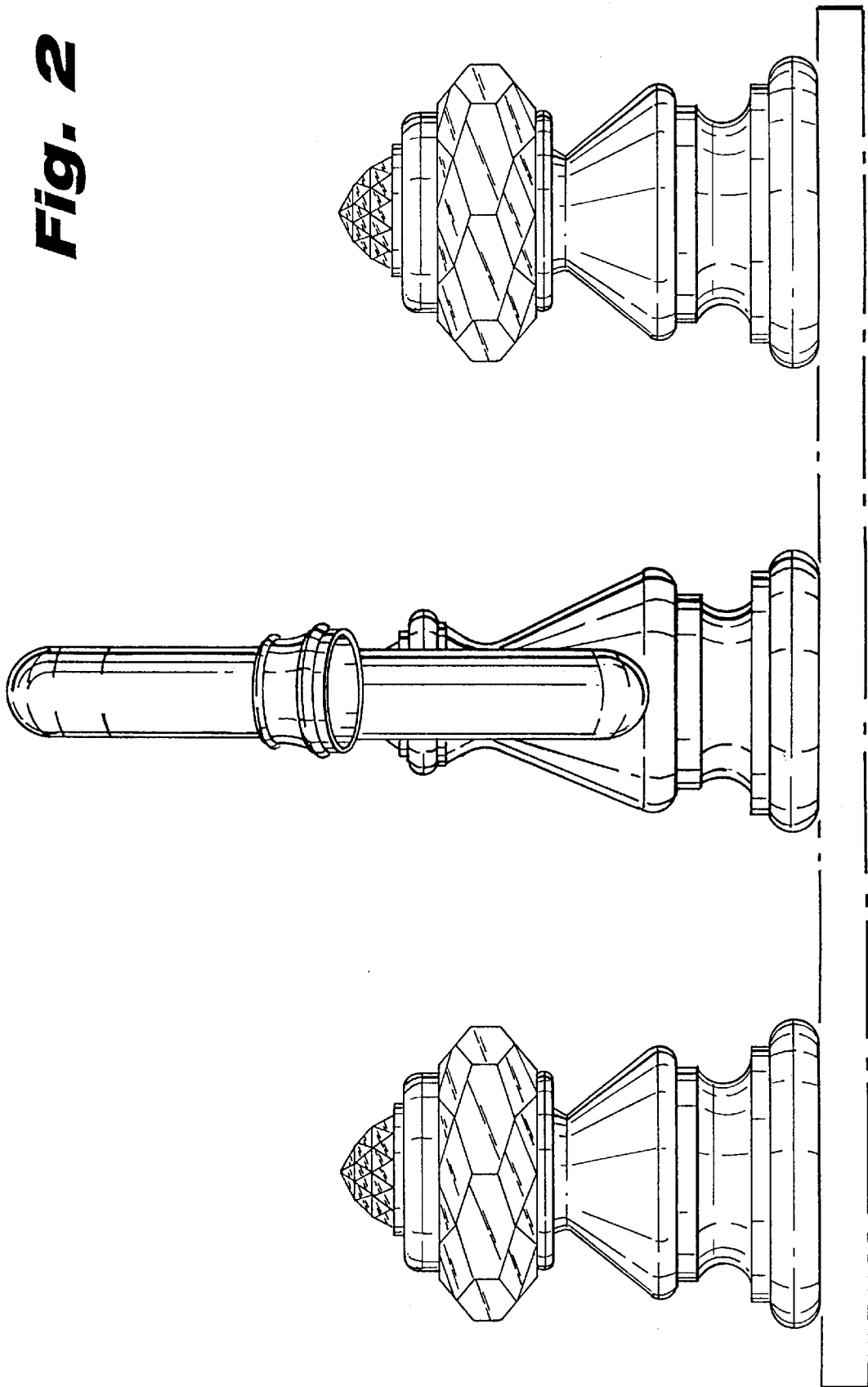
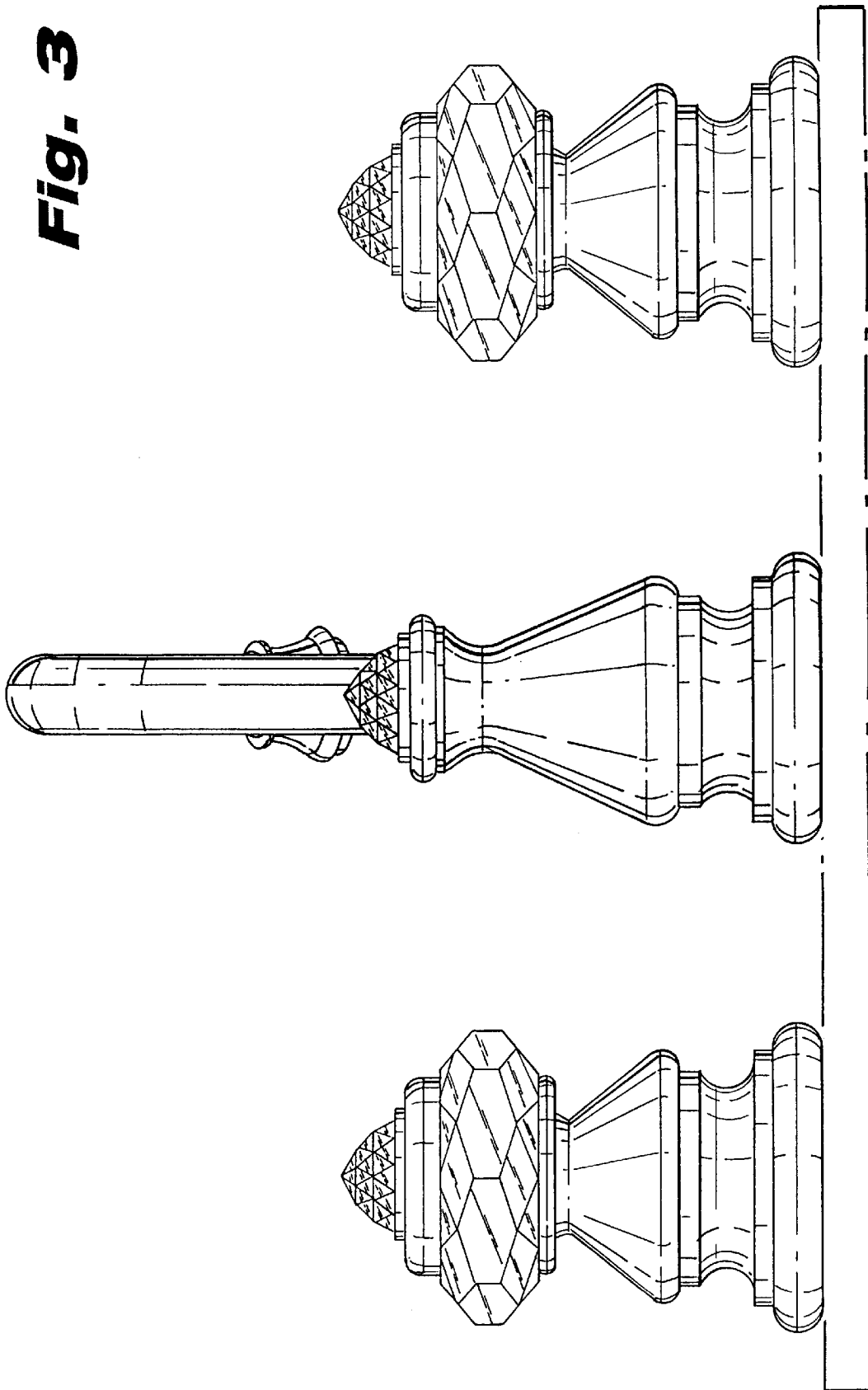


Fig. 3



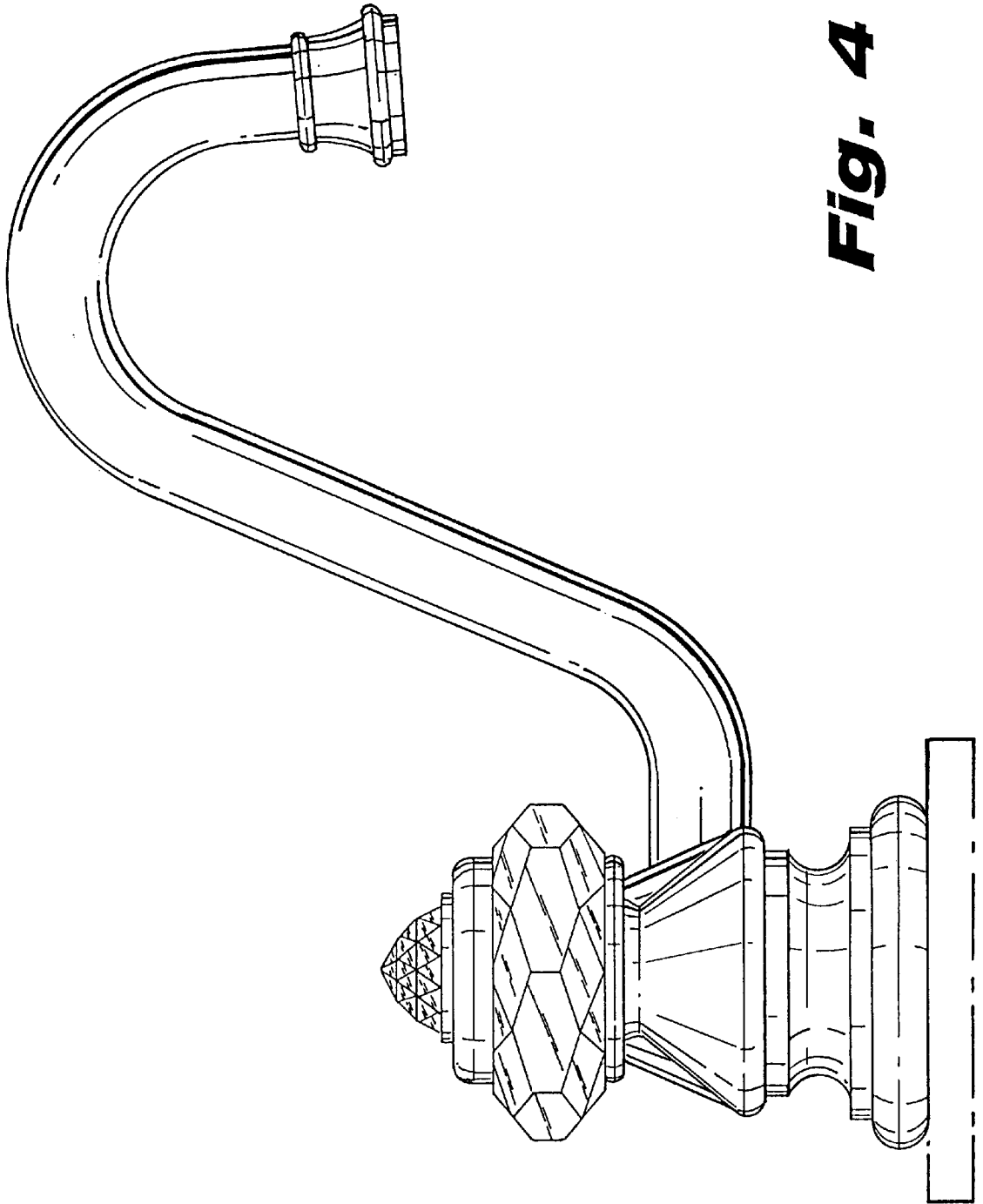


Fig. 4

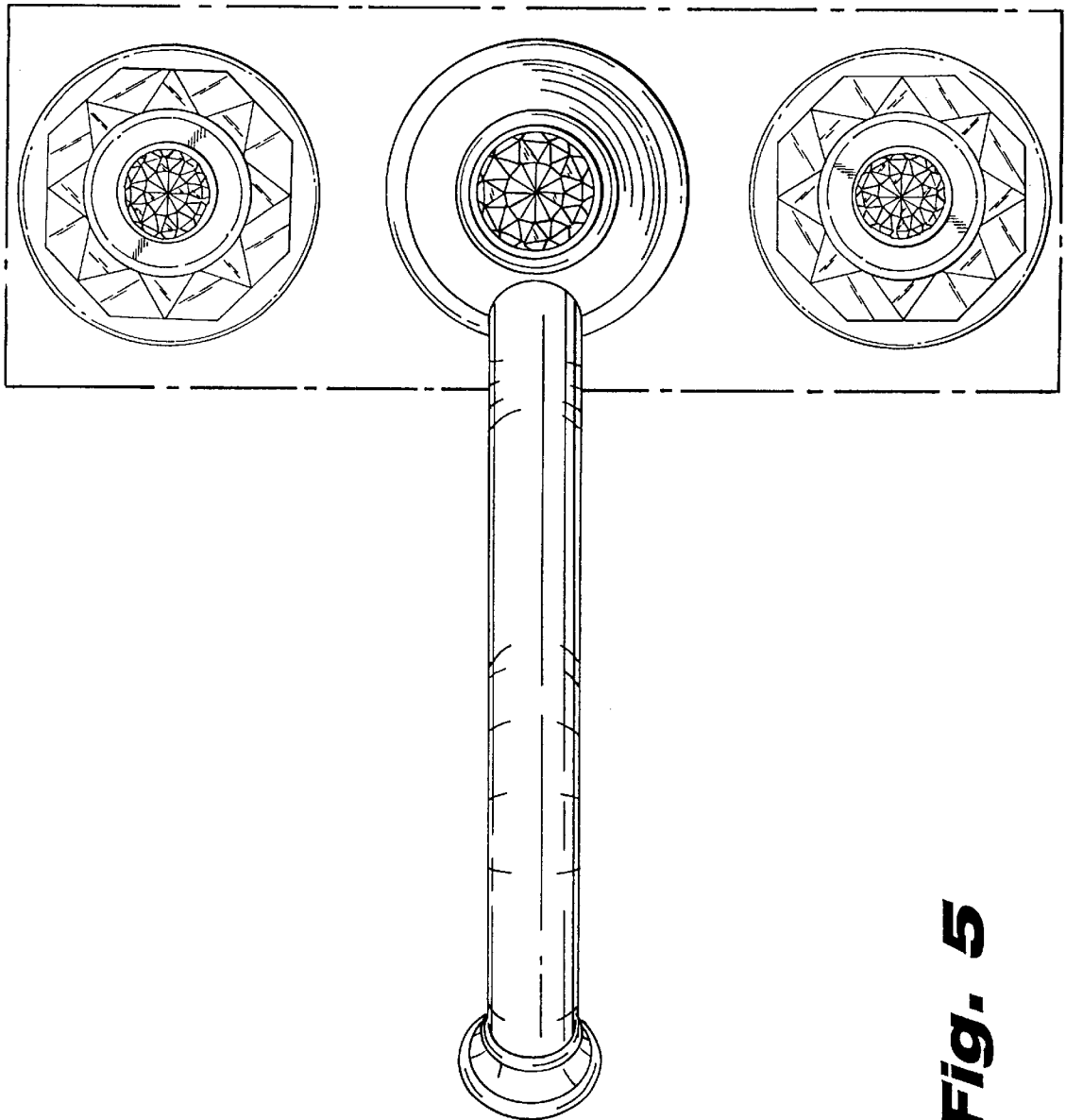


Fig. 5