



US00D958483S

(12) **United States Design Patent**
Busch

(10) **Patent No.:** **US D958,483 S**

(45) **Date of Patent:** **** Jul. 19, 2022**

- (54) **BIN**
- (71) Applicant: **BUSCH SYSTEMS INTERNATIONAL INC.,** Barrie (CA)
- (72) Inventor: **Craig Busch,** Barrie (CA)
- (73) Assignee: **BUSCH SYSTEMS INTERNATIONAL INC.,** Barrie (CA)

(**) Term: **15 Years**

(21) Appl. No.: **29/751,203**

(22) Filed: **Sep. 18, 2020**

(30) **Foreign Application Priority Data**

Mar. 23, 2020 (CA) CA 194046

(51) **LOC (13) CL.** **09-09**

(52) **U.S. CL.**
USPC **D34/1**

(58) **Field of Classification Search**

USPC D34/1, 5, 6, 7, 8, 9, 10, 11
CPC B65F 1/06; B65F 1/006; B65F 1/10; B65F 1/16; B65F 1/1607; B65F 1/67; B65F 1/02; B65F 1/14; B65F 1/062; B65F 1/014; B65F 1/163; B65F 1/1438; B65F 1/162; B65F 1/23; B65F 1/004; B65F 1/1473; B65F 1/002; B65F 1/04; B65F 2240/138; B65F 2230/134

See application file for complete search history.

(56) **References Cited**

U.S. PATENT DOCUMENTS

- 1,809,252 A * 6/1931 Pflimlin D01H 5/80 492/57
- D109,474 S * 5/1938 Connor D34/1
- 2,844,370 A * 7/1958 Thomas B65H 3/0638 271/42

- D309,116 S * 7/1990 Marshall D10/62
- 5,022,132 A * 6/1991 Valster B65G 39/09 198/842
- D404,865 S * 1/1999 Zackson D34/1
- D420,479 S * 2/2000 Delmerico D34/1
- D442,753 S * 5/2001 Weiss D34/1
- 6,808,063 B2 * 10/2004 Itoh B65G 13/06 198/788
- 7,285,928 B1 * 10/2007 Jolly B65F 1/06 318/281
- D593,271 S * 5/2009 Yang D34/9
- D684,332 S * 6/2013 Gollob D34/1
- 8,556,099 B2 * 10/2013 Perlman B65D 11/1873 206/217
- D714,009 S * 9/2014 Phillips D34/7
- D727,584 S * 4/2015 Busch D34/7
- D762,936 S * 8/2016 Tuncel D34/8
- D763,531 S * 8/2016 Mattern D34/7
- D765,937 S * 9/2016 Chen D34/7
- D766,538 S * 9/2016 Thuma D34/7
- D835,373 S * 12/2018 Busch D34/7

(Continued)

Primary Examiner — Cynthia Ramirez

(74) *Attorney, Agent, or Firm* — Polsinelli PC

(57) **CLAIM**

The ornamental design for a bin, as shown and described.

DESCRIPTION

FIG. 1 is a perspective view of the bin showing my new design;

FIG. 2 is a front view of the bin;

FIG. 3 is a rear view of the bin;

FIG. 4 is a right side view of the bin;

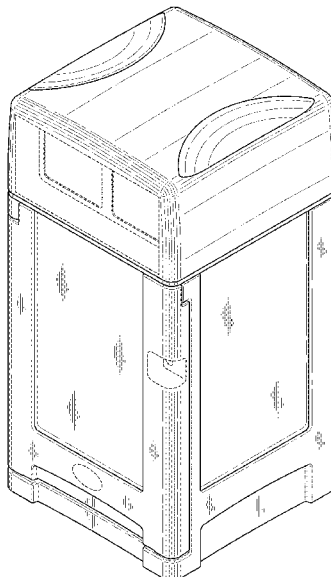
FIG. 5 is a left side view of the bin;

FIG. 6 is a top view of the bin; and,

FIG. 7 is a bottom view of the bin.

The broken lines showing in the figures are included for the purpose of illustrating portions of the bin that form no part of the claimed design.

1 Claim, 6 Drawing Sheets



(56)

References Cited

U.S. PATENT DOCUMENTS

D872,960	S *	1/2020	Chen	D34/7
D876,040	S *	2/2020	Chen	D34/9
D877,441	S *	3/2020	Zhou	D34/9
D882,202	S *	4/2020	Lu	D34/9
D903,217	S *	11/2020	Smeets	D34/7
D909,002	S *	1/2021	Chang	D34/9
D911,650	S *	2/2021	Liao	D34/9
D915,713	S *	4/2021	Chen	D34/9
D925,857	S *	7/2021	Downing	D34/9
D930,933	S *	9/2021	Yang	B65F 1/1646 D34/9
D942,106	S *	1/2022	Liao	D34/9
2003/0219616	A1 *	11/2003	Cheng	A47G 19/2227 428/542.2
2013/0001289	A1 *	1/2013	Tedford	B65D 81/3874 229/403

* cited by examiner

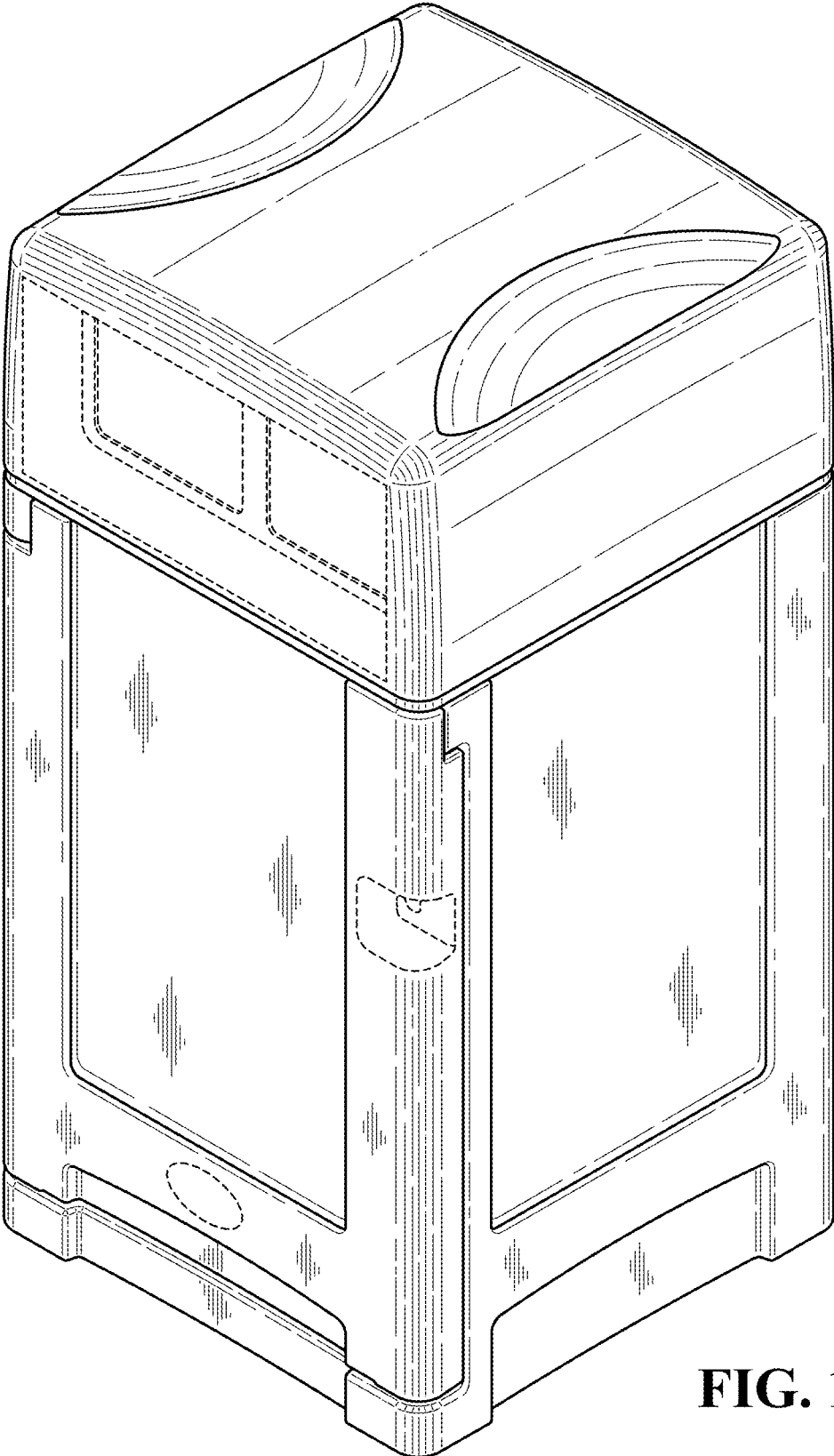


FIG. 1

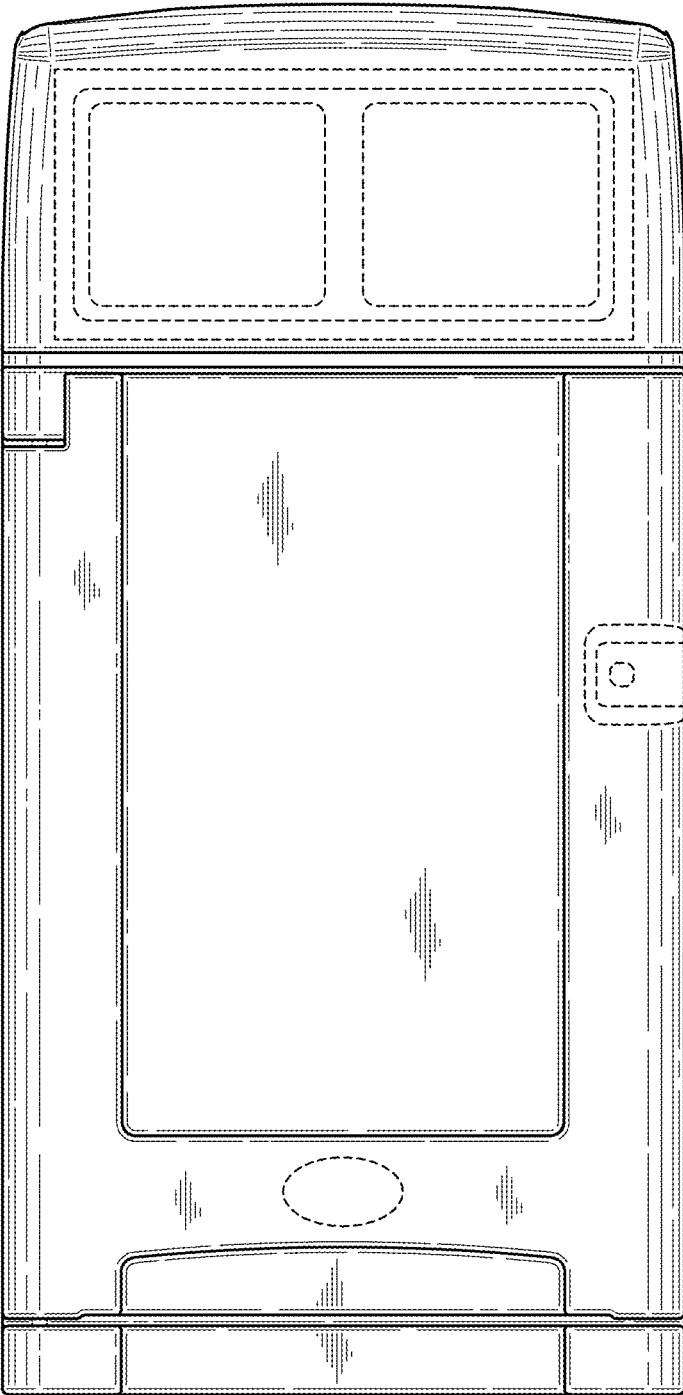


FIG. 2

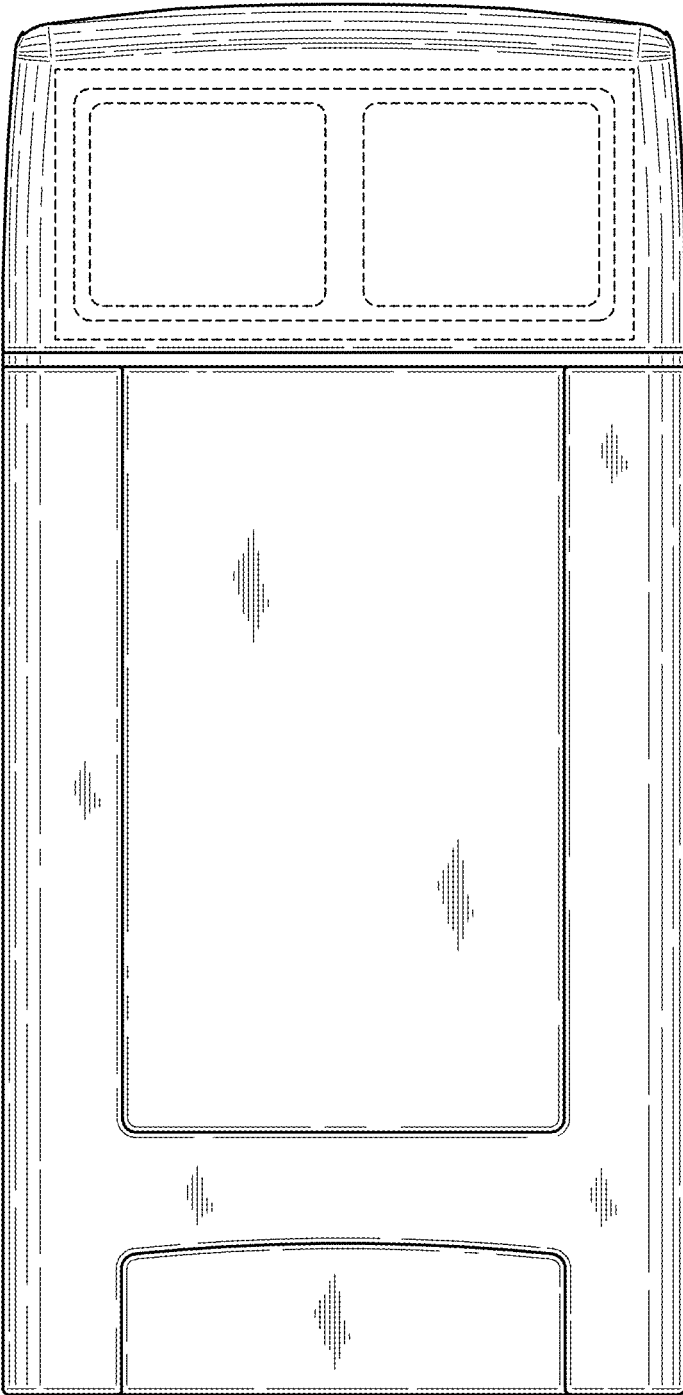


FIG. 3

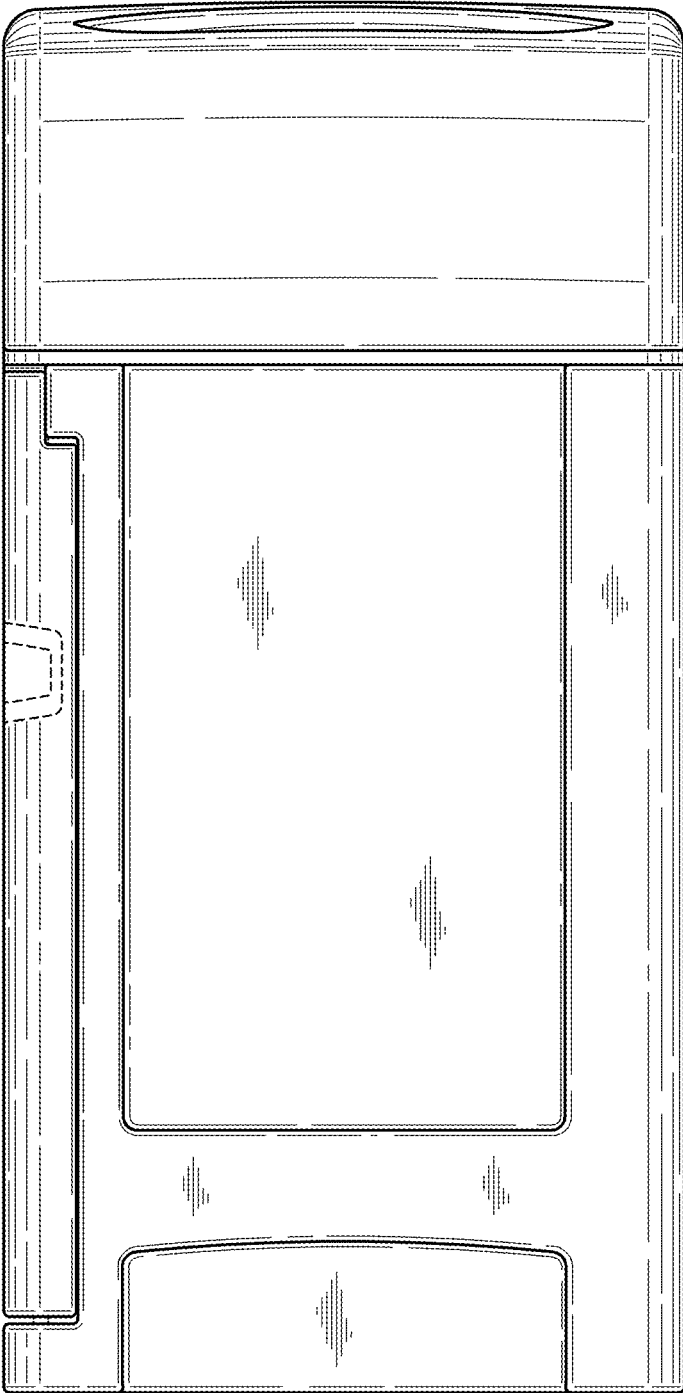


FIG. 4

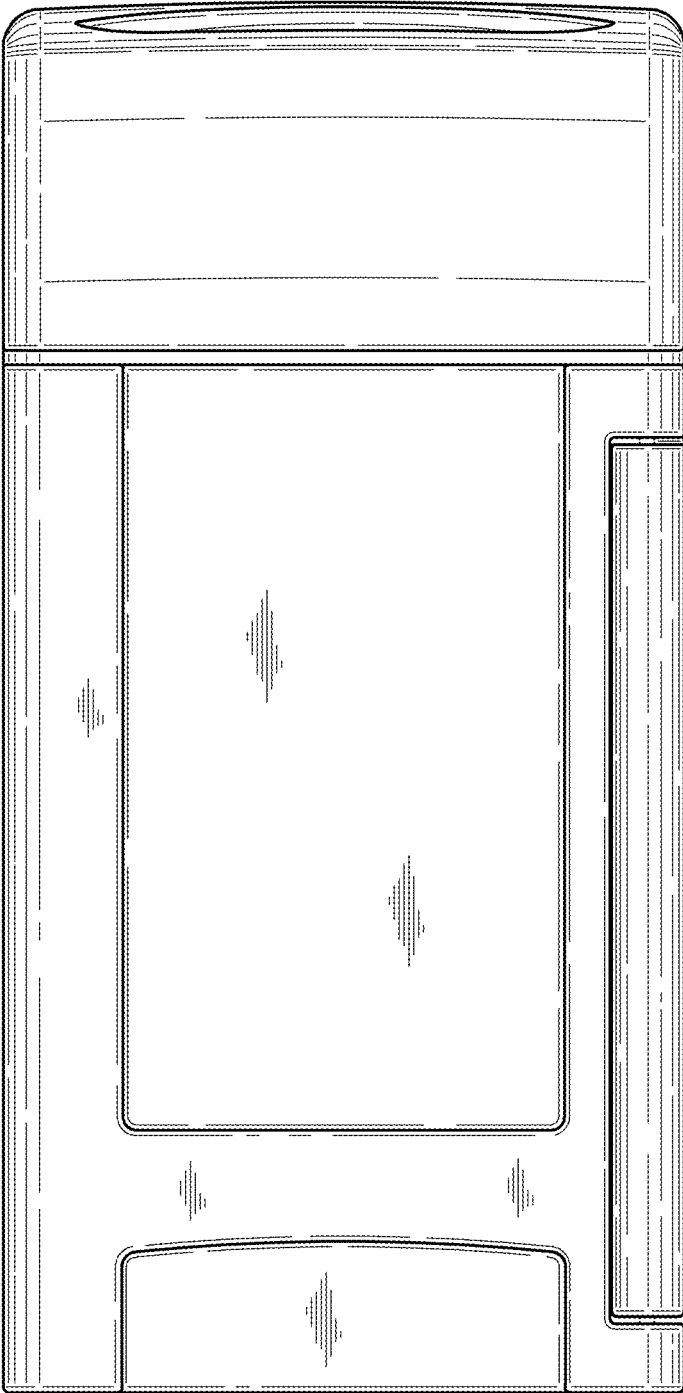


FIG. 5

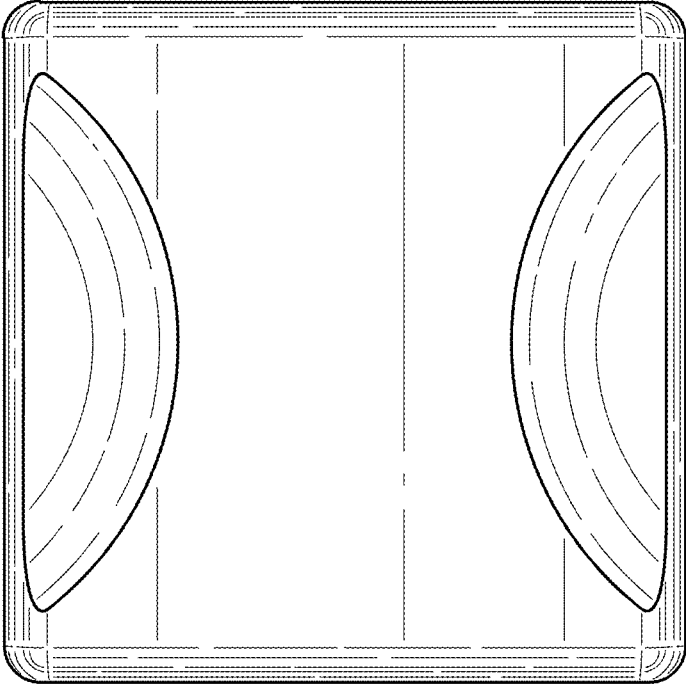


FIG. 6

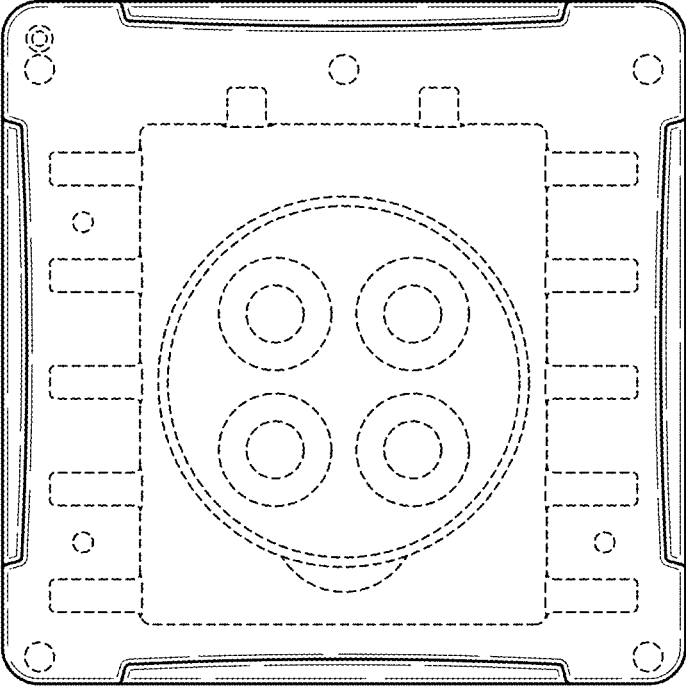


FIG. 7