



(12) **United States Design Patent**
Jesenko

(10) **Patent No.:** **US D784,277 S**
(45) **Date of Patent:** **** Apr. 18, 2017**

(54) **MEDICAL IMAGE DATA RECORDER**

- (71) Applicant: **a.tron3d GmbH**, Klagenfurt am Worthersee (AT)
- (72) Inventor: **Jurgen Jesenko**, Finkenstein (AT)
- (73) Assignee: **A.TRON3D GMBH**, Klagenfurt am Worthersee (AT)
- (**) Term: **15 Years**
- (21) Appl. No.: **29/538,796**
- (22) Filed: **Sep. 8, 2015**

(30) **Foreign Application Priority Data**

Mar. 5, 2015 (EM) 002647057-0002

(51) **LOC (10) Cl.** **14-03**

(52) **U.S. Cl.**

USPC **D14/126**

(58) **Field of Classification Search**

USPC D14/125-134, 239, 371, 136, 374-377, D14/440, 450, 448, 336, 342, 159; 312/7.2; 348/836, 838, 180, 184, 325, 348/739; 248/917-924, 465; 345/104, 345/133, 156, 168, 87, 173; D21/329, D21/515, 577, 622, 333, 433, 448, 452, D21/450, 331, 505; D10/15, 26; 446/484, 175, 356; D6/477, 479, 300; D20/10, 19, 39; D16/203, 241; 160/24; D24/186; 280/47, 35

CPC G06F 1/1601; G06F 1/1643; G06F 1/1652; G06F 1/1647; G06F 3/0412; H05K 5/0004; H05K 5/0017; H05K 5/02; H05K 5/0217; H04N 13/0459; A61B 34/20; A61B 2017/00212

See application file for complete search history.

(56) **References Cited**

U.S. PATENT DOCUMENTS

D338,272 S *	8/1993	Cunagin	D24/167
D412,748 S *	8/1999	Nabarro	D24/158
D550,362 S *	9/2007	Olivera	D24/185
D552,740 S *	10/2007	Park	D24/186
7,401,796 B1 *	7/2008	Greco	A47B 21/00 280/47.34
D720,317 S *	12/2014	Kamp	D14/126
D731,995 S *	6/2015	Kamp	D14/125
D744,971 S *	12/2015	Kamp	D14/129
D751,209 S *	3/2016	DiMino	D24/185
2001/0034530 A1 *	10/2001	Malackowski	A61B 34/20 606/130
2008/0255448 A1 *	10/2008	Zhu	A61B 8/00 600/437

* cited by examiner

Primary Examiner — Raphael Barkai

(74) *Attorney, Agent, or Firm* — Young & Thompson

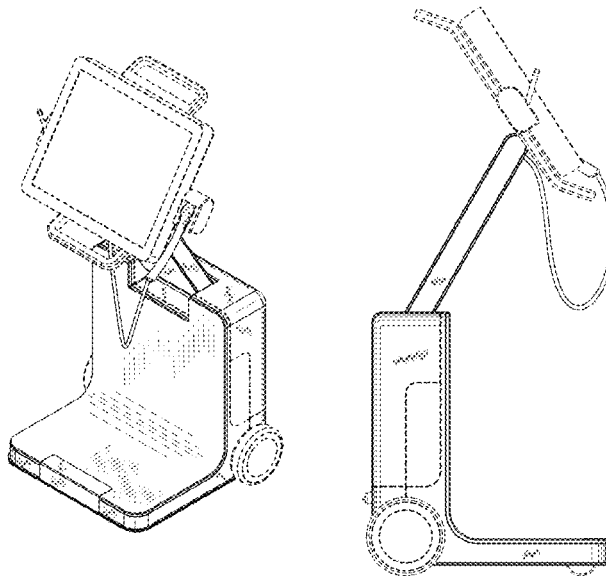
(57) **CLAIM**

The ornamental design for a medical image data recorder, as shown and described.

DESCRIPTION

FIG. 1 is a front, left side and top perspective view of a medical image data recorder showing the new design; FIG. 2 is a front elevation view thereof; FIG. 3 is a rear elevation view thereof; FIG. 4 is a right side elevation view thereof; FIG. 5 is a left side elevation view thereof; FIG. 6 is a top plan view thereof; and, FIG. 7 is a bottom plan view thereof. The portions of the design shown in broken lines show unclaimed subject matter.

1 Claim, 7 Drawing Sheets



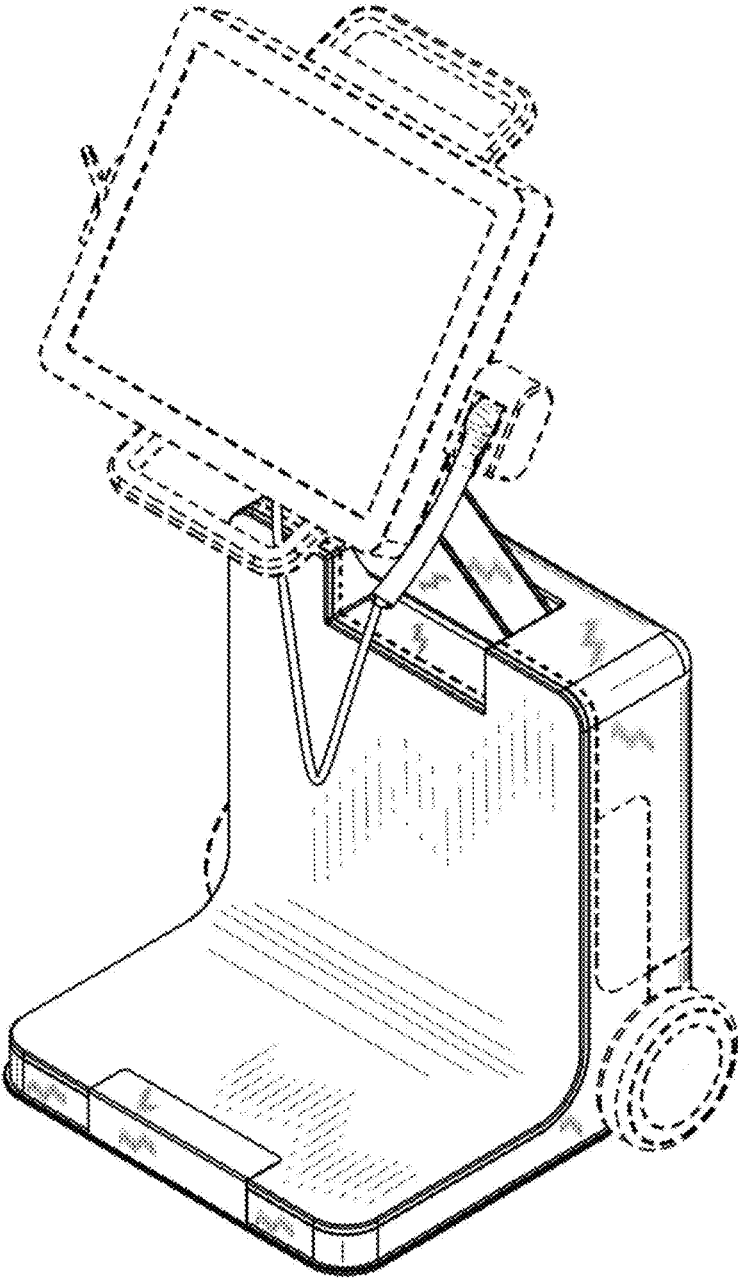


FIG.1

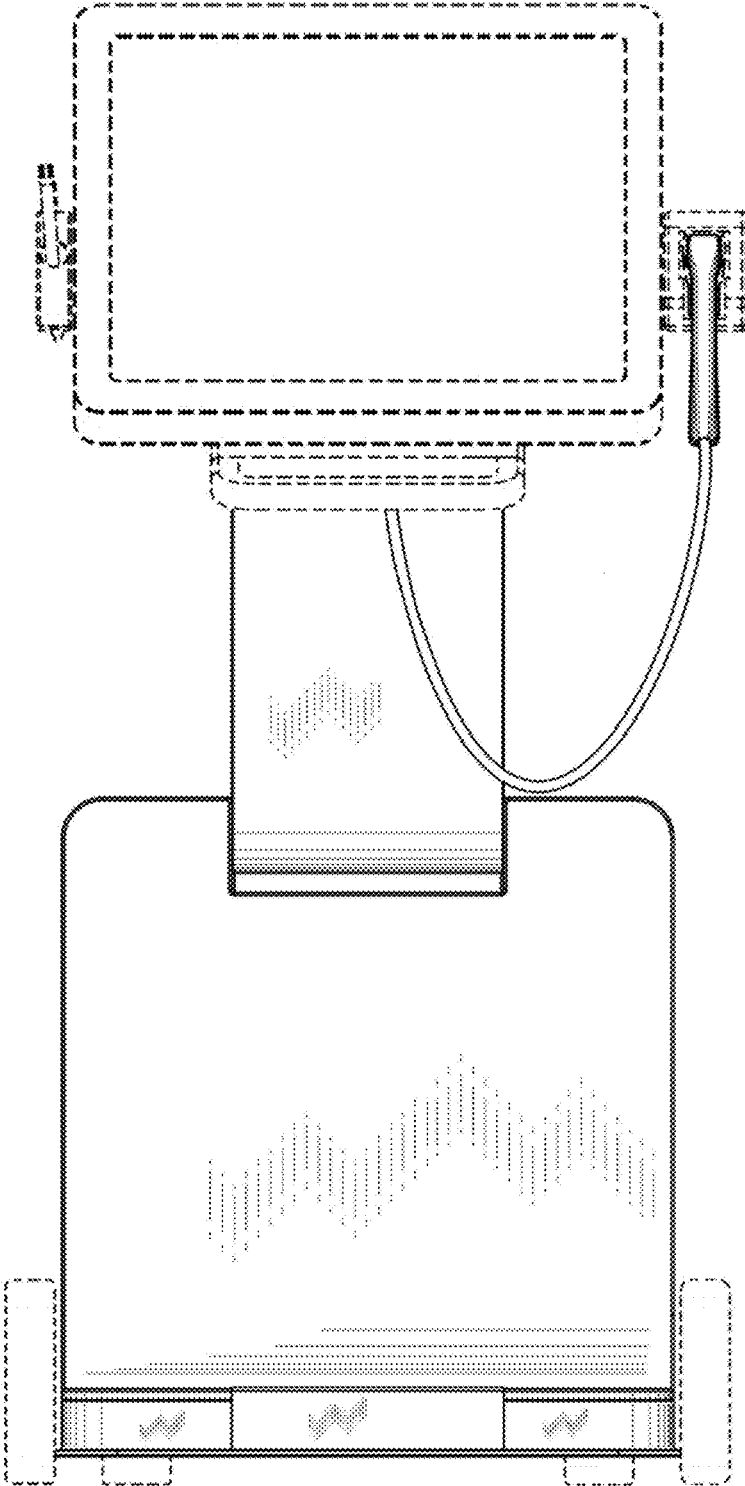


FIG. 2

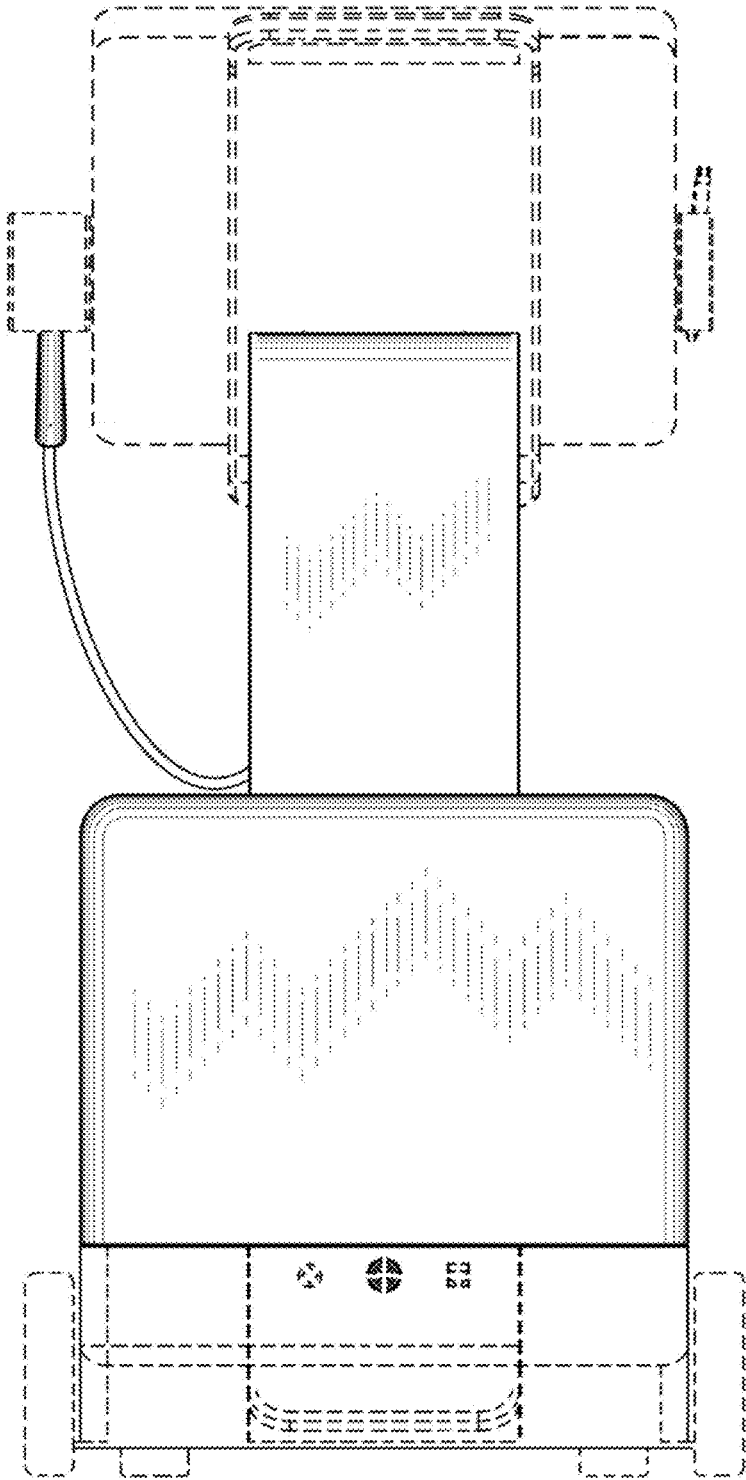


FIG.3

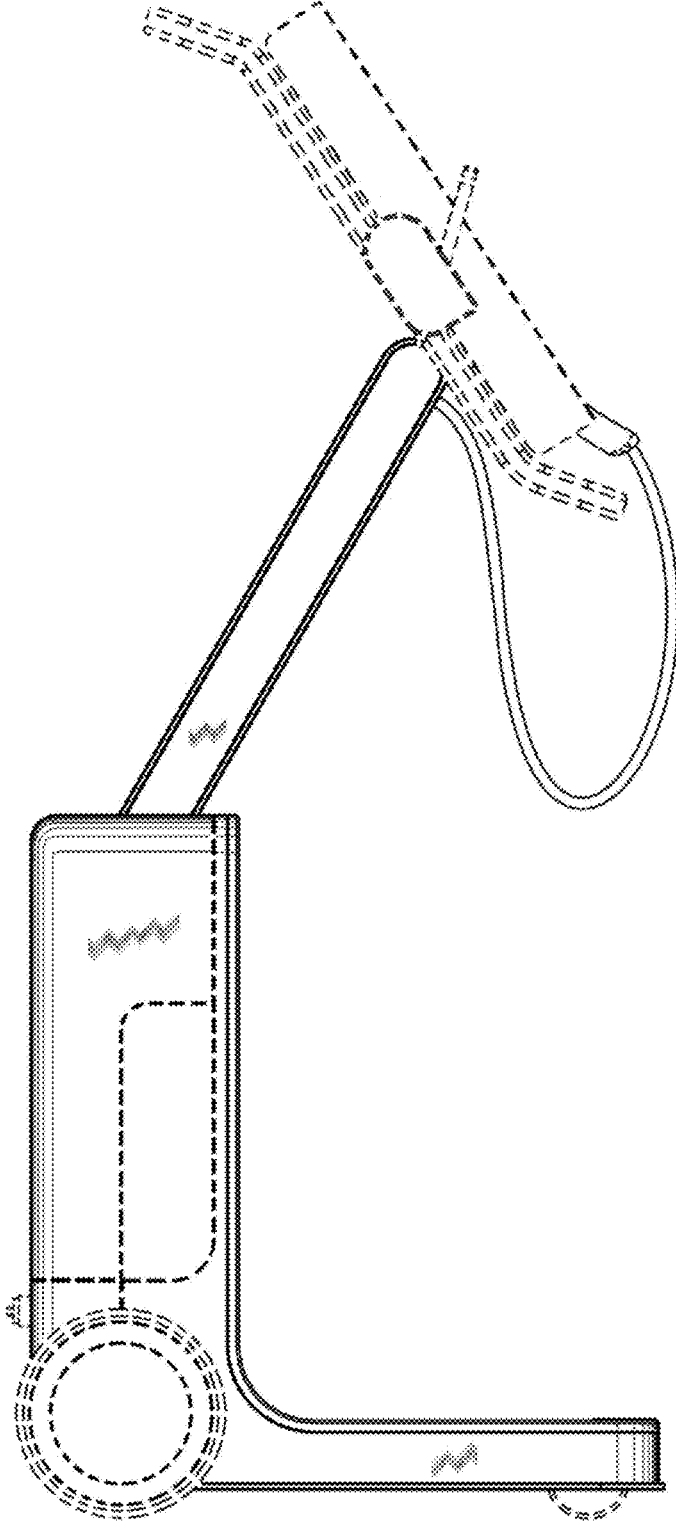


FIG.4

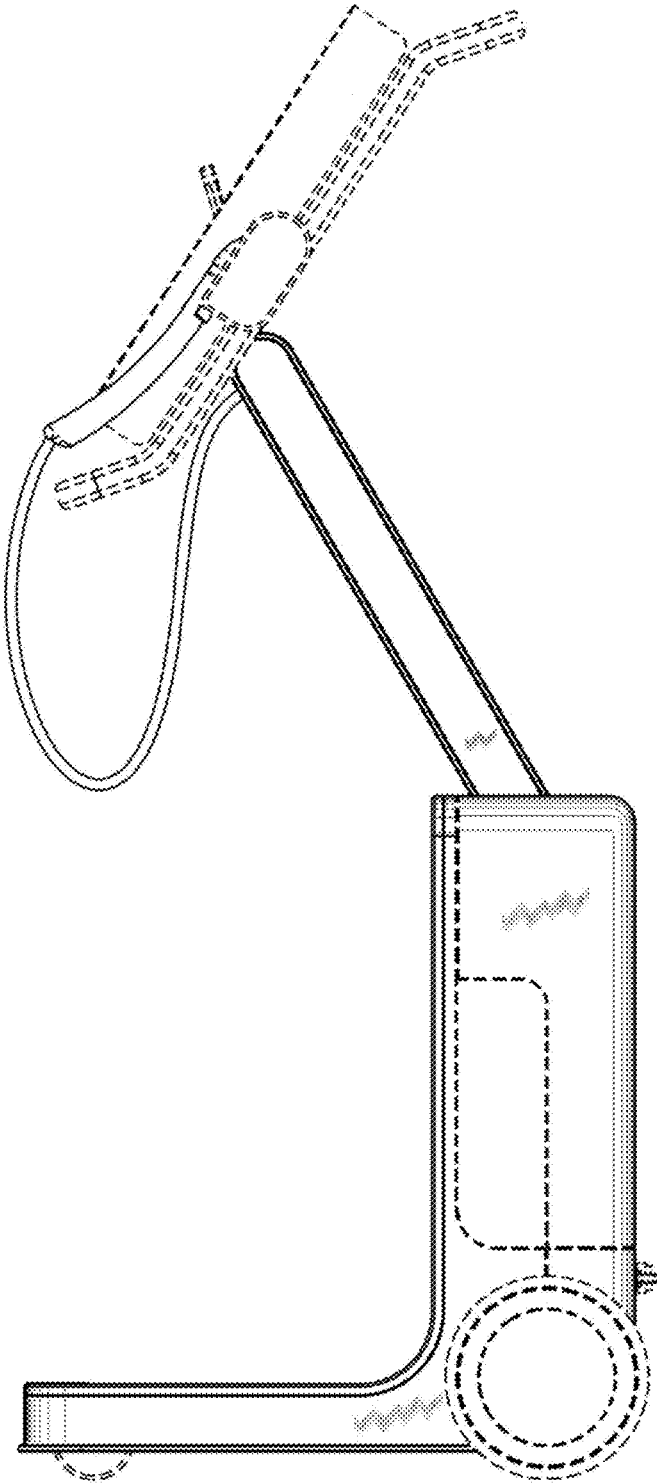


FIG.5

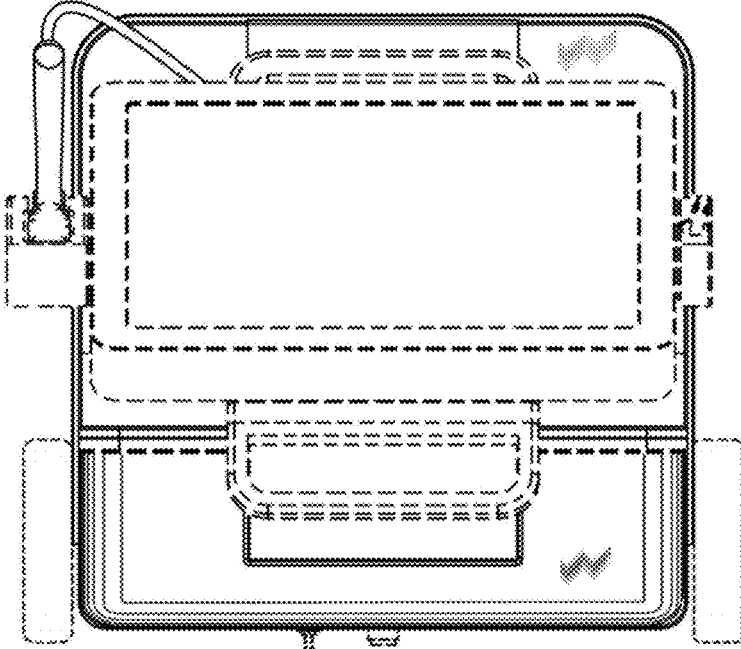


FIG.6

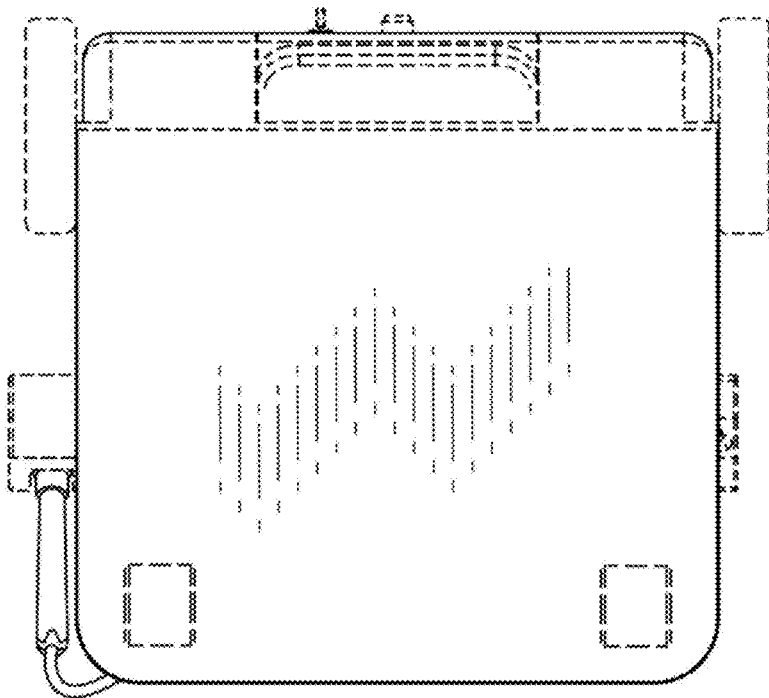


FIG.7