



US00D744649S

(12) **United States Design Patent**
Brannon

(10) **Patent No.:** **US D744,649 S**

(45) **Date of Patent:** **** *Dec. 1, 2015**

(54) **MEDICAL CORING DEVICE**

OTHER PUBLICATIONS

(71) Applicant: **James K Brannon**, Leawood, KS (US)

U.S. Appl. No. 10/928,553, filed Aug. 26, 2004, James Kevin Brannon.

(72) Inventor: **James K Brannon**, Leawood, KS (US)

(Continued)

(*) Notice: This patent is subject to a terminal disclaimer.

Primary Examiner — Robert M Spear

Assistant Examiner — Marissa J Cash

(**) Term: **14 Years**

(74) *Attorney, Agent, or Firm* — Intellectual Property Center LLC; Arthur K. Shaffer

(21) Appl. No.: **29/497,368**

(22) Filed: **Jul. 23, 2014**

(57) **CLAIM**

The ornamental design for a medical coring device, as shown and described herein.

Related U.S. Application Data

(63) Continuation-in-part of application No. 29/490,140, filed on May 7, 2014.

DESCRIPTION

(51) **LOC (10) Cl.** **11-02**

(52) **U.S. Cl.**

USPC **D24/146**

(58) **Field of Classification Search**

USPC D7/649; D8/93, 97, 300, 310, 311, 313;
D19/110, 115; D24/127, 130, 133,
D24/146, 147, 148

CPC B26B 3/00; B26B 1/10; B26B 5/005;
A61B 17/809; A61B 17/1617; A61B 17/3211;
A61B 5/1411; A61B 17/3417

See application file for complete search history.

FIG. 1 is a right side perspective view of a coring device in accordance with the present invention; FIG. 2 is a front elevation thereof; FIG. 3 is a right side elevation thereof; FIG. 4 is a left side elevation view thereof; FIG. 5 is a top plan view thereof; FIG. 6 is a bottom plan view thereof; FIG. 7 is a right side perspective of an alternative embodiment of the coring device in accordance with the present invention; FIG. 8 is a front elevation of the embodiment depicted in FIG. 7; FIG. 9 is a right side elevation of the embodiment depicted in FIG. 7; FIG. 10 is a left side elevation of the embodiment depicted in FIG. 7; FIG. 11 is a top plan view of the embodiment depicted in FIG. 7; and, FIG. 12 is a bottom plan view of the embodiment depicted in FIG. 7.

The medical coring device is shown with a symbolic break in its length. The appearance of any portion of the article between the break lines forms no part of the claimed design.

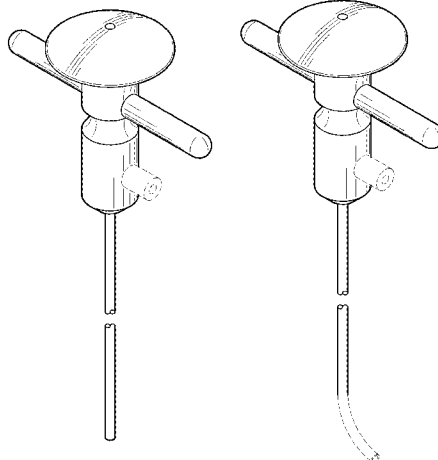
(56) **References Cited**

U.S. PATENT DOCUMENTS

D288,360	S	*	2/1987	Collis, Jr.	D24/147
D295,318	S	*	4/1988	Gazale	D24/147
D300,243	S	*	3/1989	Lee	D24/147
5,352,206	A	*	10/1994	Cushieri et al.	604/170.01
D429,331	S	*	8/2000	Koros et al.	D24/135
6,224,604	B1	*	5/2001	Suddaby	606/80
D692,133	S	*	10/2013	Steinwachs et al.	D24/146
2005/0049624	A1	*	3/2005	Francese et al.	606/185
2005/0234496	A1	*	10/2005	Wells et al.	606/185
2006/0235392	A1	*	10/2006	Hammer et al.	606/61

(Continued)

1 Claim, 6 Drawing Sheets



(56)

References Cited

U.S. PATENT DOCUMENTS

2007/0167968	A1 *	7/2007	Pandey	606/185
2011/0196425	A1 *	8/2011	Rezach et al.	606/278
2014/0276842	A1 *	9/2014	Chernosky et al.	606/80

OTHER PUBLICATIONS

U.S. Appl. No. 11/970,246, filed Jan. 7, 2008, James K. Brannon.
 U.S. Appl. No. 12/369,388, filed Feb. 11, 2009, James K. Brannon.
 U.S. Appl. No. 12/181,205, filed Jul. 28, 2008, James K. Brannon.
 U.S. Appl. No. 12/369,575, filed Feb. 11, 2009, James K. Brannon.
 U.S. Appl. No. 12/706,706, filed Feb. 6, 2010, James K. Brannon.
 U.S. Appl. No. 13/361,823, filed Jan. 30, 2012, James K. Brannon.
 U.S. Appl. No. 61/170,508, filed Apr. 17, 2009, James K. Brannon.
 U.S. Appl. No. 61/253,068, filed Oct. 20, 2009, James K. Brannon.
 U.S. Appl. No. 61/218,757, filed Jun. 19, 2009, James K. Brannon.
 U.S. Appl. No. 29/340,631, filed Jul. 22, 2009, James K. Brannon.
 U.S. Appl. No. 61/266,908, filed Dec. 4, 2009, James K. Brannon.
 U.S. Appl. No. 61/266,900, filed Dec. 4, 2009, James K. Brannon.
 U.S. Appl. No. 61/303,496, filed Feb. 11, 2010, James K. Brannon.
 U.S. Appl. No. 61/303,508, filed Feb. 11, 2010, James K. Brannon.
 U.S. Appl. No. 61/309,732, filed Mar. 2, 2010, James K. Brannon.
 U.S. Appl. No. 61/319,166, filed Mar. 30, 2010, James K. Brannon.
 U.S. Appl. No. 61/325,084, filed Apr. 16, 2010, James K. Brannon.
 U.S. Appl. No. 61/325,102, filed Apr. 16, 2010, James K. Brannon.

U.S. Appl. No. 12/763,213, filed Apr. 20, 2010, James K. Brannon.
 U.S. Appl. No. 12/820,133, filed Jun. 21, 2010, James K. Brannon.
 U.S. Appl. No. 12/908,879, filed Oct. 21, 2010, James K. Brannon.
 U.S. Appl. No. 12/961,487, filed Dec. 6, 2010, James K. Brannon.
 U.S. Appl. No. 12/961,491, filed Dec. 6, 2010, James K. Brannon.
 U.S. Appl. No. 12/986,064, filed Jan. 6, 2011, James K. Brannon.
 U.S. Appl. No. 61/443,655, filed Feb. 16, 2011, James K. Brannon.
 U.S. Appl. No. 61/444,025, filed Feb. 17, 2011, James K. Brannon.
 U.S. Appl. No. 61/444,315, filed Feb. 18, 2011, James K. Brannon.
 U.S. Appl. No. 61/645,327, filed May 23, 2012, James K. Brannon.
 U.S. Appl. No. 29/398,708, filed Aug. 3, 2011, James K. Brannon.
 U.S. Appl. No. 13/444,559, filed Apr. 11, 2012, James K. Brannon.
 U.S. Appl. No. 13/039,191, filed Mar. 2, 2011, James K. Brannon.
 U.S. Appl. No. 13/076,408, filed Mar. 30, 2011, James K. Brannon.
 U.S. Appl. No. 13/089,306, filed Apr. 4, 18, 2011, James K. Brannon.
 U.S. Appl. No. 13/197,476, filed Aug. 3, 2011, James K. Brannon.
 U.S. Appl. No. 29/445,846, filed Feb. 18, 2013, James K. Brannon.
 U.S. Appl. No. 13/838,330, filed Mar. 15, 2013, James K. Brannon.
 U.S. Appl. No. 29/449,726, filed Mar. 15, 2013, James K. Brannon.
 U.S. Appl. No. 13/844,852, filed Mar. 15, 2013, James K. Brannon.
 U.S. Appl. No. 29/449,929, filed Mar. 15, 2013, James K. Brannon.
 U.S. Appl. No. 29/450,070, filed Mar. 15, 2013, James K. Brannon.
 U.S. Appl. No. 61/839,152, filed Jun. 25, 2013, James K. Brannon.
 U.S. Appl. No. 13/944,696, filed Jul. 17, 2013, James K. Brannon.
 U.S. Appl. No. 61/891,836, filed Oct. 16, 2013, James K. Brannon.

* cited by examiner

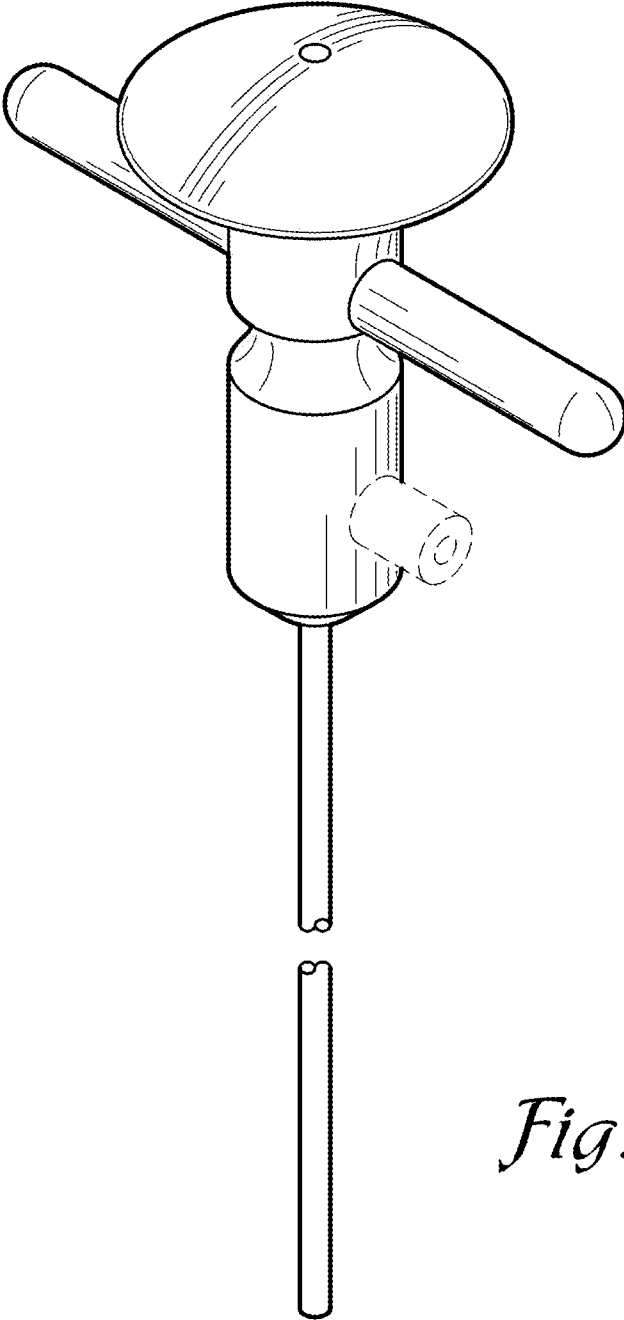
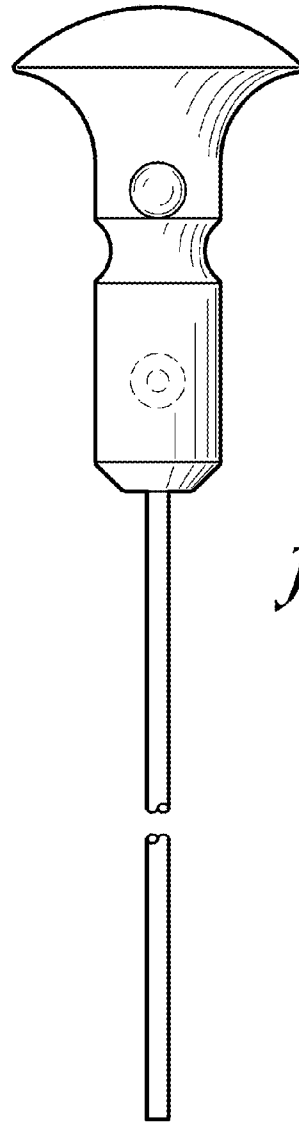
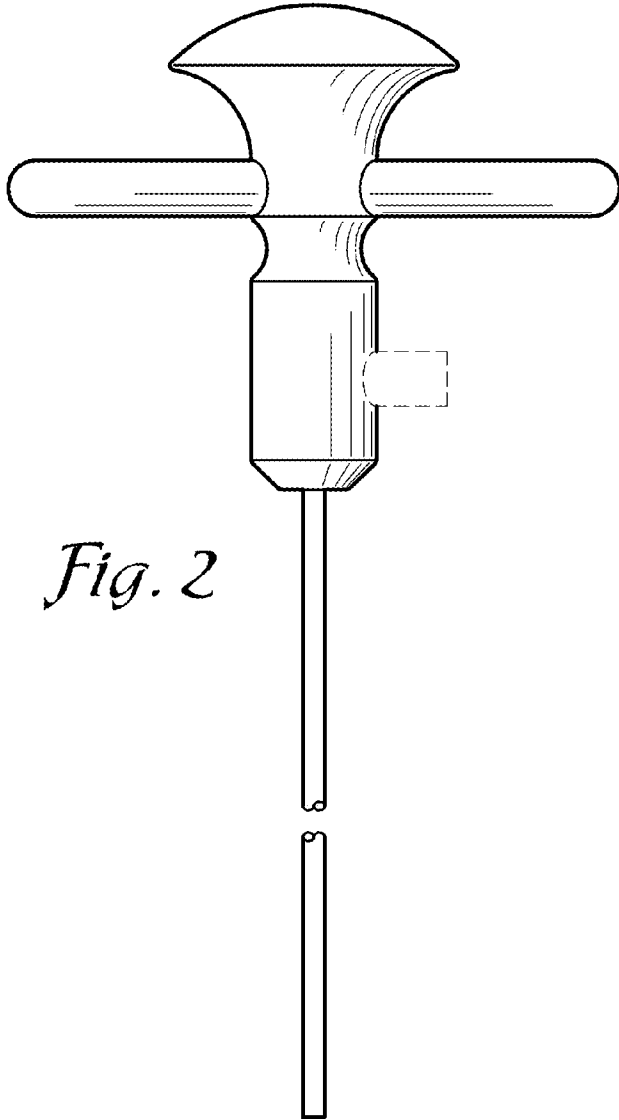


Fig. 1



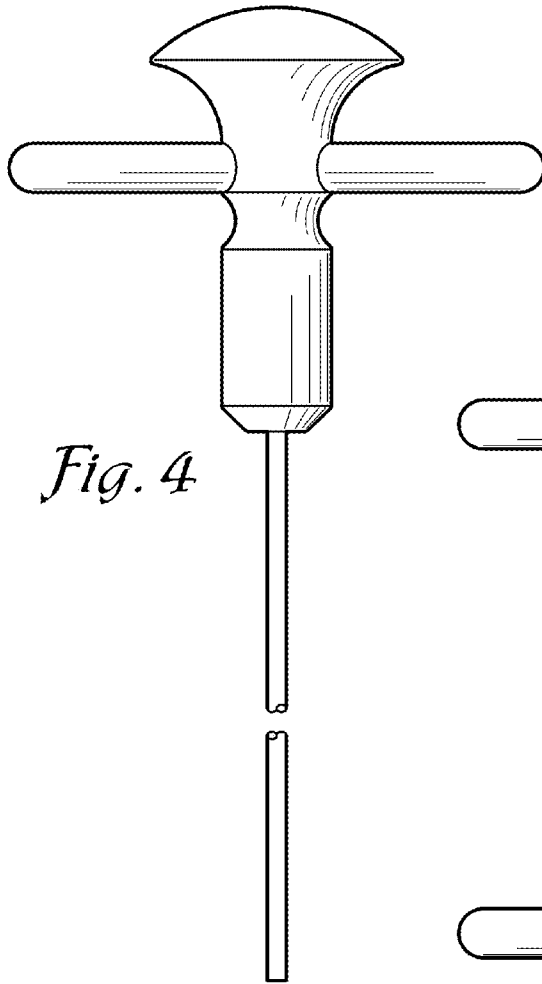


Fig. 4

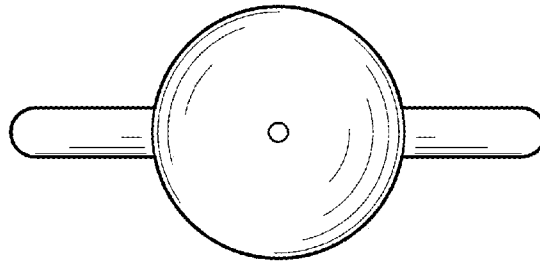


Fig. 5

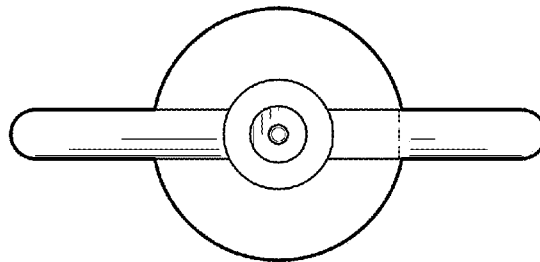


Fig. 6

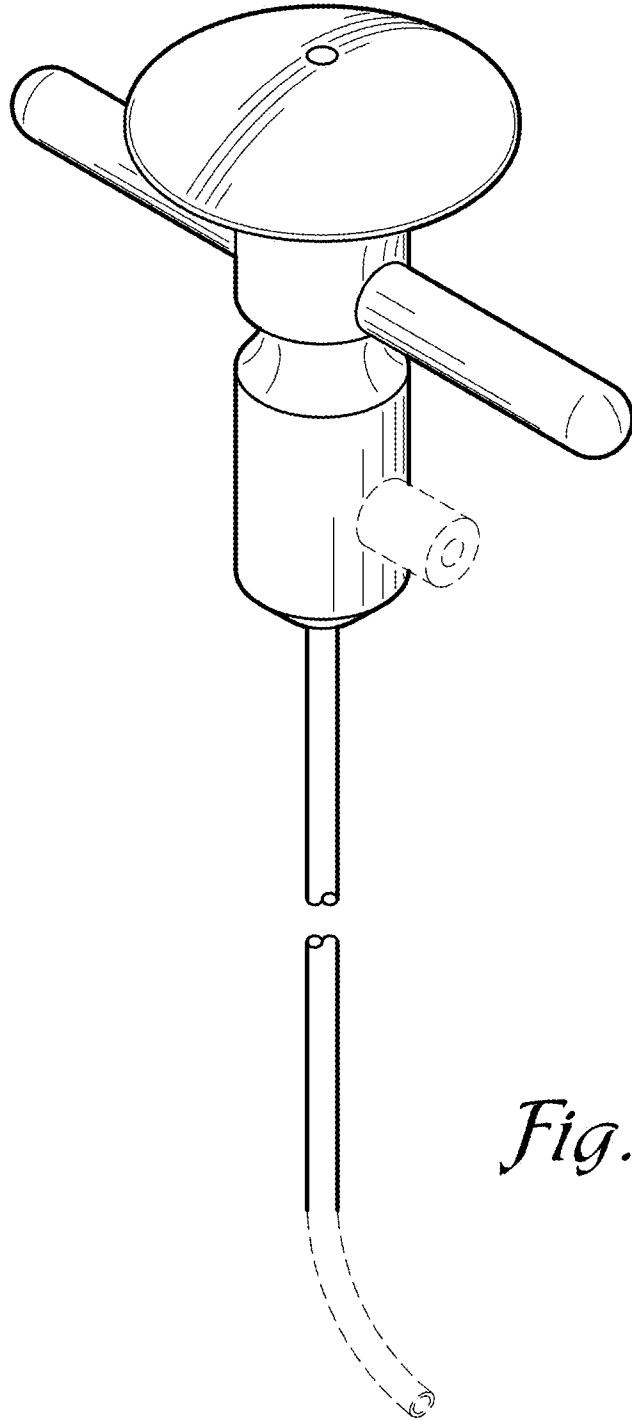


Fig. 7

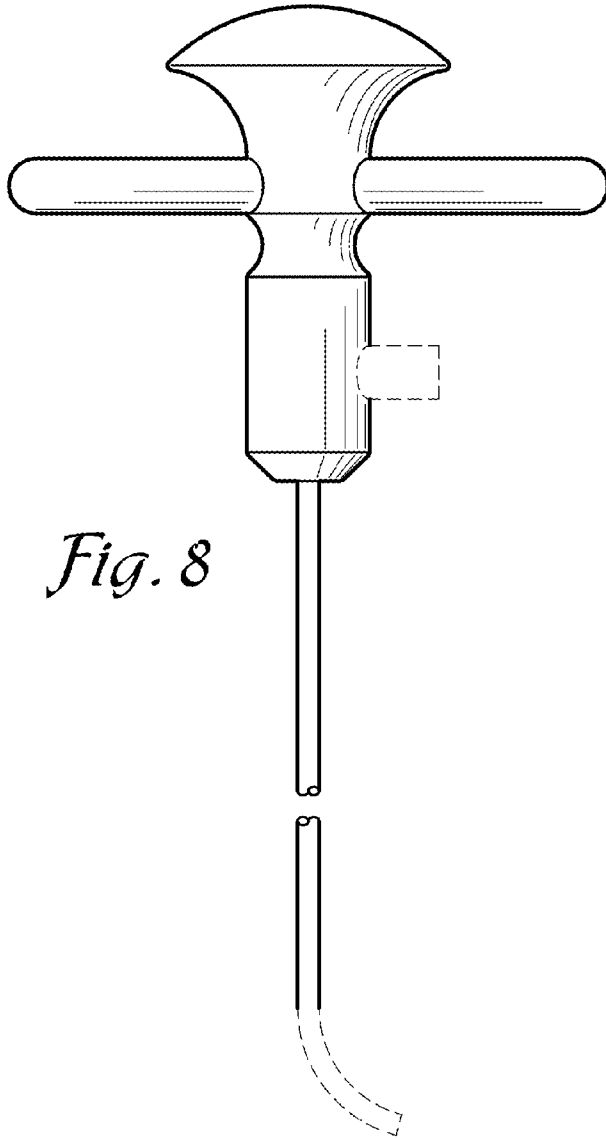


Fig. 8

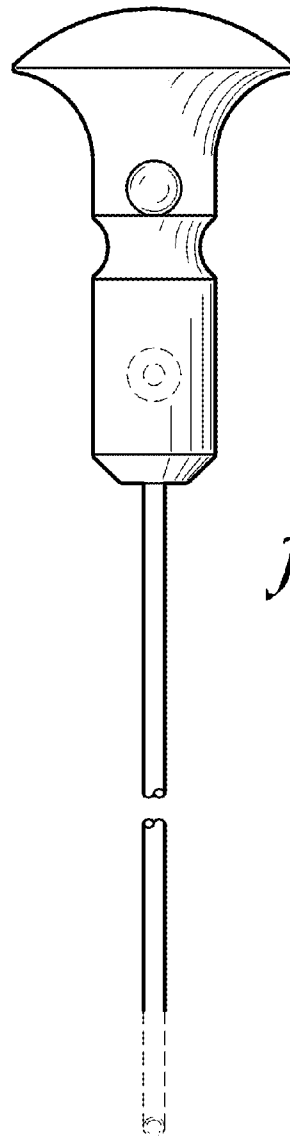


Fig. 9

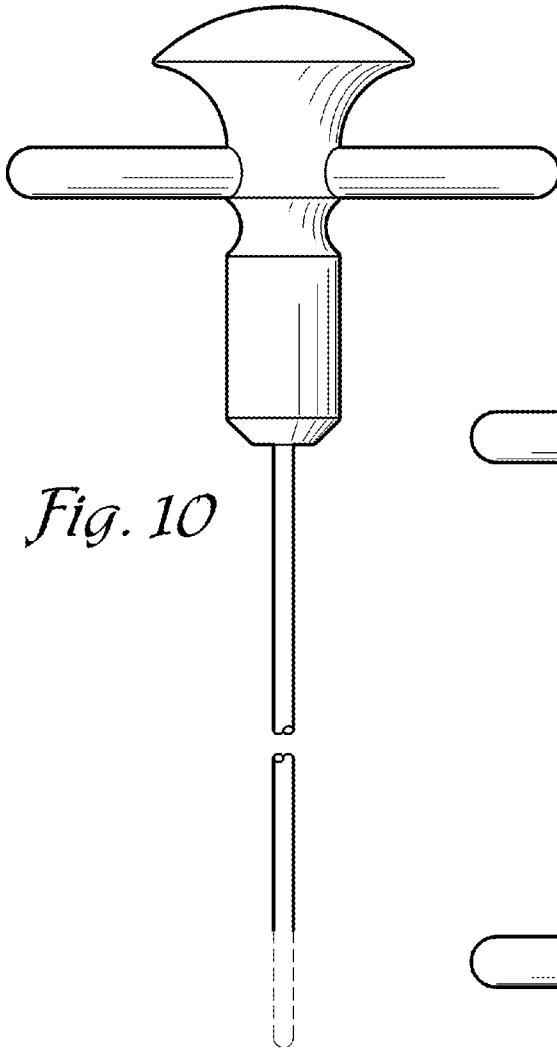


Fig. 10

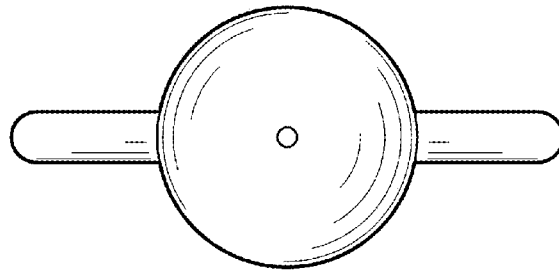


Fig. 11

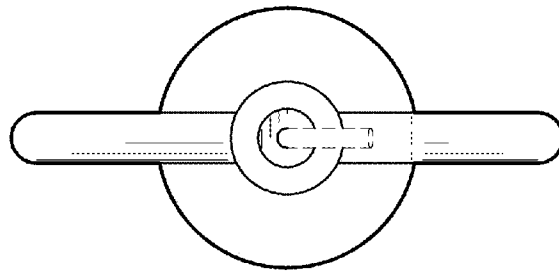


Fig. 12