



(51) International Patent Classification:

B27K 3/36 (2006.01) *B27K 5/06* (2006.01)
B27K 5/00 (2006.01) *B27K 3/02* (2006.01)
B27K 3/34 (2006.01) *B27K 3/50* (2006.01)

(21) International Application Number:

PCT/ZA2014/000077

(22) International Filing Date:

15 December 2014 (15.12.2014)

(25) Filing Language:

English

(26) Publication Language:

English

(30) Priority Data:

2013/09431 17 December 2013 (17.12.2013) ZA

(71) Applicant: **RHINO MODIFIED WOOD (PTY) LIMITED** [ZA/ZA]; 112 All black Road, Boksburg North, 1459 Boksburg (ZA).

(72) Inventors: **PRIOR, Stuart**; c/o All Black Road, Boksburg North, 1459 Boksburg (ZA). **SARGENT, Scott**; c/o All Black Road, Boksburg North, 1459 Boksburg (ZA).

(74) Agents: **MCCALLUM RADEMEYER & FREIMOND** et al.; P.O. Box 1130 390 Kent Avenue, Ferndale, 2125 Randburg (ZA).

(81) Designated States (unless otherwise indicated, for every kind of national protection available): AE, AG, AL, AM, AO, AT, AU, AZ, BA, BB, BG, BH, BN, BR, BW, BY, BZ, CA, CH, CL, CN, CO, CR, CU, CZ, DE, DK, DM, DO, DZ, EC, EE, EG, ES, FI, GB, GD, GE, GH, GM, GT, HN, HR, HU, ID, IL, IN, IR, IS, JP, KE, KG, KN, KP, KR, KZ, LA, LC, LK, LR, LS, LU, LY, MA, MD, ME, MG, MK, MN, MW, MX, MY, MZ, NA, NG, NI, NO, NZ, OM, PA, PE, PG, PH, PL, PT, QA, RO, RS, RU, RW, SA, SC, SD, SE, SG, SK, SL, SM, ST, SV, SY, TH, TJ, TM, TN, TR, TT, TZ, UA, UG, US, UZ, VC, VN, ZA, ZM, ZW.

(84) Designated States (unless otherwise indicated, for every kind of regional protection available): ARIPO (BW, GH, GM, KE, LR, LS, MW, MZ, NA, RW, SD, SL, ST, SZ, TZ, UG, ZM, ZW), Eurasian (AM, AZ, BY, KG, KZ, RU, TJ, TM), European (AL, AT, BE, BG, CH, CY, CZ, DE, DK, EE, ES, FI, FR, GB, GR, HR, HU, IE, IS, IT, LT, LU, LV, MC, MK, MT, NL, NO, PL, PT, RO, RS, SE, SI, SK, SM, TR), OAPI (BF, BJ, CF, CG, CI, CM, GA, GN, GQ, GW, KM, ML, MR, NE, SN, TD, TG).

Published:

- with international search report (Art. 21(3))
- before the expiration of the time limit for amending the claims and to be republished in the event of receipt of amendments (Rule 48.2(h))

[Continued on next page]

(54) Title: TIMBER TREATMENT PROCESS

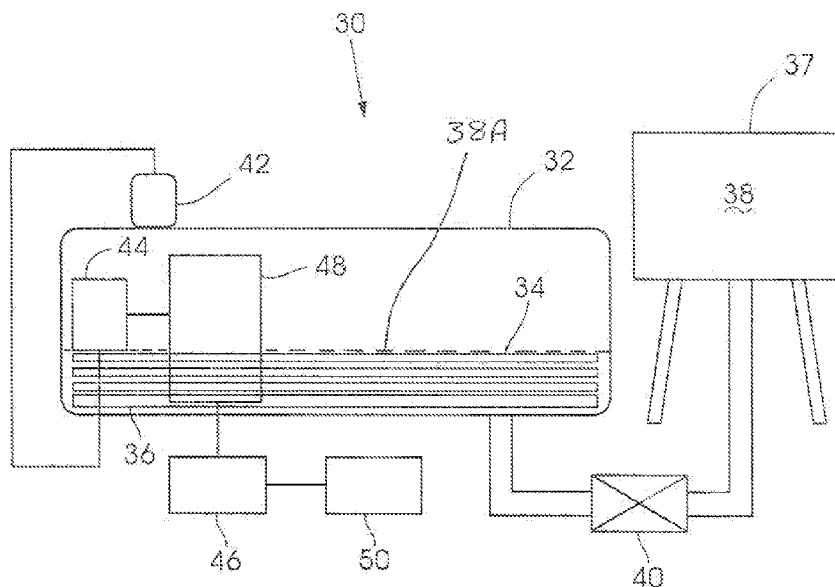


FIGURE 2

(57) Abstract: A method of producing a modified wood product which includes the steps of sourcing a quantity of timber which has a moisture content in the range of 12% to 20%: subjecting the timber to a first stage in which the timber is heat treated; and subjecting the timber to a second stage in which the timber is impregnated with a protective wax-based composition which has a melting point in excess of 100°C.



(88) Date of publication of the international search report:
30 June 2016

INTERNATIONAL SEARCH REPORT

International application No
PCT/ZA2014/000077

A. CLASSIFICATION OF SUBJECT MATTER
 INV. B27K3/36 B27K5/00 B27K3/34 B27K5/06 B27K3/02
 B27K3/50
 ADD.
 According to International Patent Classification (IPC) or to both national classification and IPC

B. FIELDS SEARCHED
 Minimum documentation searched (classification system followed by classification symbols)
 B27K

Documentation searched other than minimum documentation to the extent that such documents are included in the fields searched

Electronic data base consulted during the international search (name of data base and, where practicable, search terms used)
 EPO-Internal, WPI Data

C. DOCUMENTS CONSIDERED TO BE RELEVANT

| Category* | Citation of document, with indication, where appropriate, of the relevant passages | Relevant to claim No. |
|-----------|---|-----------------------|
| X | WO 2005/007369 A1 (FROEHNER JUERGEN [DE]; BURGER HANS-JOACHIM [DE]; FROENER REINHARD [DE]) 27 January 2005 (2005-01-27) | 1,2,4, 7-22 |
| Y | page 2, line 9 - page 3, line 4 page 9, lines 21-23 page 5, line 15 | 3,5,6 |
| Y | US 4 377 040 A (GIEBELER EBERHARD [DE] ET AL) 22 March 1983 (1983-03-22) column 1, line 66 - column 2, line 17 | 3,5,6 |

Further documents are listed in the continuation of Box C.

See patent family annex.

* Special categories of cited documents :

- "A" document defining the general state of the art which is not considered to be of particular relevance
- "E" earlier application or patent but published on or after the international filing date
- "L" document which may throw doubts on priority claim(s) or which is cited to establish the publication date of another citation or other special reason (as specified)
- "O" document referring to an oral disclosure, use, exhibition or other means
- "P" document published prior to the international filing date but later than the priority date claimed

- "T" later document published after the international filing date or priority date and not in conflict with the application but cited to understand the principle or theory underlying the invention
- "X" document of particular relevance; the claimed invention cannot be considered novel or cannot be considered to involve an inventive step when the document is taken alone
- "Y" document of particular relevance; the claimed invention cannot be considered to involve an inventive step when the document is combined with one or more other such documents, such combination being obvious to a person skilled in the art
- "&" document member of the same patent family

Date of the actual completion of the international search

10 May 2016

Date of mailing of the international search report

19/05/2016

Name and mailing address of the ISA/
 European Patent Office, P.B. 5818 Patentlaan 2
 NL - 2280 HV Rijswijk
 Tel. (+31-70) 340-2040,
 Fax: (+31-70) 340-3016

Authorized officer

Bjola, Bogdan

INTERNATIONAL SEARCH REPORT

Information on patent family members

International application No

PCT/ZA2014/000077

| Patent document cited in search report | Publication date | Patent family member(s) | Publication date |
|--|------------------|-------------------------|------------------|
| WO 2005007369 | A1 | 27-01-2005 | |
| | | DE 20310745 U1 | 02-10-2003 |
| | | EP 1646483 A1 | 19-04-2006 |
| | | WO 2005007369 A1 | 27-01-2005 |
| ----- | | | |
| US 4377040 | A | 22-03-1983 | |
| | | CA 1133205 A | 12-10-1982 |
| | | DE 2916677 A1 | 06-11-1980 |
| | | EP 0018446 A1 | 12-11-1980 |
| | | FI 801332 A | 26-10-1980 |
| | | NO 801193 A | 27-10-1980 |
| | | US 4377040 A | 22-03-1983 |
| | | YU 111880 A | 28-02-1983 |
| ----- | | | |