

212,808

## MAGNIFYING LENS BADGE HOLDER

Kenneth F. Knowles, Cove Road,  
Oyster Bay, N.Y. 11771

Filed Dec. 27, 1967, Ser. No. 9,935

Term of patent 14 years

(Cl. D29—2)

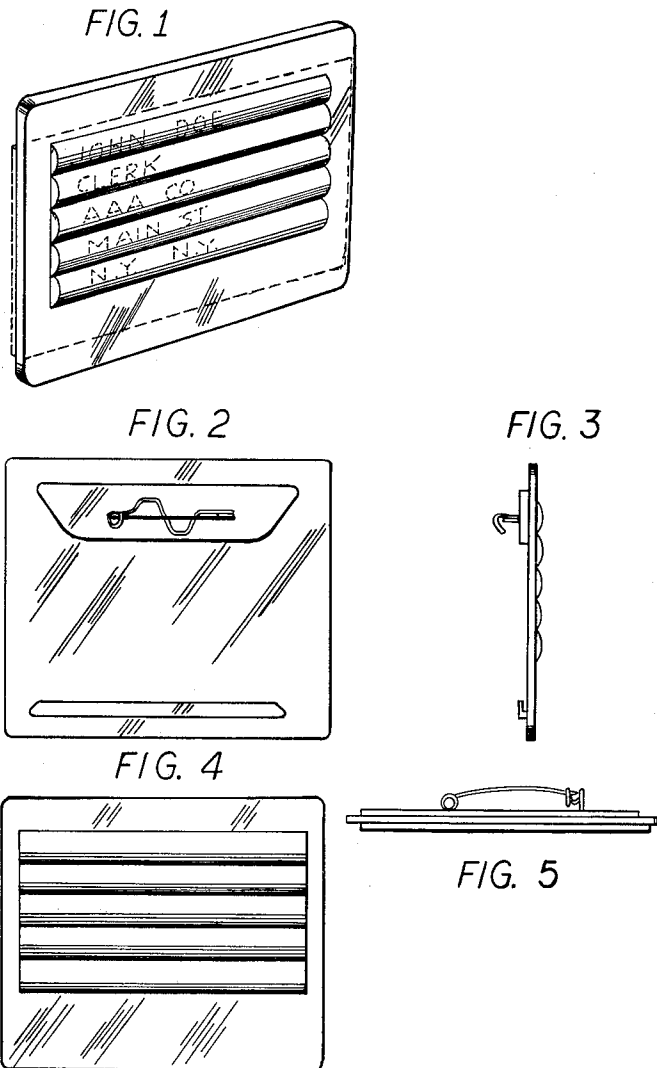


FIG. 1 is a front perspective view of a magnifying lens badge holder, showing my new design, the broken lines showing of the card being merely for illustrative purposes;

FIG. 2 is a rear elevational view thereof as it appears without the card;

FIG. 3 is an end elevational view of the magnifying lens badge holder, as shown in FIG. 2.

I claim:

The ornamental design for a magnifying lens badge holder, substantially as shown and described.

### References Cited

#### UNITED STATES PATENTS

D. 130,123	10/1941	Grimes	-----	D29—2
D. 132,693	6/1942	Webb	-----	D29—2
1,824,161	9/1931	Lethert	-----	40—1.5
2,408,224	9/1946	Palmer	-----	
2,834,129	5/1958	Kirkbride	-----	40—1.5

EDWIN H. HUNTER, *Primary Examiner.*

L. J. PERLSTEIN, *Assistant Examiner.*

UNITED STATES PATENT OFFICE  
CERTIFICATE OF CORRECTION

Design No. 212,808

November 6, 1968

Kenneth E. Knowles

It is certified that error appears in the above identified patent and that said Letters Patent are hereby corrected as shown below:

In the grant, lines 1 and 13, and in the heading to the drawing and printed specification, line 3, "Kenneth F. Knowles", each occurrence, should read -- Kenneth E. Knowles --.

Signed and sealed this 10th day of March 1970.

(SEAL)

Attest:

Edward M. Fletcher, Jr.

Attesting Officer

WILLIAM E. SCHUYLER, JR.

Commissioner of Patents