



(12) **United States Design Patent**
Appling et al.

(10) **Patent No.:** **US D736,916 S**
(45) **Date of Patent:** **** Aug. 18, 2015**

(54) **DIALYSIS CATHETER TIP**
(75) Inventors: **William M. Appling**, Granville, NY
(US); **Brian F. Nentwick**, Greenfield
Center, NY (US)

(73) Assignee: **AngioDynamics, Inc.**, Latham, NY (US)
(**) Term: **14 Years**

(21) Appl. No.: **29/410,449**
(22) Filed: **Jan. 9, 2012**

(51) **LOC (10) Cl.** **24-02**
(52) **U.S. Cl.**
USPC **D24/130**
(58) **Field of Classification Search**
USPC 604/544, 6.16, 164.08, 164.01, 523;
206/213.1, 210, 364; D24/130, 112,
D24/129, 127, 122, 217
CPC A61M 25/00; A61M 25/0029; A61M
25/0015
See application file for complete search history.

(56) **References Cited**

U.S. PATENT DOCUMENTS

4,134,402	A	1/1979	Mahurkar	
4,568,329	A	2/1986	Mahurkar	
4,808,155	A	2/1989	Mahurkar	
5,053,023	A	10/1991	Martin	
5,167,623	A	12/1992	Cianci et al.	
5,374,245	A *	12/1994	Mahurkar	604/43
5,405,341	A	4/1995	Martin	
5,522,807	A	6/1996	Luther	
5,989,213	A	11/1999	Maginot	
6,280,423	B1	8/2001	Davey et al.	
6,409,700	B1	6/2002	Siegel, Jr. et al.	
6,991,625	B1	1/2006	Gately et al.	
7,066,925	B2	6/2006	Gately et al.	
D540,467	S *	4/2007	Mori	D24/130
D541,936	S	5/2007	Patterson	
7,393,339	B2	7/2008	Zawacki et al.	
D581,529	S *	11/2008	Moehle et al.	D24/130

7,556,612	B2	7/2009	Voorhees	
D603,044	S *	10/2009	Appling et al.	D24/130
7,717,898	B2	5/2010	Gately et al.	
D640,788	S *	6/2011	Appling	D24/130
D657,461	S *	4/2012	Schembre et al.	D24/130
8,323,227	B2 *	12/2012	Hamatake et al.	604/6.16
D690,009	S *	9/2013	Schembre et al.	D24/130
2005/0033264	A1 *	2/2005	Redinger	604/523

(Continued)

OTHER PUBLICATIONS

WWW.Medcompnet.com./Products/Long_Term/Titan_HD.
html#Brochures, "Titan HD Catheter", Printed Nov. 2010 from
website.

Primary Examiner — Ian Simmons
Assistant Examiner — Ieisha Price
(74) *Attorney, Agent, or Firm* — Ryan D. Artis

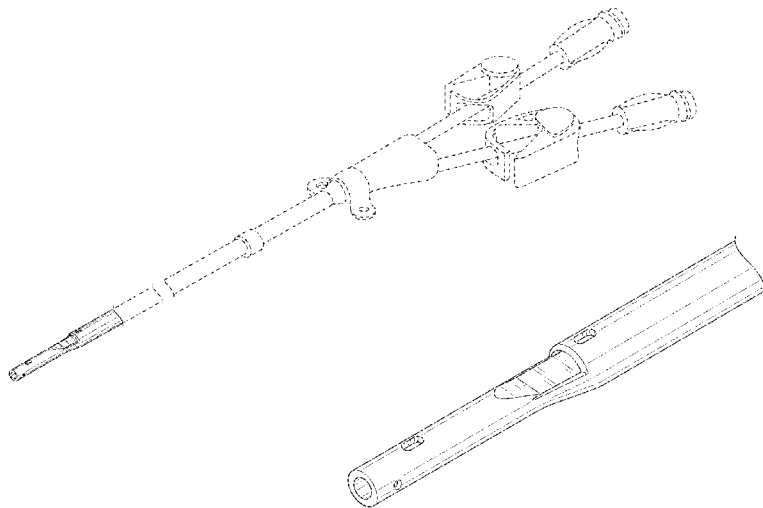
(57) **CLAIM**

The ornamental design for a dialysis catheter tip, substan-
tially as shown and described.

DESCRIPTION

FIG. 1 is a perspective view of a catheter tip.
FIG. 2 is an enlarged perspective view of the catheter tip
illustrated in FIG. 1.
FIG. 3 is an enlarged top plan view of the catheter tip illus-
trated in FIG. 1.
FIG. 4 is an enlarged side elevation view of the catheter tip
illustrated in FIG. 1.
FIG. 5 is an enlarged bottom plan view of the catheter tip
illustrated in FIG. 1; and,
FIG. 6 is an enlarged end view of the catheter tip illustrated in
FIG. 1.
The broken line showing of portions of the dialysis catheter
tip illustrates portions of the dialysis catheter tip which form
no part of the claimed design. The broken line showing of the
catheter illustrates the environment of the claimed design and
forms no part thereof.

1 Claim, 3 Drawing Sheets



US D736,916 S

Page 2

(56)

References Cited

U.S. PATENT DOCUMENTS

2006/0100572	A1	5/2006	DiMatteo et al.	2012/0065569	A1*	3/2012	Steeegers et al.	604/6.16
2010/0228178	A1	9/2010	McGraw	2013/0085438	A1*	4/2013	MacMeans et al.	604/6.16
2011/0213291	A1*	9/2011	Quinn	2013/0085477	A1*	4/2013	Deshpande	604/523
2011/0301522	A1*	12/2011	DeFonzo	2013/0324971	A1*	12/2013	Quinn	604/523
				2014/0012209	A1*	1/2014	Sansoucy	604/247

* cited by examiner

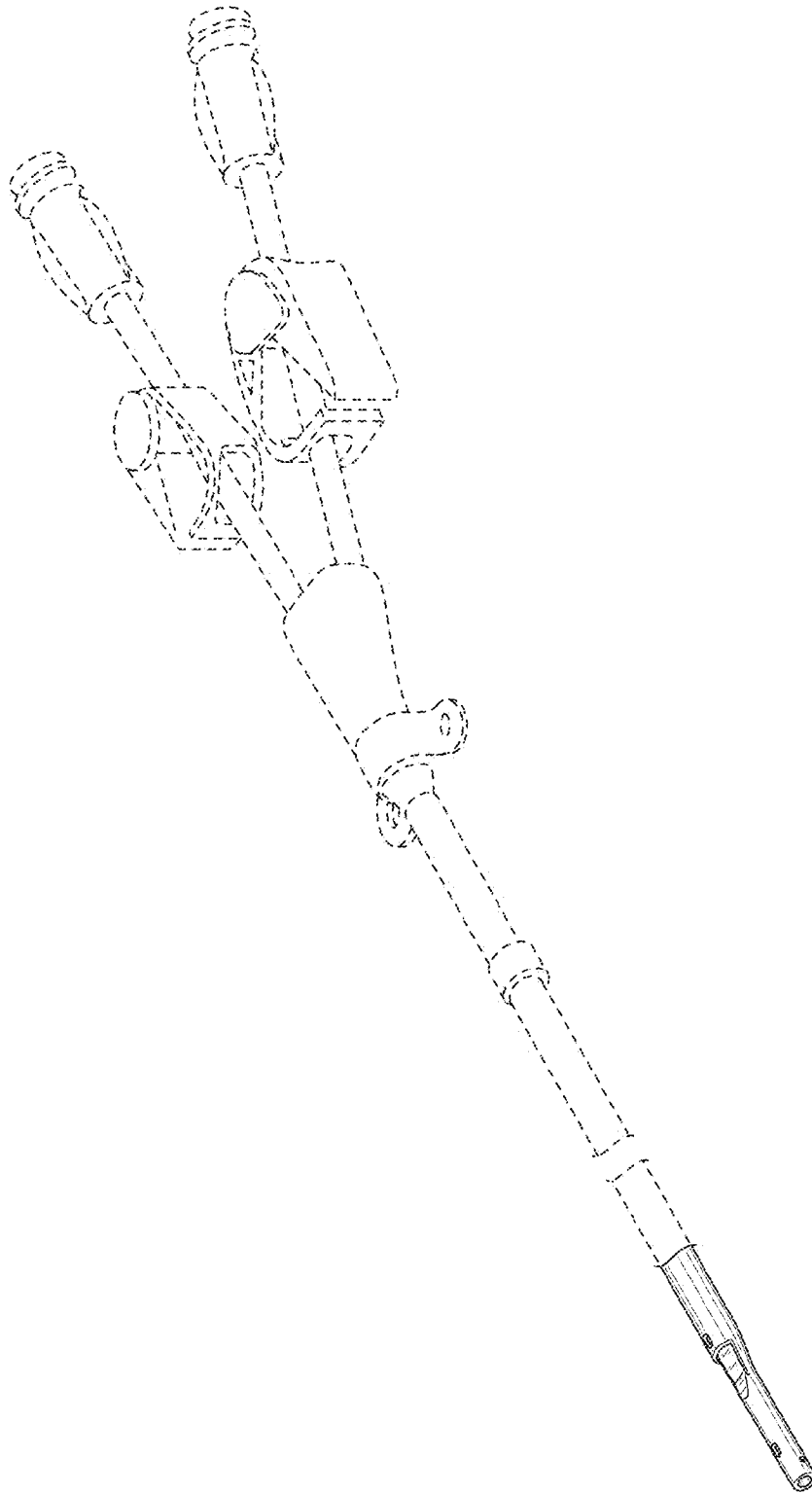


FIG. 1

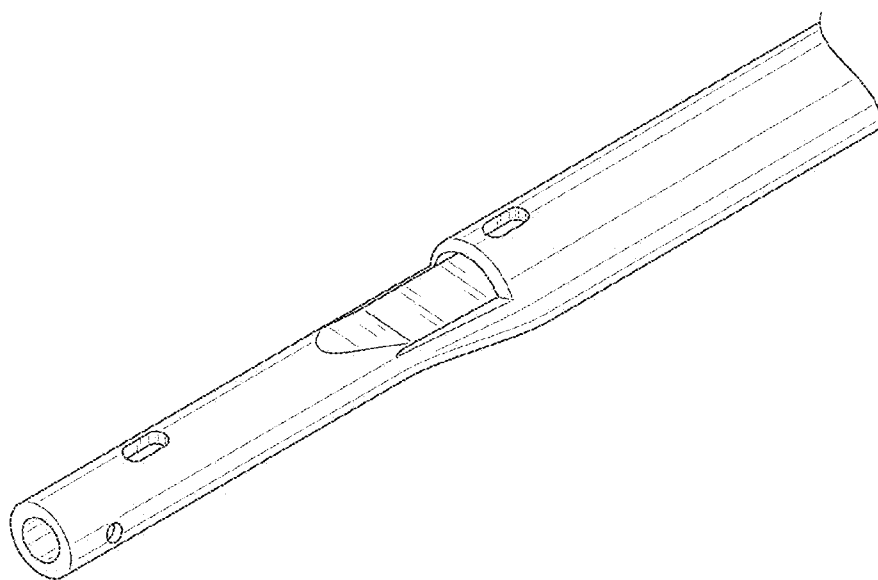


FIG. 2

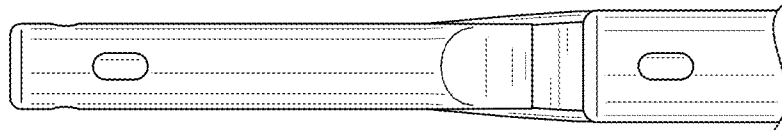


FIG. 3

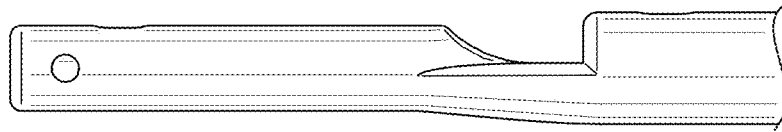


FIG. 4

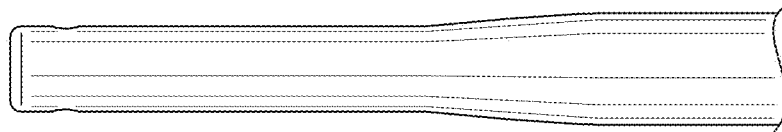


FIG. 5

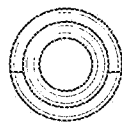


FIG. 6