

(12) PATENT APPLICATION
(19) AUSTRALIAN PATENT OFFICE

(11) Application No. AU 200151935 A1

(54) Title
Pokiemate

(51)⁷ International Patent Classification(s)
E05G 001/00

(21) Application No: **200151935**

(22) Application Date: **2001.06.18**

(30) Priority Data

(31) Number
PR2799

(32) Date
2001.01.31

(33) Country
AU

(43) Publication Date : **2002.08.01**

(43) Publication Journal Date : **2002.08.01**

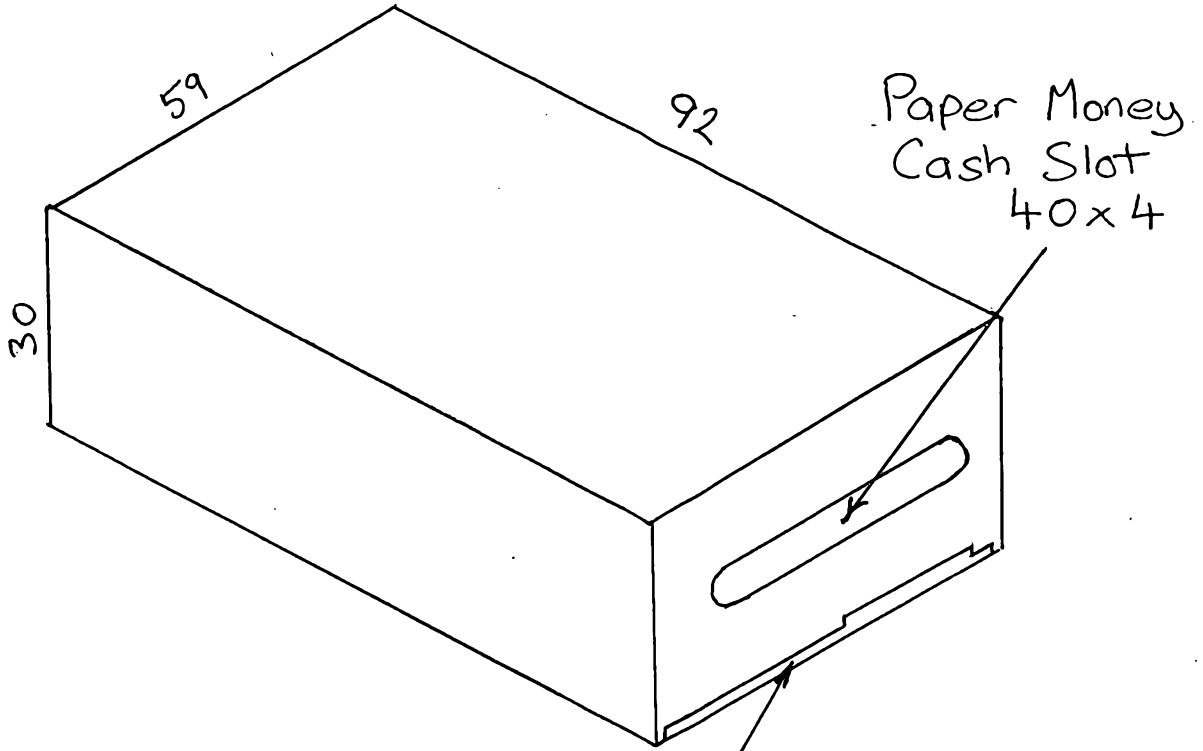
(71) Applicant(s)
Daryl Jenkins

(72) Inventor(s)
Daryl Jenkins

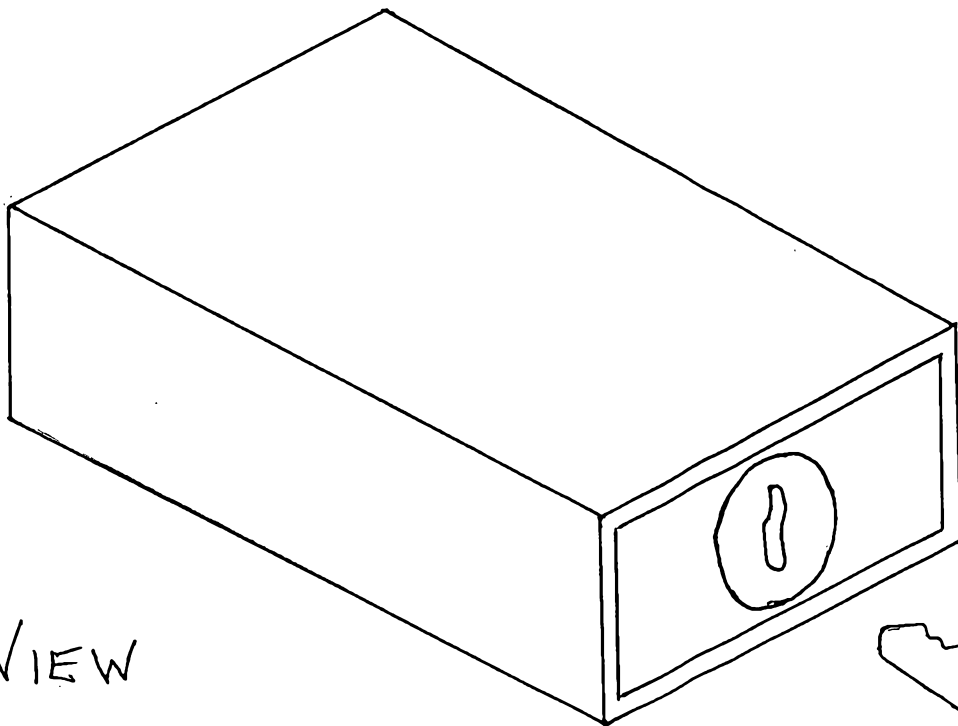
(74) Agent/Attorney
Daryl Jenkins,6 Hermitage Ave,Mount Clear Victoria 3350,Australia

**THE ABSTRACT IS ON THE FOLLOWING
PAGE(S).**

FRONT VIEW

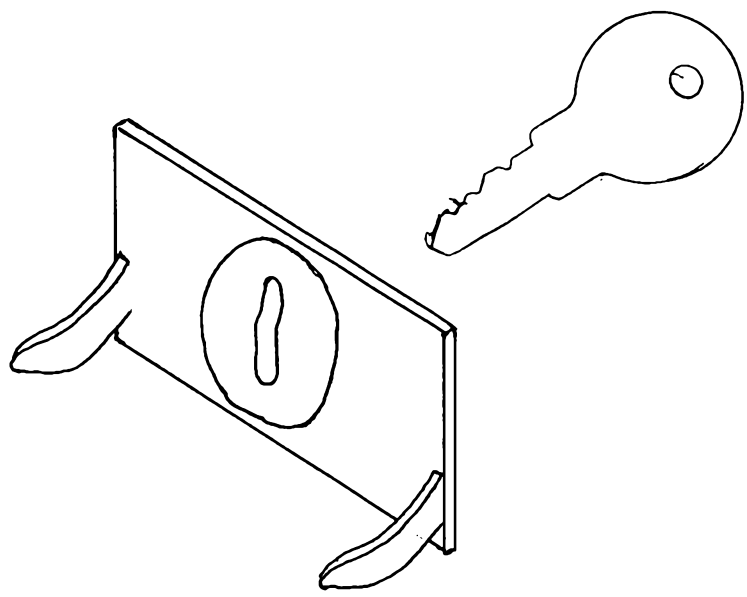


Bank/Credit Card Slot
w-Raised Number Recess 54x07

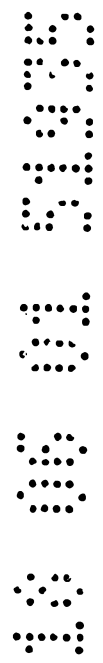


Recessed Door
w-Keyed Entry

BRITISH
STANDARD
BS
6841
PART 1
1986



Recessed Door Showing
Bank/Credit Card Clips.

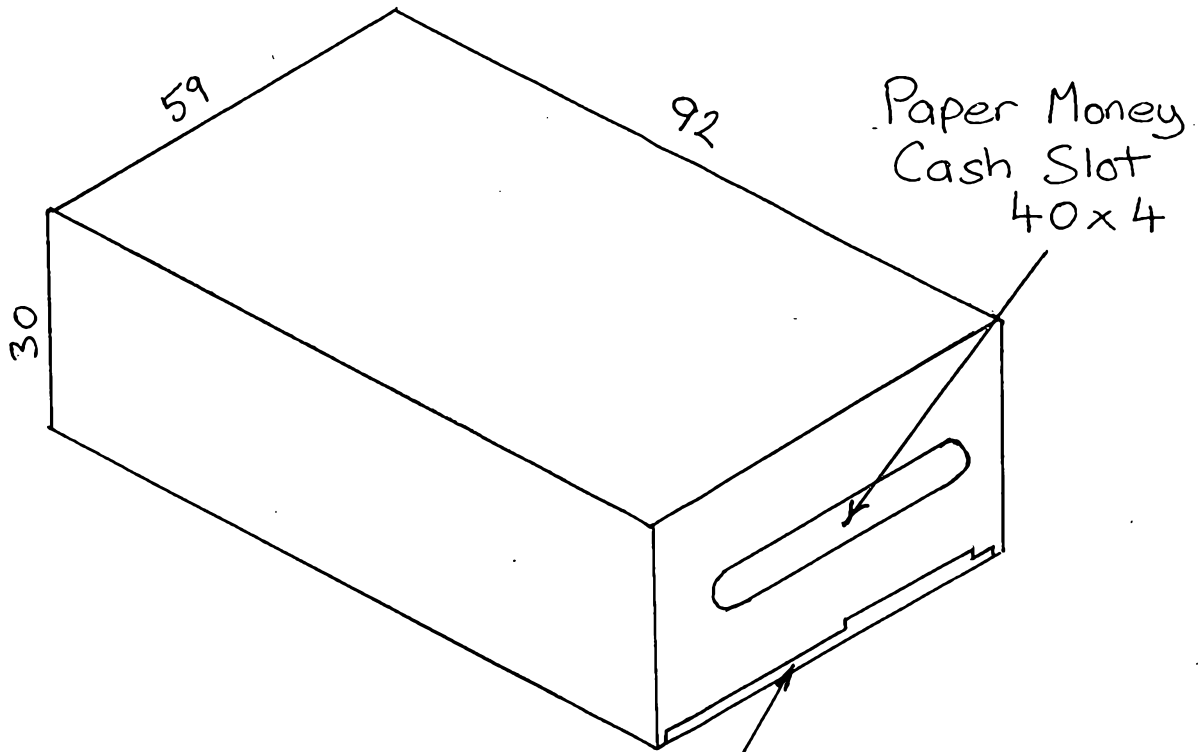


EDITORIAL NOTE - No. 51935/01

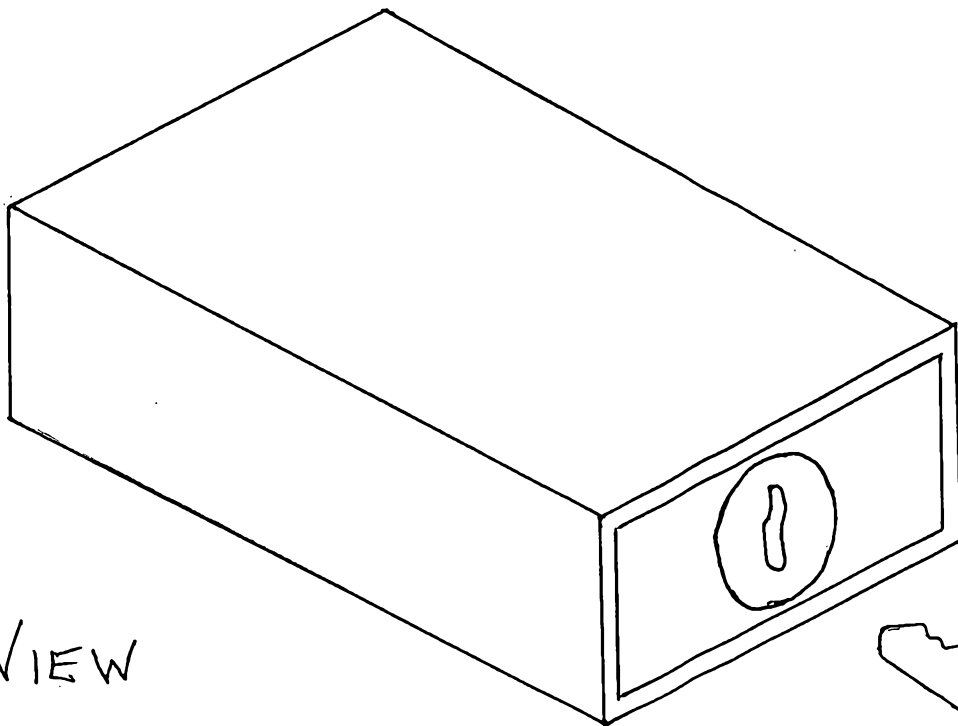
This specification contains no description

**No claims were lodged
with this application**

FRONT VIEW

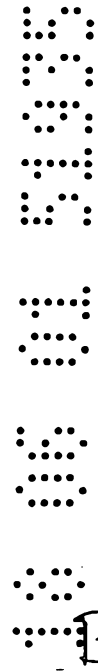


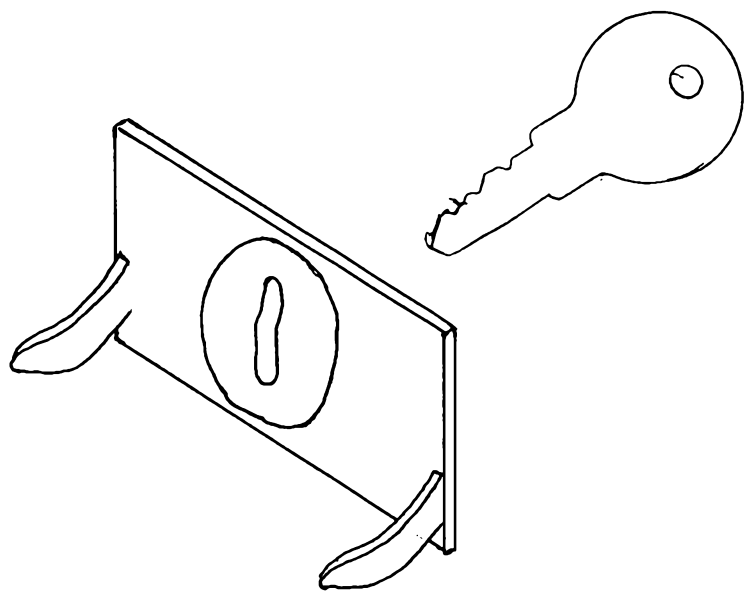
Bank/Credit Card Slot
w-Raised Number Recess 54x07



BACK VIEW

Recessed Door
w-Keyed Entry





Recessed Door Showing
Bank/Credit Card Clips.

