

(19) World Intellectual Property Organization
International Bureau



(43) International Publication Date
30 April 2009 (30.04.2009)

PCT

(10) International Publication Number
WO 2009/053012 A3

- (51) International Patent Classification:
F04C 18/344 (2006.01)
- (21) International Application Number:
PCT/EP2008/008856
- (22) International Filing Date: 15 October 2008 (15.10.2008)
- (25) Filing Language: English
- (26) Publication Language: English
- (30) Priority Data:
TO2007A000764 26 October 2007 (26.10.2007) IT
- (71) Applicant (for all designated States except US): **VHIT S.P.A. SOCIETA UNIPERSONALE** [IT/IT]; Strada Vicinale delle Sabbione 5, I-26010 Offanengo (IT).
- (72) Inventor; and
- (75) Inventor/Applicant (for US only): **CADEDDU, Leonardo** [IT/IT]; Via Stazione 23, I-26013 Crema (IT).
- (74) Agent: **PATRITO, Pier, Franco**; Patent Agency Patrito Brevetti, Via Don Minzoni 14, I-10121 Torino (IT).
- (81) Designated States (unless otherwise indicated, for every kind of national protection available): AE, AG, AL, AM,

AO, AT, AU, AZ, BA, BB, BG, BH, BR, BW, BY, BZ, CA, CH, CN, CO, CR, CU, CZ, DE, DK, DM, DO, DZ, EC, EE, EG, ES, FI, GB, GD, GE, GH, GM, GT, HN, HR, HU, ID, IL, IN, IS, JP, KE, KG, KM, KN, KP, KR, KZ, LA, LC, LK, LR, LS, LT, LU, LY, MA, MD, ME, MG, MK, MN, MW, MX, MY, MZ, NA, NG, NI, NO, NZ, OM, PG, PH, PL, PT, RO, RS, RU, SC, SD, SE, SG, SK, SL, SM, ST, SV, SY, TJ, TM, TN, TR, TT, TZ, UA, UG, US, UZ, VC, VN, ZA, ZM, ZW.

- (84) Designated States (unless otherwise indicated, for every kind of regional protection available): ARIPO (BW, GH, GM, KE, LS, MW, MZ, NA, SD, SL, SZ, TZ, UG, ZM, ZW), Eurasian (AM, AZ, BY, KG, KZ, MD, RU, TJ, TM), European (AT, BE, BG, CH, CY, CZ, DE, DK, EE, ES, FI, FR, GB, GR, HR, HU, IE, IS, IT, LT, LU, LV, MC, MT, NL, NO, PL, PT, RO, SE, SI, SK, TR), OAPI (BF, BJ, CF, CG, CI, CM, GA, GN, GQ, GW, ML, MR, NE, SN, TD, TG).

- Published:
 - with international search report
 - before the expiration of the time limit for amending the claims and to be republished in the event of receipt of amendments
- (88) Date of publication of the international search report:
2 July 2009

(54) Title: A VACUUM PUMP HAVING A SINGLE VANE

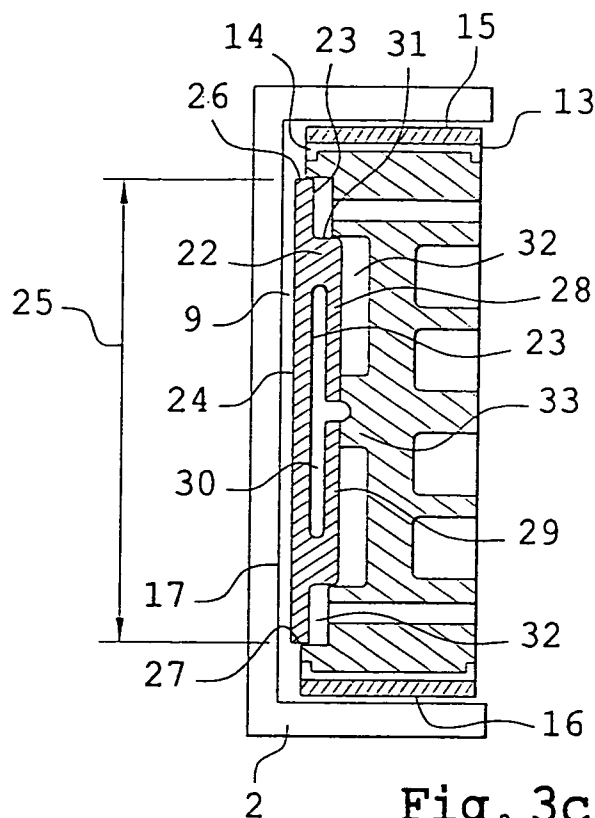


Fig. 3c

(57) Abstract: Inside a vacuum pump (1) having a single vane (3), some spaces (9) between the single vane (3) and a body (2) or a cover of the pump (1) can cause a decrease of the performances of the vacuum pump (1). In order to improve the performances of such vacuum pump (1) having a single vane (3), the invention proposes to reduce said spaces (9) by means of a flexible element (22) including two arms (28 and 29). This flexible element (22) is arranged on at least one of the faces (13 and 14) of the single vane (3). The arms (28 and 29) can be flattened or straightened according to the space to be filled between the single vane (3) and the body (2) or the cover of the pump (1).

WO 2009/053012 A3

INTERNATIONAL SEARCH REPORT

International application No
PCT/EP2008/008856

A. CLASSIFICATION OF SUBJECT MATTER INV. F04C18/344		
According to International Patent Classification (IPC) or to both national classification and IPC		
B. FIELDS SEARCHED		
Minimum documentation searched (classification system followed by classification symbols) F04C F01C		
Documentation searched other than minimum documentation to the extent that such documents are included in the fields searched		
Electronic data base consulted during the international search (name of data base and, where practical, search terms used) EPO-Internal, WPI Data		
C. DOCUMENTS CONSIDERED TO BE RELEVANT		
Category*	Citation of document, with indication, where appropriate, of the relevant passages	Relevant to claim No.
X	WO 2006/056162 A (LUK AUTOMOBILTECH GMBH & CO KG [DE]; HILTEMANN ULRICH [DE]; SCHULZ HAN) 1 June 2006 (2006-06-01)	1, 3-5, 10
Y	page 4, paragraph 2; figure 2 -----	6-9
X	DE 38 32 042 A1 (BARMAG BARMER MASCHF [DE]) 13 April 1989 (1989-04-13) column 9, line 2 - line 14; figures 4, 6 column 10, line 16 - line 22 -----	1, 2, 5, 10
X	JP 55 109791 A (AKIYAMA ISHINOSUKE) 23 August 1980 (1980-08-23) abstract; figure 3 -----	1, 3, 5, 10
Y	DE 10 2006 016243 A1 (JOMA HYDROMECHANIC GMBH [DE]) 4 October 2007 (2007-10-04) abstract; figure 2 -----	6-9
-/--		
<input checked="" type="checkbox"/> Further documents are listed in the continuation of Box C.		
<input checked="" type="checkbox"/> See patent family annex.		
* Special categories of cited documents :		
A document defining the general state of the art which is not considered to be of particular relevance *E* earlier document but published on or after the international filing date *L* document which may throw doubts on priority claim(s) or which is cited to establish the publication date of another citation or other special reason (as specified) *O* document referring to an oral disclosure, use, exhibition or other means *P* document published prior to the international filing date but later than the priority date claimed	*T* later document published after the international filing date or priority date and not in conflict with the application but cited to understand the principle or theory underlying the invention *X* document of particular relevance; the claimed invention cannot be considered novel or cannot be considered to involve an inventive step when the document is taken alone *Y* document of particular relevance; the claimed invention cannot be considered to involve an inventive step when the document is combined with one or more other such documents, such combination being obvious to a person skilled in the art. *8* document member of the same patent family	
Date of the actual completion of the international search <p style="text-align: center; font-weight: bold;">17 April 2009</p>	Date of mailing of the international search report <p style="text-align: center; font-weight: bold;">27/04/2009</p>	
Name and mailing address of the ISA/ European Patent Office, P.B. 5818 Patentlaan 2 NL - 2280 HV Rijswijk Tel. (+31-70) 340-2040. Fax: (+31-70) 340-3016	Authorized officer <p style="text-align: center; font-weight: bold;">Descoubes, Pierre</p>	

INTERNATIONAL SEARCH REPORT

International application No
PCT/EP2008/008856

C(Continuation). DOCUMENTS CONSIDERED TO BE RELEVANT		
Category*	Citation of document, with indication, where appropriate, of the relevant passages	Relevant to claim No
A	WO 2006/024872 A (WABCO AUTOMOTIVE UK LTD [GB]; HEAPS DAVID [GB]) 9 March 2006 (2006-03-09) the whole document -----	1-9

INTERNATIONAL SEARCH REPORT

Information on patent family members

International application No

PCT/EP2008/008856

Patent document cited in search report	A	Publication date	Patent family member(s)	Publication date
WO 2006056162	A	01-06-2006	DE 112005002687 A5 EP 1825146 A1	09-08-2007 29-08-2007
DE 3832042	A1	13-04-1989	NONE	
JP 55109791	A	23-08-1980	NONE	
DE 102006016243	A1	04-10-2007	EP 2002084 A1 WO 2007118504 A1	17-12-2008 25-10-2007
WO 2006024872	A	09-03-2006	NONE	