



US00D836714S

(12) **United States Design Patent**
Clark, III et al.

(10) **Patent No.:** **US D836,714 S**
(45) **Date of Patent:** **** Dec. 25, 2018**

(54) **PRINTER FOR PRINTING ON 3D OBJECTS**

(71) Applicant: **XEROX CORPORATION**, Norwalk, CT (US)

(72) Inventors: **William T Clark, III**, Pittsford, NY (US); **Michael F Leo**, Penfield, NY (US); **Wayne A Buchar**, Bloomfield, NY (US); **Brendan C Casey**, Webster, NY (US); **Stephen F Skrainar**, Penfield, NY (US); **Donald A. Brown**, Honeoye Falls, NY (US); **David M. Parsons**, Victor, NY (US)

(73) Assignee: **Xerox Corporation**, Norwalk, CT (US)

(**) Term: **15 Years**

(21) Appl. No.: **29/618,608**

(22) Filed: **Sep. 22, 2017**

(51) **LOC (11) Cl.** **18-02**

(52) **U.S. Cl.**
USPC **D18/57; D18/50; D15/122**

(58) **Field of Classification Search**
USPC D14/301, 303, 420-425, 462-470; D15/122, 135, 138; D18/6, 7, 35, 46-50, D18/54, 54.1, 55, 56, 57, 59; D34/1, 6, D34/7, 8, 11

See application file for complete search history.

(56) **References Cited**

U.S. PATENT DOCUMENTS

D425,909	S	*	5/2000	Chen	D14/301
D515,132	S	*	2/2006	Todd	D18/55
D545,521	S	*	6/2007	Titas	D34/7
D597,721	S	*	8/2009	Brockington	D34/7
D602,934	S	*	10/2009	Cao	D14/356
D619,649	S	*	7/2010	Chen	D18/57
D648,783	S	*	11/2011	Mathea	D18/53
D660,349	S	*	5/2012	Hiraguchi	D18/50

8,302,916	B2	*	11/2012	Dembowiak	B65F 1/0073 220/495.08
D684,332	S	*	6/2013	Gollob	D34/1
D703,901	S	*	4/2014	Tuncel	D34/1
D722,108	S	*	2/2015	Reches	D18/50
D732,586	S	*	6/2015	Chen	D15/122
D732,587	S	*	6/2015	Hsu	D15/122
D734,788	S	*	7/2015	Reches	D15/122

(Continued)

FOREIGN PATENT DOCUMENTS

CA 2838255 A1 * 1/2013 B29C 67/0062

OTHER PUBLICATIONS

Personalization to Take a 360 Degree Turn, posted on news.xerox.com, posted Sep. 25, 2017, no production date given, [online], [site visited May 10, 2018], Available from Internet, URL: https://www.news.xerox.com/news/Xerox-takes-360-degree-printing-on-objects-to-PACK-EXPO-2017 (Year: 2017).*

Primary Examiner — Melanie H Tung
Assistant Examiner — Fitzgerald L Butac

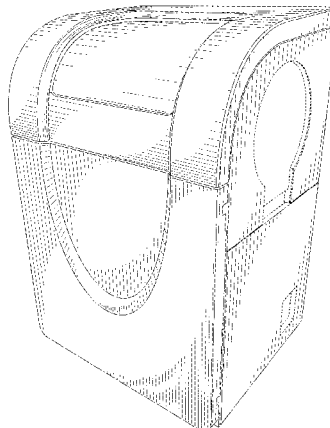
(57) **CLAIM**

The ornamental design for a printer for printing on 3D objects, as shown and described.

DESCRIPTION

FIG. 1 is a perspective view of a printer for printing on 3D objects in accordance with the present invention; FIG. 2 is a front view thereof; FIG. 3 is a right side view thereof; FIG. 4 is a rear view thereof; FIG. 5 is a left side view thereof; FIG. 6 is a top plan view thereof; and, FIG. 7 is a bottom plan view thereof. The broken lines show portions of a printer for printing on 3D objects that form no part of the claimed design.

1 Claim, 7 Drawing Sheets



(56)

References Cited

U.S. PATENT DOCUMENTS

D734,814	S	*	7/2015	Yeh	D18/50
D736,838	S	*	8/2015	Costabeber	D15/122
D738,410	S	*	9/2015	Liu	D15/122
D742,439	S	*	11/2015	Kraibuhler	D15/122
D754,763	S	*	4/2016	Kraibuhler	D15/122
D755,860	S	*	5/2016	Busato	D15/122
D757,132	S	*	5/2016	Liu	D15/122
D763,330	S	*	8/2016	Olive	D15/122
D766,998	S	*	9/2016	Kao	D15/122
D768,214	S	*	10/2016	Cho	D15/122
D770,545	S	*	11/2016	Olive	D15/122
D771,164	S	*	11/2016	Noorazar	D15/122
D777,227	S	*	1/2017	Kao	D15/122
D777,228	S	*	1/2017	Chang	D15/122
D777,808	S	*	1/2017	Chang	D15/122
D783,693	S	*	4/2017	Reches	D15/122
D787,574	S	*	5/2017	Lee	D15/122
D807,956	S	*	1/2018	Brown	D18/53
D808,453	S	*	1/2018	Share	D15/199
D809,574	S	*	2/2018	Lin	D15/122

* cited by examiner

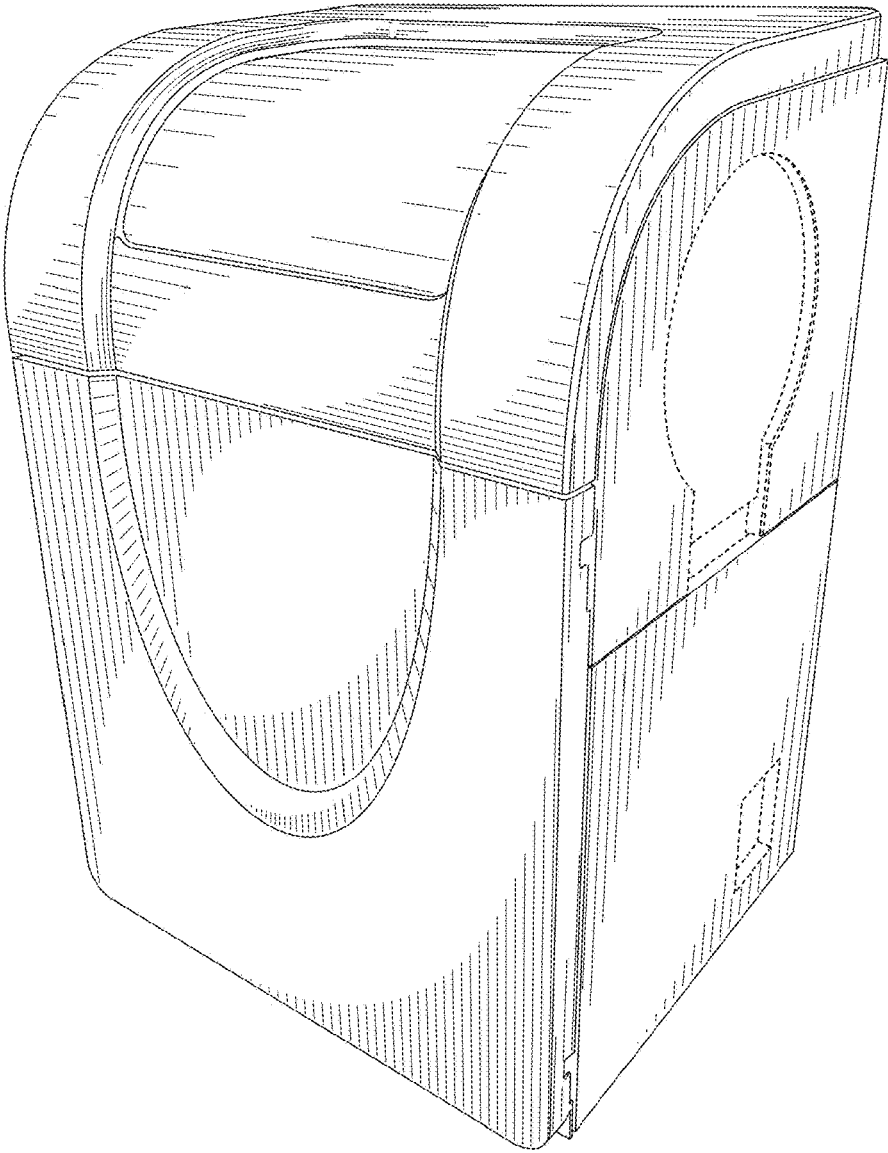


FIG. 1

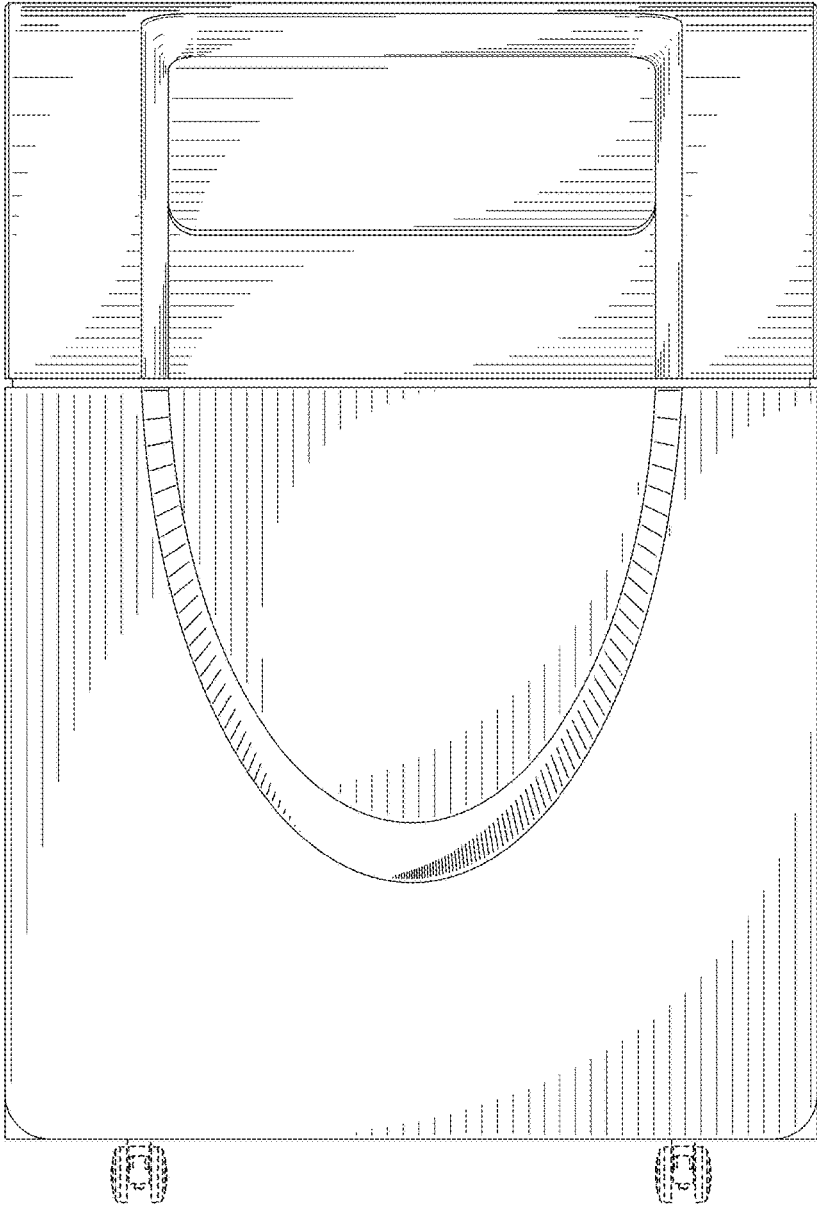


FIG. 2

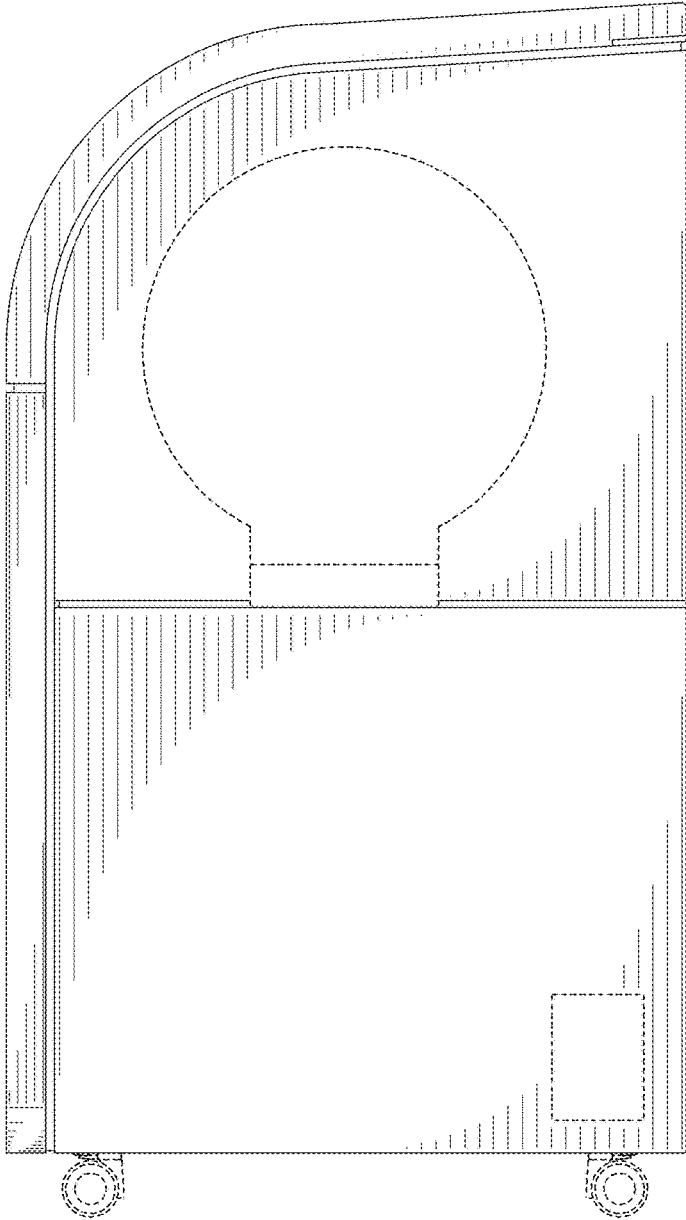


FIG. 3

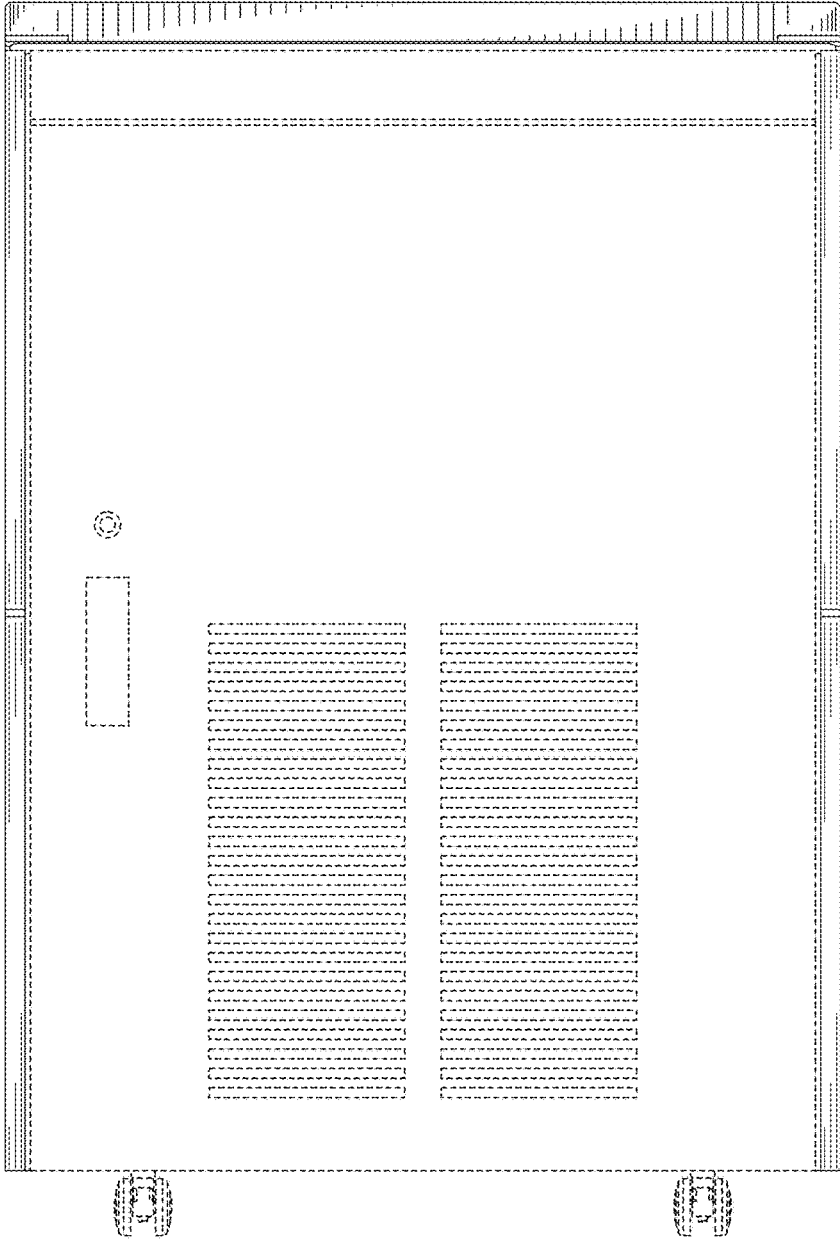


FIG. 4

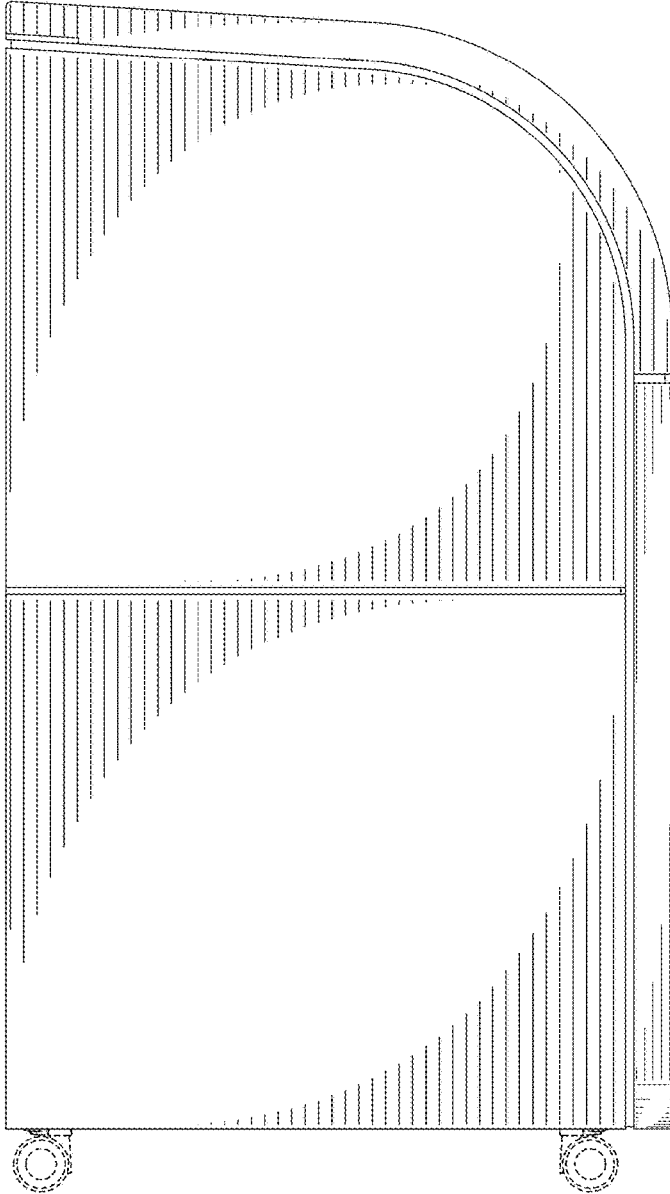


FIG. 5

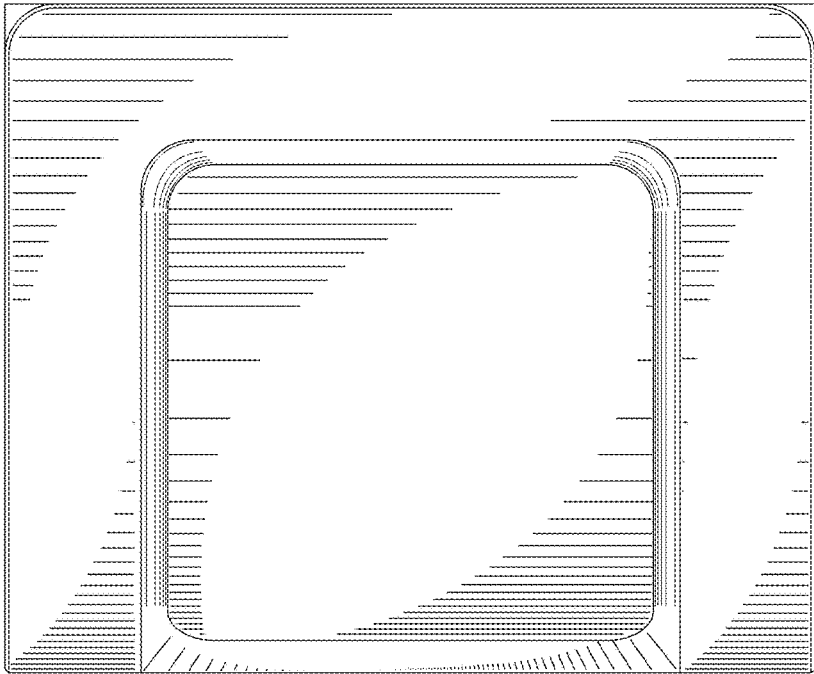


FIG. 6

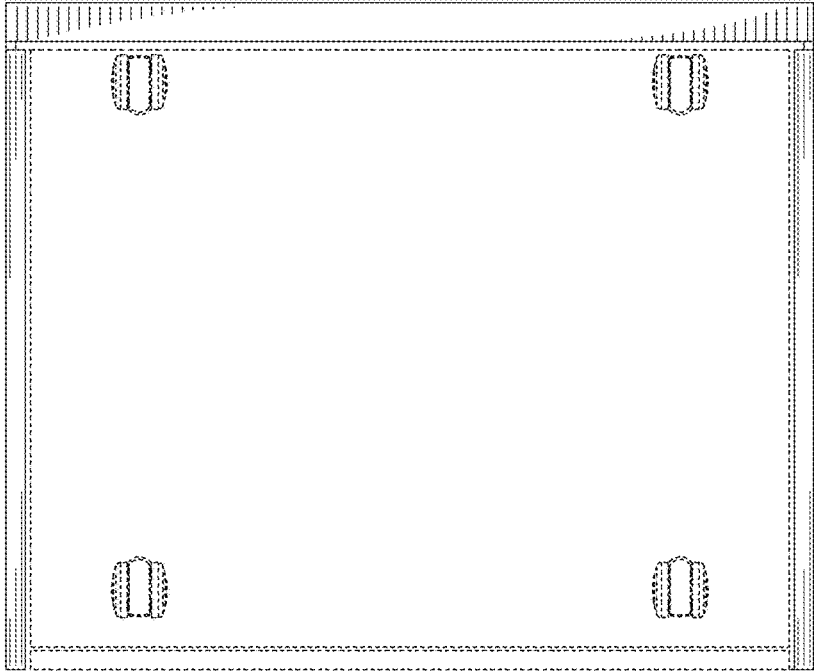


FIG. 7