



US00D659006S

(12) **United States Design Patent**
Wiescinski et al.

(10) **Patent No.:** **US D659,006 S**

(45) **Date of Patent:** **** *May 8, 2012**

(54) **BOTTLE**

(75) Inventors: **Marc T. Wiescinski**, Chicago, IL (US);
Brent S. Nelson, Village of Lakewood,
IL (US)

(73) Assignee: **Tropicana Products, Inc.**, Bradenton,
FL (US)

(*) Notice: This patent is subject to a terminal dis-
claimer.

(**) Term: **14 Years**

(21) Appl. No.: **29/357,001**

(22) Filed: **Mar. 5, 2010**

(51) **LOC (9) Cl.** **09-01**

(52) **U.S. Cl.** **D9/542; D9/563**

(58) **Field of Classification Search** D9/682,
D9/685, 694, 516, 520, 530, 541, 542, 544,
D9/559, 560, 563, 564, 572, 573, 574; 215/379,
215/381-385; 220/600, 602, 608, 609, 610,
220/660, 662, 665, 669, 670, 674, 675
See application file for complete search history.

(56) **References Cited**

U.S. PATENT DOCUMENTS

D10,407 S *	1/1878	Atwater	D9/522
D31,126 S *	7/1899	Henius	D9/546
D37,641 S *	11/1905	Hitzl	D9/546
D61,415 S	8/1922	Klein		
D78,729 S	6/1929	Coster		
D87,142 S	6/1932	Barbiers		
D87,397 S	7/1932	Marshburn		
D95,888 S	6/1935	Adams		
D100,560 S	7/1936	Harrison		
D127,478 S	3/1940	Brown		
D167,085 S	6/1952	Kaufner		
D172,089 S	5/1954	Du Pree		
3,043,461 A *	7/1962	Glassco	215/375
D197,864 S	3/1964	Hartland		
D200,442 S	2/1965	Lorenzen		
D200,499 S	3/1965	Lorenzen		
D204,707 S *	5/1966	Abbott	D9/526
D205,798 S	9/1966	Parcels		

D205,802 S	9/1966	Pettengill		
D208,116 S	7/1967	Landor		
D208,953 S	10/1967	Belcher et al.		
D209,102 S	10/1967	Linn		
D213,421 S	3/1969	Leary		
D217,129 S *	4/1970	Beeby	D9/504
D220,030 S *	3/1971	Plummer	D9/500

(Continued)

FOREIGN PATENT DOCUMENTS

CA ID120024 3/2008

(Continued)

Primary Examiner — Elizabeth J Oswecki

(74) *Attorney, Agent, or Firm* — Banner & Witcoff, Ltd.

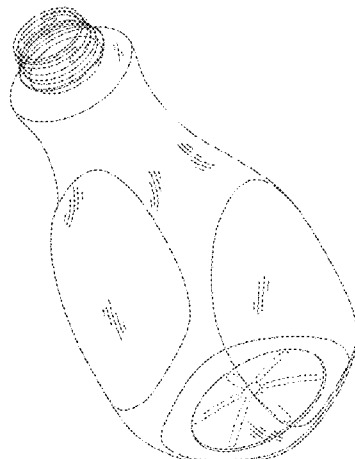
(57) **CLAIM**

The ornamental design for a bottle, as shown and described.

DESCRIPTION

FIG. 1 is a top, front, left perspective view of a bottle showing a first embodiment of our new design;
 FIG. 2 is a front view thereof;
 FIG. 3 is a right side view thereof;
 FIG. 4 is a rear view thereof;
 FIG. 5 is a left side view thereof;
 FIG. 6 is a top view thereof;
 FIG. 7 is a bottom view thereof;
 FIG. 8 is a bottom, front, left perspective view thereof;
 FIG. 9 is a top, front, left perspective view of a bottle showing a second embodiment of our new design;
 FIG. 10 is a front view thereof;
 FIG. 11 is a right side view thereof;
 FIG. 12 is a rear view thereof;
 FIG. 13 is a left side view thereof;
 FIG. 14 is a top view thereof;
 FIG. 15 is a bottom view thereof; and,
 FIG. 16 is a bottom, front, left perspective view thereof.
 In the drawings, the dashed-dot-dashed broken lines represent unclaimed boundaries of the claimed design and the even length broken lines depict portions of the design that form no part of the claim.

1 Claim, 14 Drawing Sheets



US D659,006 S

U.S. PATENT DOCUMENTS

D220,866 S * 6/1971 Weckman D9/536
 D222,610 S 11/1971 Plummer
 D225,155 S * 11/1972 Schafer D9/542
 D226,552 S * 3/1973 Smythe D9/541
 D230,689 S 3/1974 Schweitzer
 D233,828 S * 12/1974 Leary D9/541
 D236,801 S * 9/1975 Waring D9/563
 D237,777 S * 11/1975 McDonald D9/542
 D238,555 S 1/1976 Blank
 D239,816 S 5/1976 Thomson
 D242,841 S 12/1976 Kretz, Jr.
 D247,221 S * 2/1978 Landor et al. D9/529
 D247,471 S 3/1978 Strand
 D248,832 S * 8/1978 Weckman D9/543
 D249,121 S 8/1978 Strand
 D255,650 S * 7/1980 Britt D9/531
 D258,802 S 4/1981 Beaver
 D263,282 S * 3/1982 Jacobson D9/542
 D265,058 S * 6/1982 Ewry D9/500
 D265,975 S 8/1982 Vaussanvin
 D270,711 S 9/1983 Weckman
 D271,282 S 11/1983 Thrush
 D271,855 S 12/1983 Thrush
 D282,894 S 3/1986 Watson et al.
 D284,167 S 6/1986 Goettner
 D284,549 S 7/1986 Vaussanvin
 D289,979 S 5/1987 Crawford
 D310,964 S 10/1990 Weckman
 5,037,684 A * 8/1991 Dundas et al. 428/36.92
 D321,478 S 11/1991 Sassoli
 D325,751 S 4/1992 Futino
 D329,817 S 9/1992 Best
 D346,556 S 5/1994 Sirico et al.
 D365,752 S * 1/1996 Flanagan-Boos et al. D9/658
 D366,214 S 1/1996 Cooper
 D375,900 S 11/1996 DeVore
 D384,890 S 10/1997 Goldman
 D387,671 S 12/1997 Panella
 D401,157 S 11/1998 Gech et al.
 D416,804 S * 11/1999 Haas et al. D9/542
 D419,887 S 2/2000 Dugan
 D421,391 S 3/2000 Anderson et al.
 D422,915 S 4/2000 Hestehave et al.
 D425,793 S 5/2000 Walker
 D426,467 S 6/2000 Harrity et al.
 D426,468 S 6/2000 Harrity et al.
 D447,696 S * 9/2001 Weber D9/531
 D447,955 S 9/2001 Beaver et al.
 D449,539 S * 10/2001 Lakatos et al. D9/530
 D456,272 S 4/2002 Sadeghi et al.
 D457,437 S 5/2002 Sadeghi et al.
 D458,145 S 6/2002 Sadeghi et al.
 D460,695 S 7/2002 Sadeghi et al.
 D463,287 S 9/2002 Moore et al.
 D465,150 S 11/2002 Crawford et al.
 D468,212 S 1/2003 Wasson et al.
 D478,289 S * 8/2003 Dean et al. D9/542
 D480,315 S 10/2003 Sadeghi et al.

D486,739 S 2/2004 Taylor et al.
 D488,060 S 4/2004 Yourist
 D489,270 S * 5/2004 Crawford D9/542
 D498,145 S 11/2004 McLeish
 D505,624 S * 5/2005 Helps D9/529
 D509,435 S 9/2005 Rosson
 D510,033 S 9/2005 McLeish
 D512,643 S 12/2005 Busa et al.
 6,997,336 B2 2/2006 Yourist et al.
 D517,416 S 3/2006 Borgerson
 D525,141 S 7/2006 Beard et al.
 D527,645 S 9/2006 Pedmo et al.
 D536,619 S 2/2007 Heisner
 D538,662 S 3/2007 Goetz et al.
 D539,159 S 3/2007 Slat et al.
 D540,178 S 4/2007 Stewart
 D543,460 S 5/2007 Perry et al.
 D545,211 S 6/2007 Armstrong et al.
 D547,665 S 7/2007 Lepoitevin
 D547,997 S * 8/2007 Parcels D7/319
 D548,092 S 8/2007 Klemm
 D551,080 S * 9/2007 Pedmo et al. D9/516
 D554,997 S 11/2007 Perry et al.
 D554,998 S 11/2007 Perry et al.
 D555,001 S 11/2007 Perry et al.
 D555,003 S 11/2007 Perry et al.
 D555,500 S 11/2007 Johnston et al.
 D565,422 S 4/2008 Cowan-Hughes et al.
 D568,170 S 5/2008 Prini
 D570,217 S 6/2008 Meillerais
 D573,031 S 7/2008 Hestehave
 D576,497 S 9/2008 Ozer
 D577,593 S 9/2008 Hestehave
 D578,399 S 10/2008 Hestehave
 D579,338 S 10/2008 Hestehave
 D584,634 S 1/2009 Perez et al.
 D584,955 S 1/2009 Hackl
 D588,021 S 3/2009 Ziegler et al.
 D591,608 S 5/2009 Marotti et al.
 D594,341 S 6/2009 Casey et al.
 D596,040 S 7/2009 Lepoitevin
 D596,948 S 7/2009 Hackl
 D600,127 S 9/2009 Kuzma et al.
 D601,907 S 10/2009 Gainey et al.
 D604,172 S * 11/2009 Kuzma et al. D9/542
 D606,410 S 12/2009 Kissinger et al.
 D615,870 S 5/2010 Bourne
 D617,195 S 6/2010 Williams
 D617,203 S 6/2010 Yourist
 D621,715 S * 8/2010 Schwartz et al. D9/541
 D623,528 S 9/2010 Brandt
 D623,530 S 9/2010 Ungrady et al.
 2004/0104195 A1 * 6/2004 Yourist et al. 215/379
 2009/0065468 A1 3/2009 Hata et al.

FOREIGN PATENT DOCUMENTS

CA ID124145 2/2009

* cited by examiner

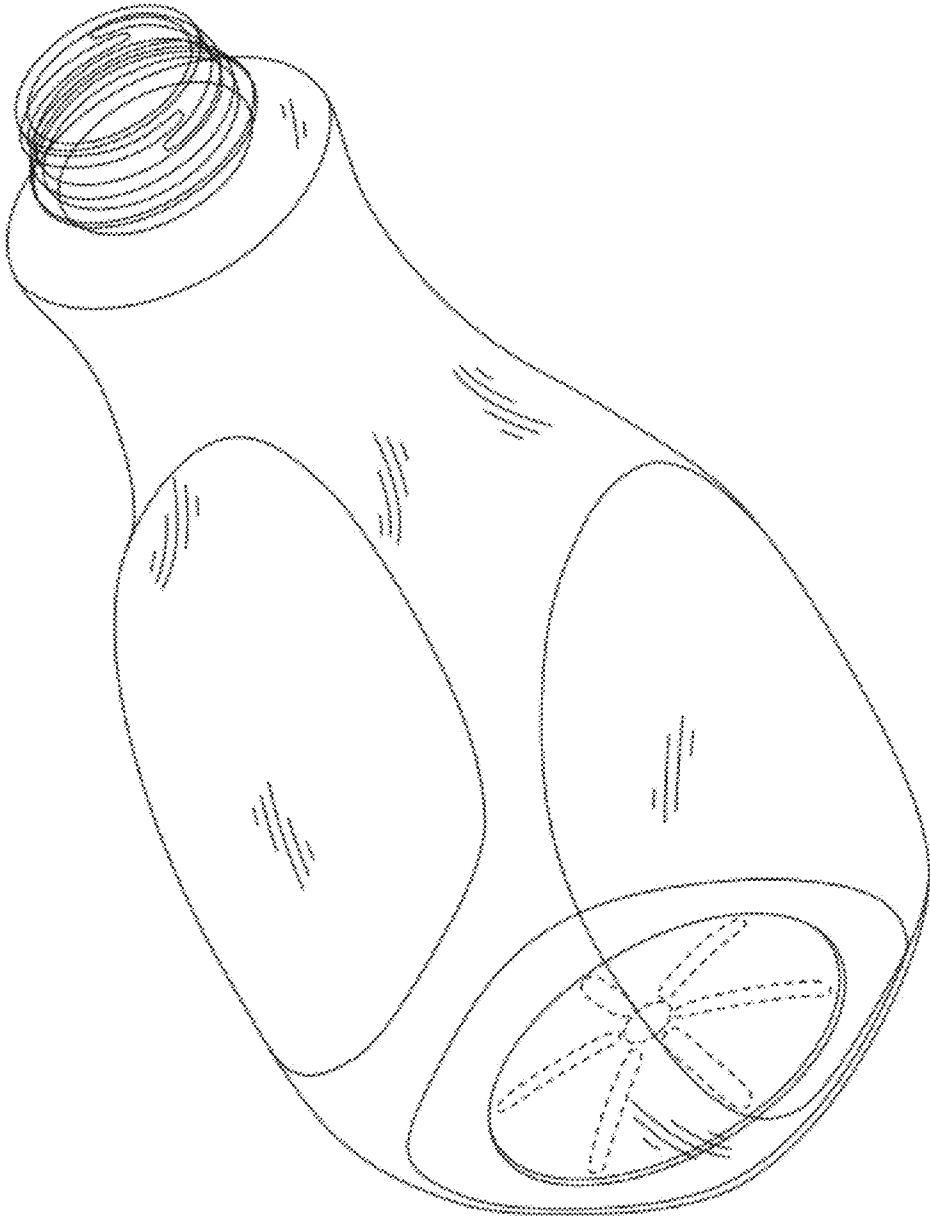


FIG. 1

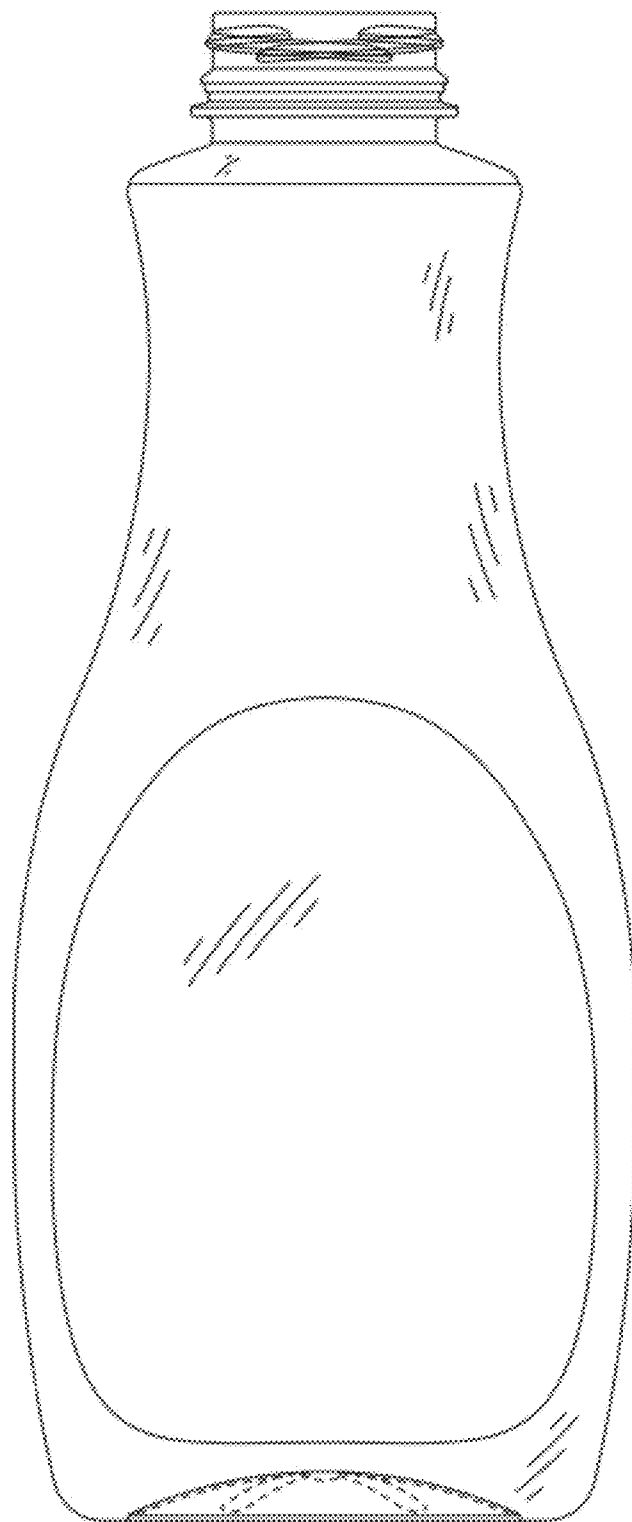


FIG. 2

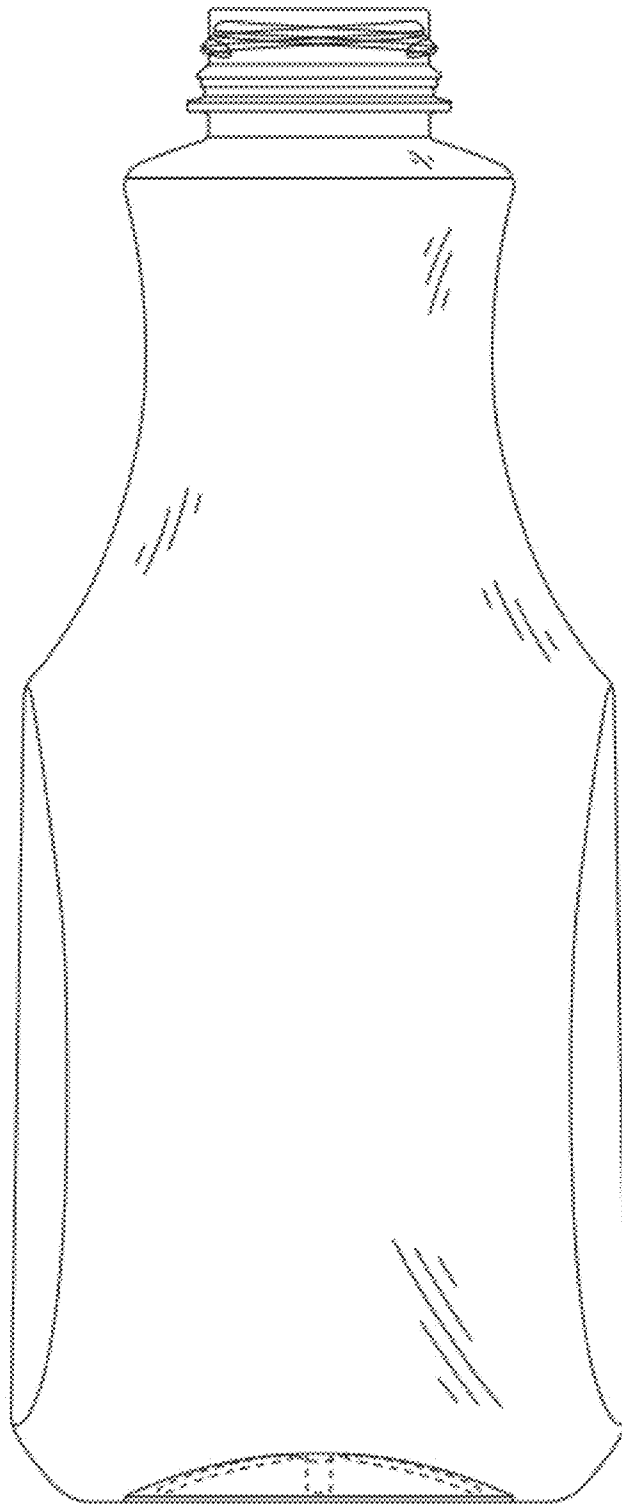


FIG. 3

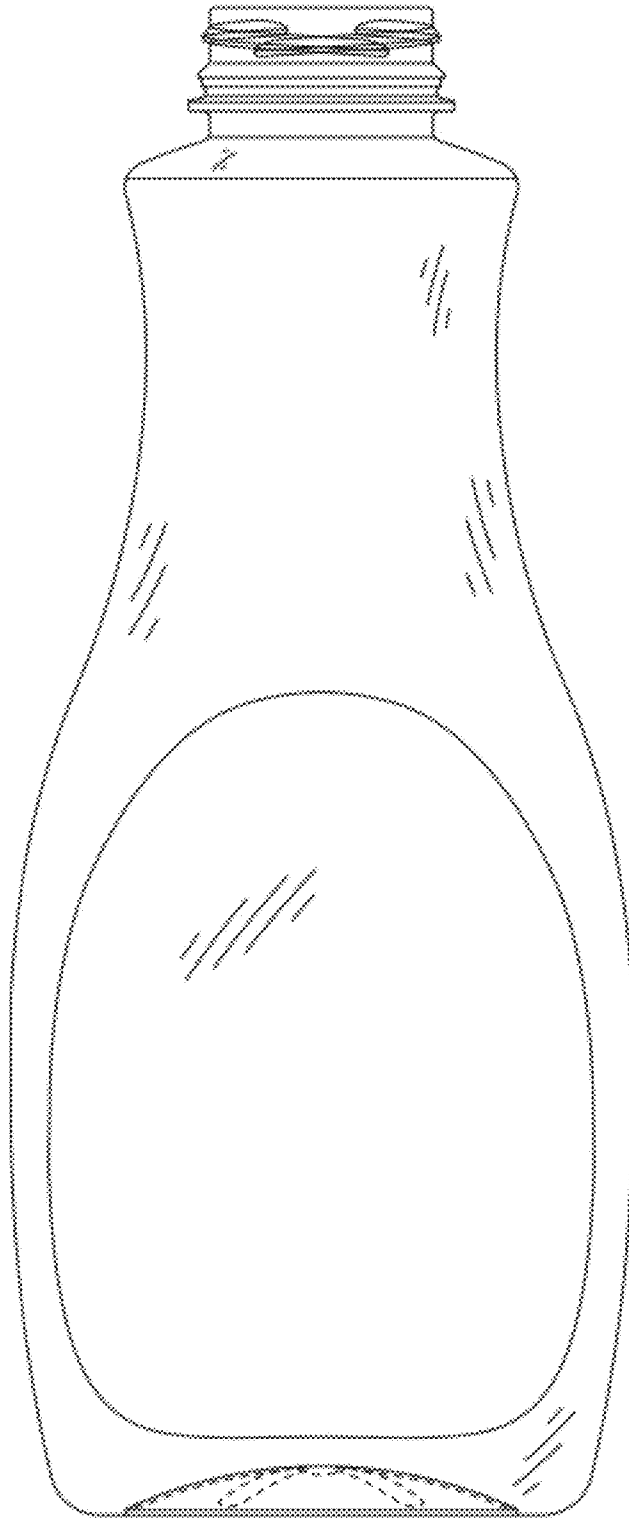


FIG. 4

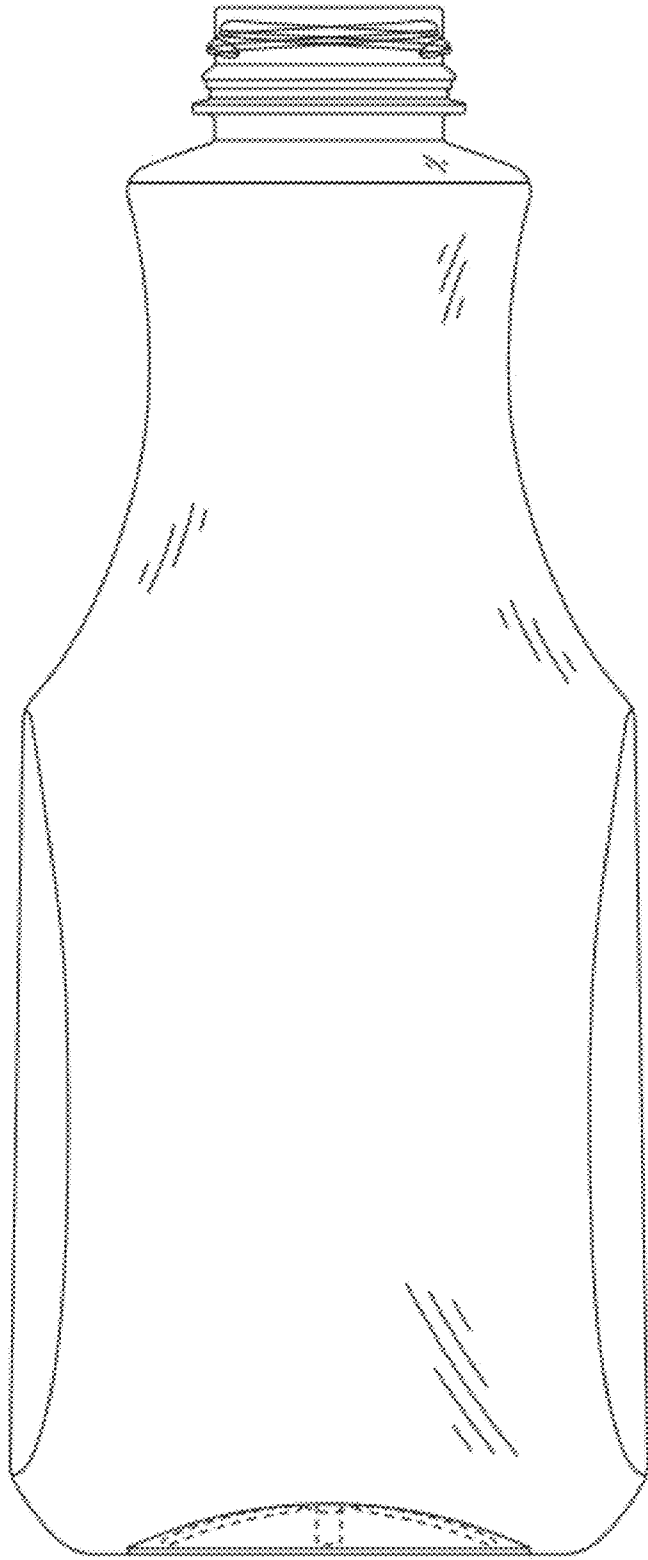


FIG. 5

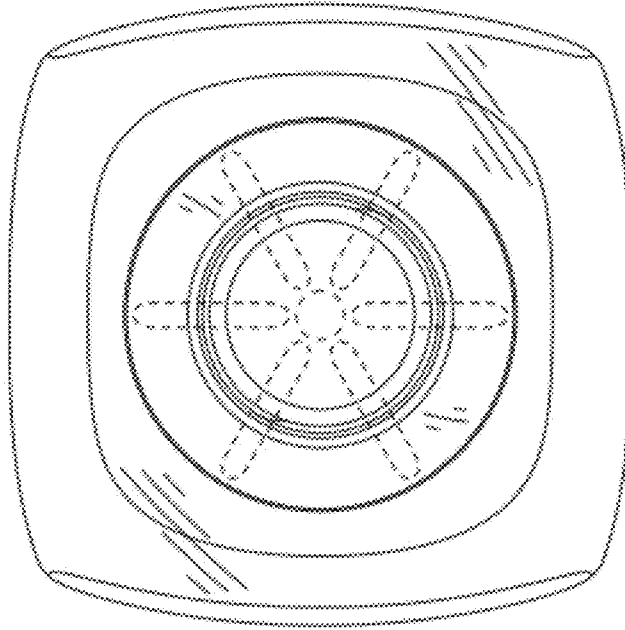


FIG. 6

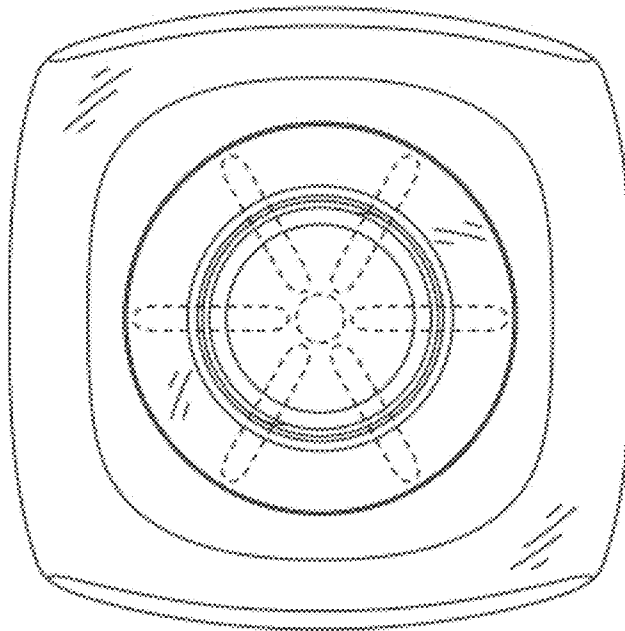


FIG. 7

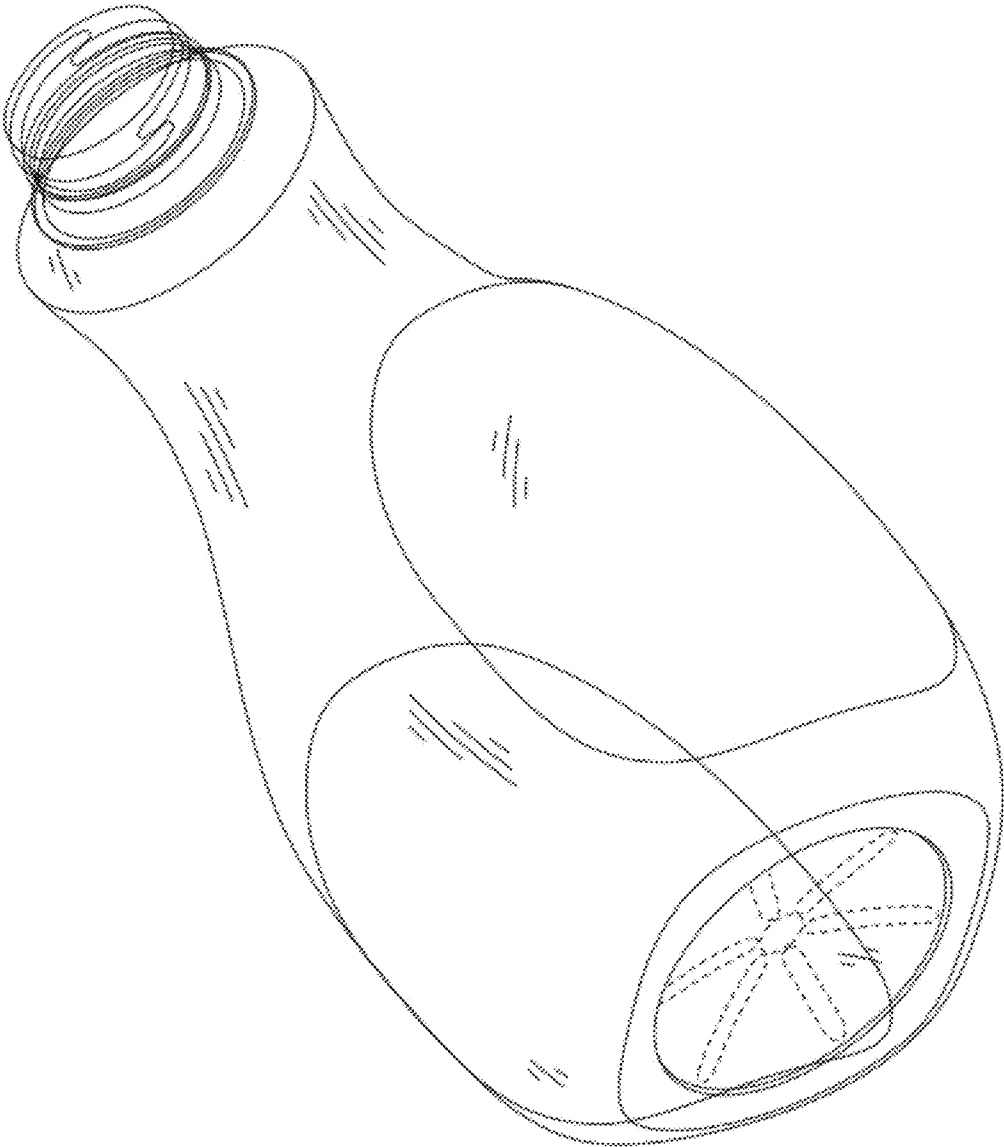


FIG. 8

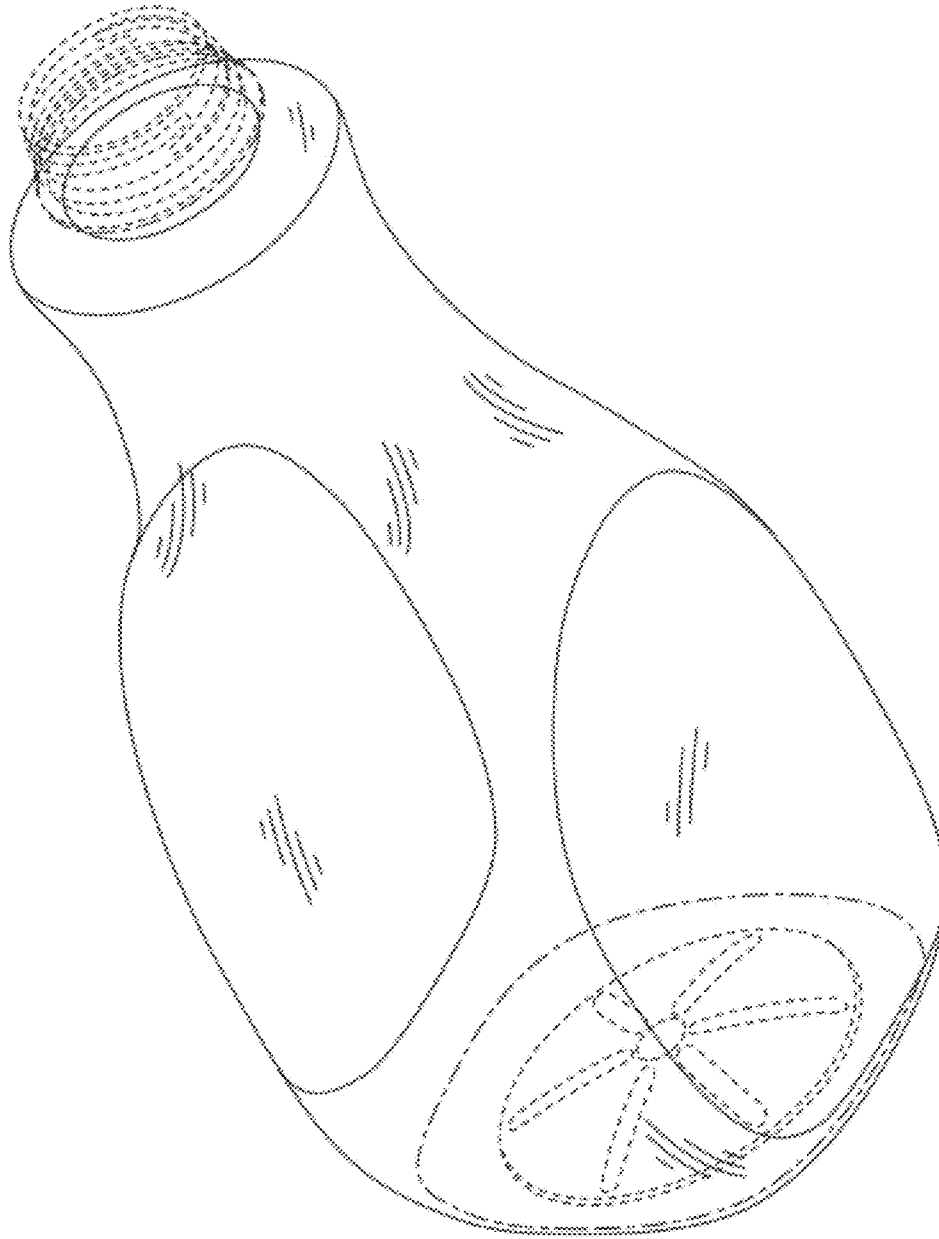


FIG. 9

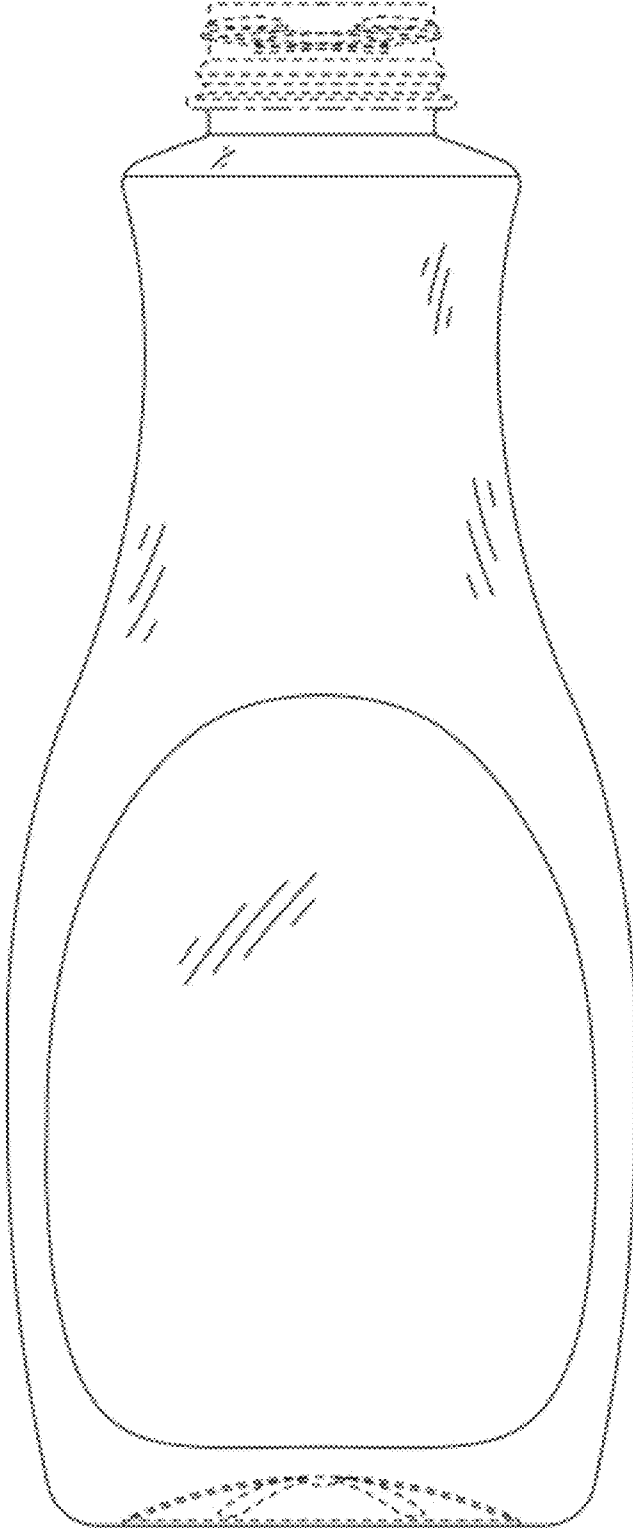


FIG. 10

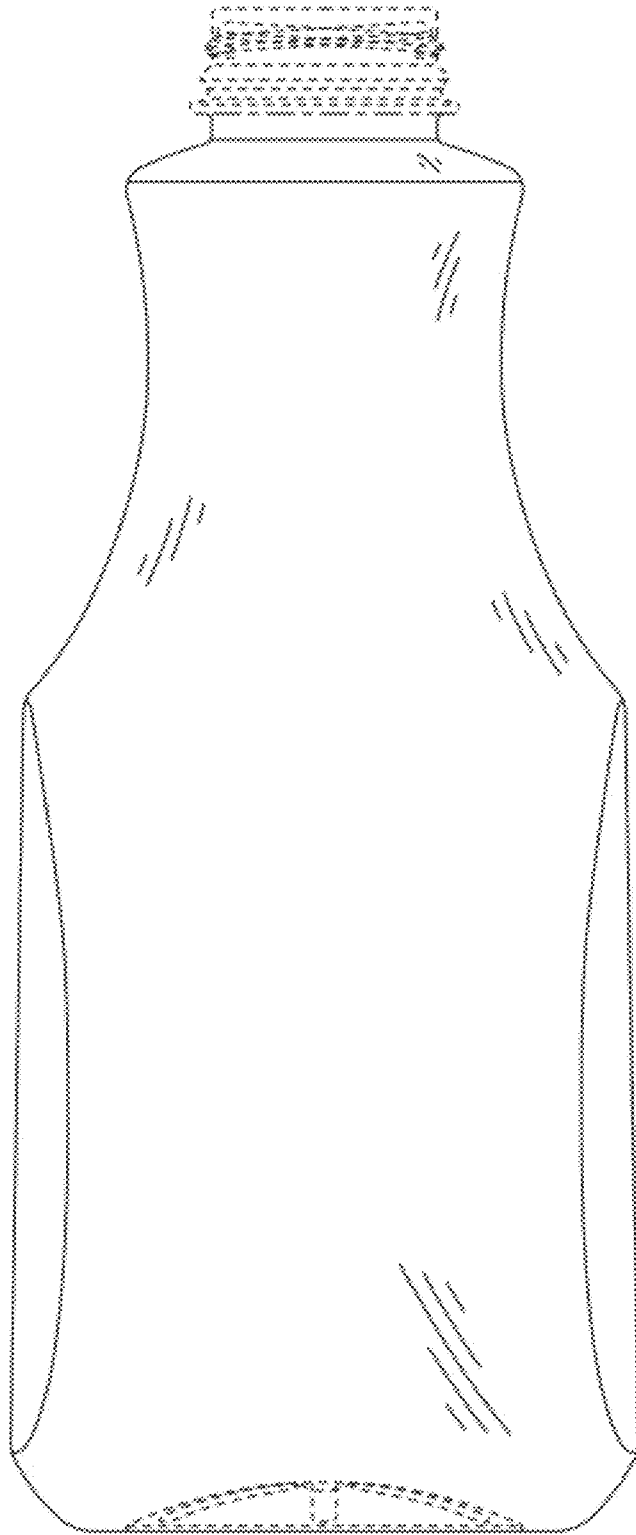


FIG. 11

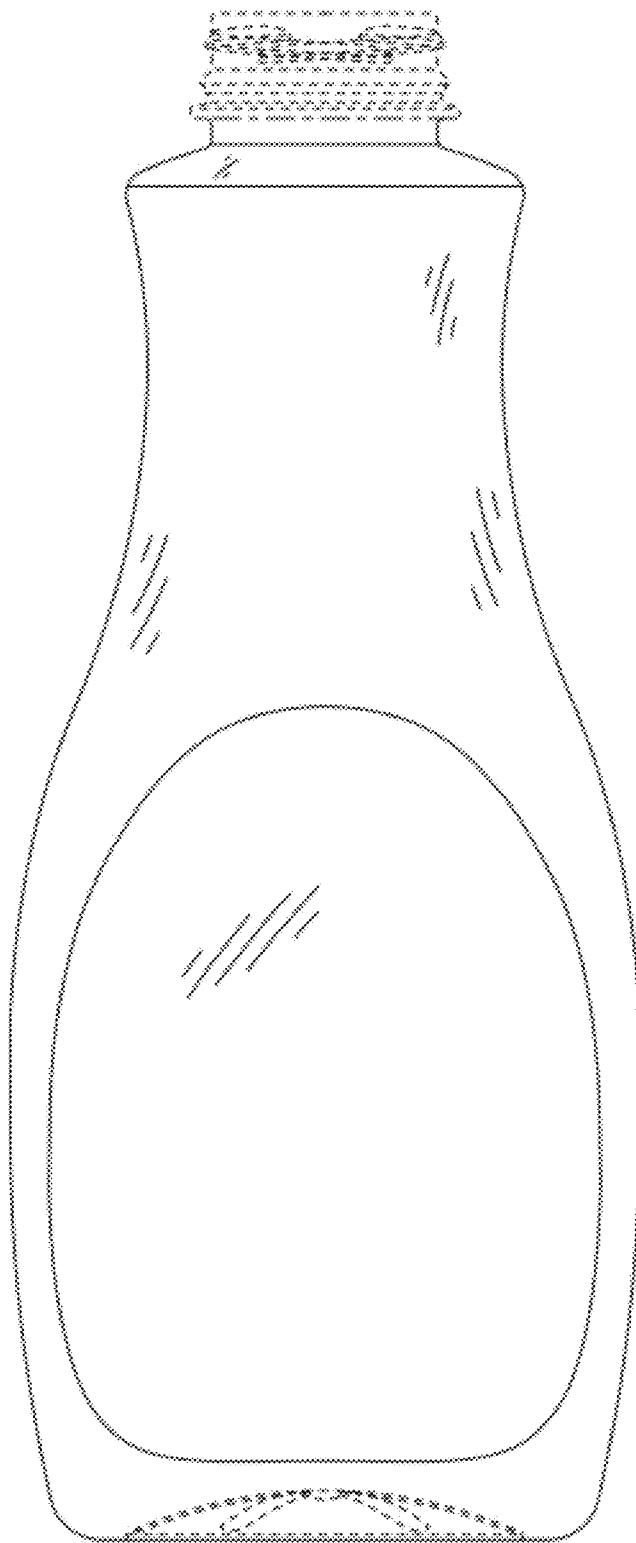


FIG. 12

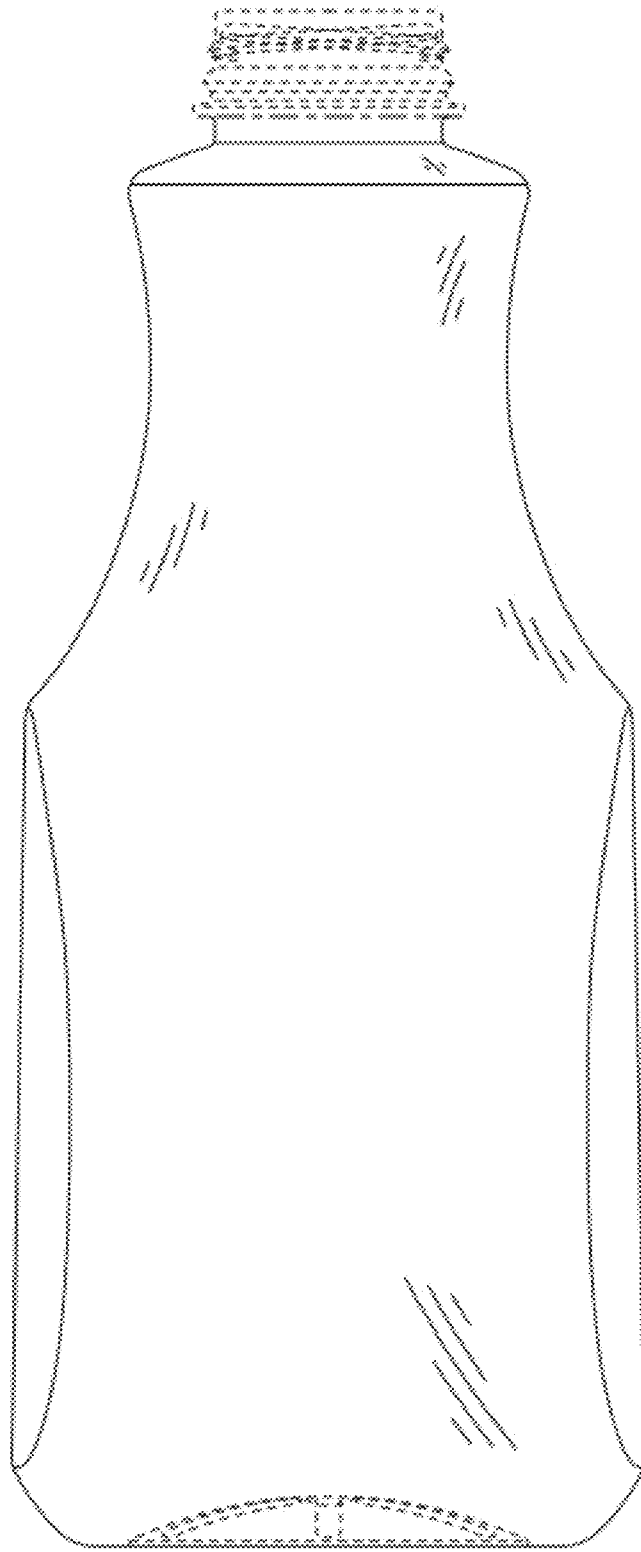


FIG. 13

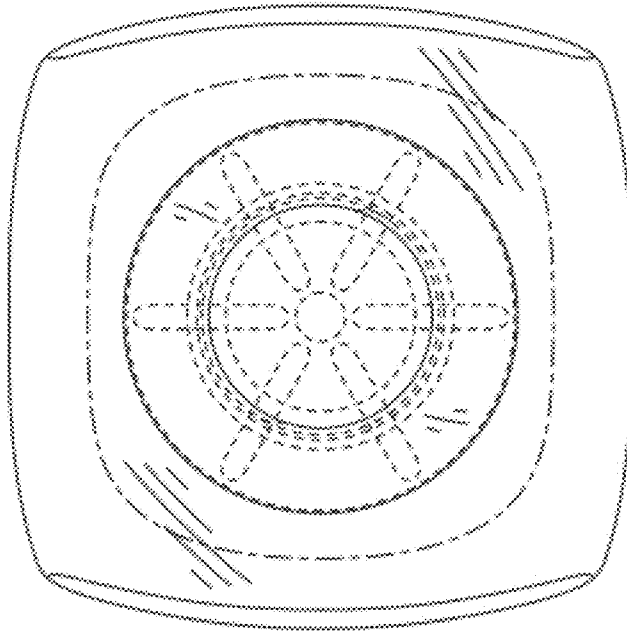


FIG. 14

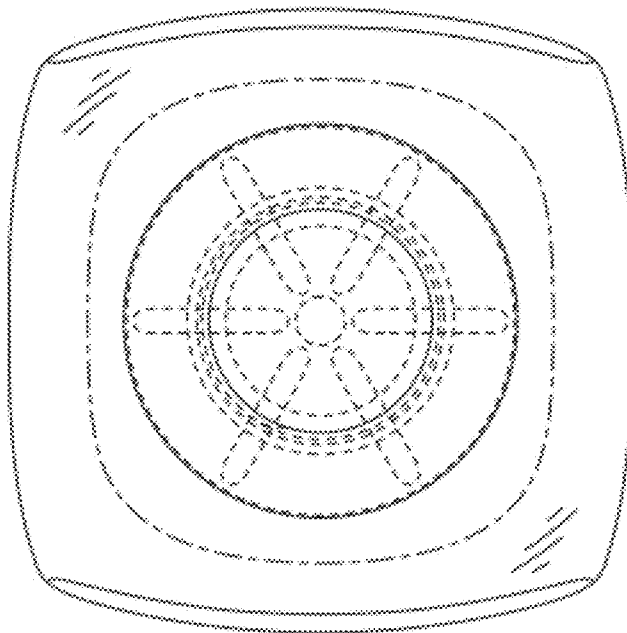


FIG. 15

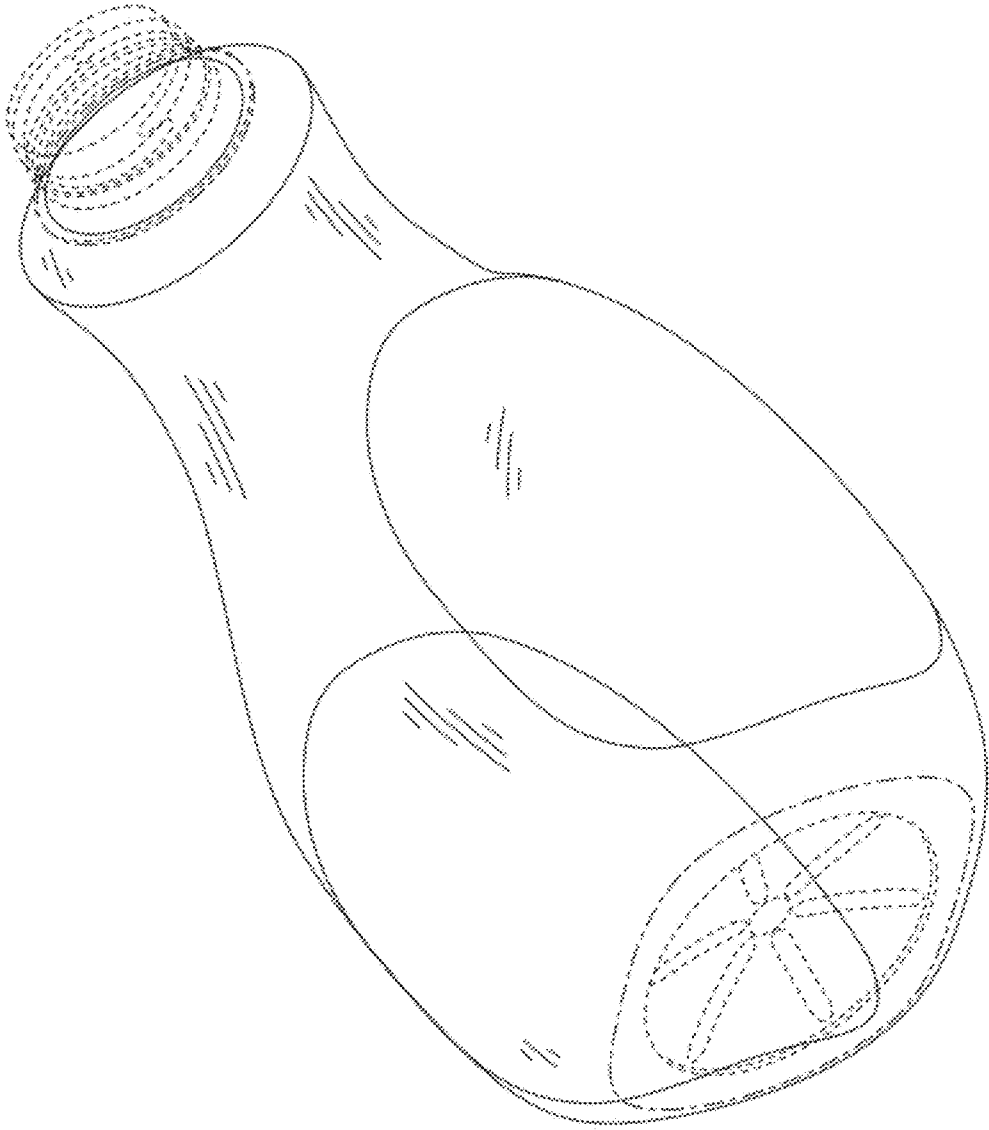


FIG. 16