



US00D561471S

(12) **United States Design Patent**
Nakamura

(10) **Patent No.:** **US D561,471 S**

(45) **Date of Patent:** **** Feb. 12, 2008**

(54) **CASE FOR ELECTRONIC DEVICE**

(75) Inventor: **Takatoshi Nakamura**, Tokyo (JP)

(73) Assignee: **Sony Computer Entertainment Inc.**,
Tokyo (JP)

(**) Term: **14 Years**

(21) Appl. No.: **29/268,486**

(22) Filed: **Nov. 8, 2006**

(30) **Foreign Application Priority Data**

May 8, 2006 (JP) D2006-011632

(51) **LOC (8) Cl.** **03-01**

(52) **U.S. Cl.** **D3/294**

(58) **Field of Classification Search** D3/201,
D3/203.1, 203.6, 205, 273, 294-295, 318,
D3/903, 905; D9/414, 422, 424, 430, 432,
D9/434; D14/356, 432, 435-436; D21/333;
D27/183, 186.7, 189; 206/307, 307.1, 308.2,
206/387.1, 387.11

See application file for complete search history.

(56) **References Cited**

U.S. PATENT DOCUMENTS

| | | | | |
|---------------|---------|----------------|-------|-----------|
| D168,287 S * | 12/1952 | Burgess | | D3/294 |
| D229,116 S * | 11/1973 | Ishii | | D28/61 |
| D258,705 S * | 3/1981 | Wheeler | | D3/295 |
| 4,271,961 A * | 6/1981 | Blankenmeister | | 206/216 |
| D260,202 S * | 8/1981 | Middleton, Jr. | | D3/269 |
| 4,469,225 A * | 9/1984 | Takahashi | | 206/387.1 |
| D294,197 S * | 2/1988 | Abbott | | D3/295 |
| 4,913,287 A * | 4/1990 | Kagano | | 206/387.1 |
| D309,431 S * | 7/1990 | Sheehan | | D9/424 |
| D310,102 S * | 8/1990 | Rittenhouse | | D19/67 |
| D354,848 S * | 1/1995 | Lovell | | D3/205 |

| | | | | |
|--------------|---------|------------------|-------|--------|
| D360,525 S * | 7/1995 | Entwistle | | D3/273 |
| D466,296 S * | 12/2002 | Hellenberg-Hubar | | D3/295 |
| D478,689 S * | 8/2003 | Thorpe | | D28/83 |
| D498,925 S * | 11/2004 | Chen | | D3/294 |
| D506,065 S * | 6/2005 | Sugino et al. | | D3/294 |
| D527,182 S * | 8/2006 | Ham | | D3/294 |
| D529,288 S * | 10/2006 | Ham | | D3/294 |
| D541,045 S * | 4/2007 | Peart et al. | | D3/291 |
| D542,529 S * | 5/2007 | Peart et al. | | D3/276 |

* cited by examiner

Primary Examiner—Philip S. Hyder

Assistant Examiner—R. L. (Ulm) Cody

(74) *Attorney, Agent, or Firm*—Radar, Fishman & Grauer,
PLLC

(57) **CLAIM**

The ornamental design for a case for electronic device, as shown and described.

DESCRIPTION

FIG. 1 is a front elevational view of a case for electronic device showing my new design;

FIG. 2 is a rear elevational view thereof;

FIG. 3 is a right side elevational view thereof, a left side elevational view thereof being a mirror image;

FIG. 4 is a top plan view thereof;

FIG. 5 is a bottom plan view thereof;

FIG. 6 is a top, right perspective view thereof;

FIG. 7 is a bottom, left perspective view thereof;

FIG. 8 is a cross-sectional view thereof taken along the line VIII—VIII shown in FIG. 1; and,

FIG. 9 is a cross-sectional view thereof taken along the line IX—IX shown in FIG. 1.

1 Claim, 9 Drawing Sheets

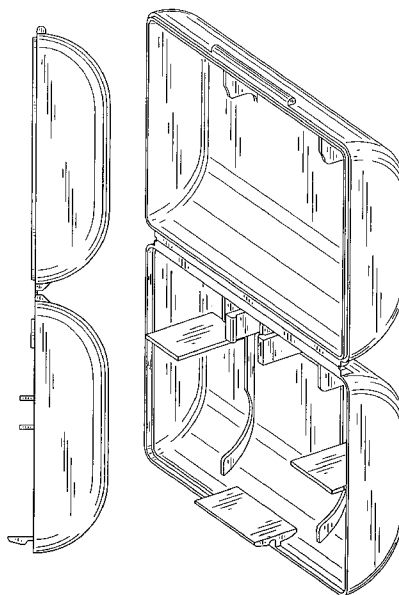


Fig. 1

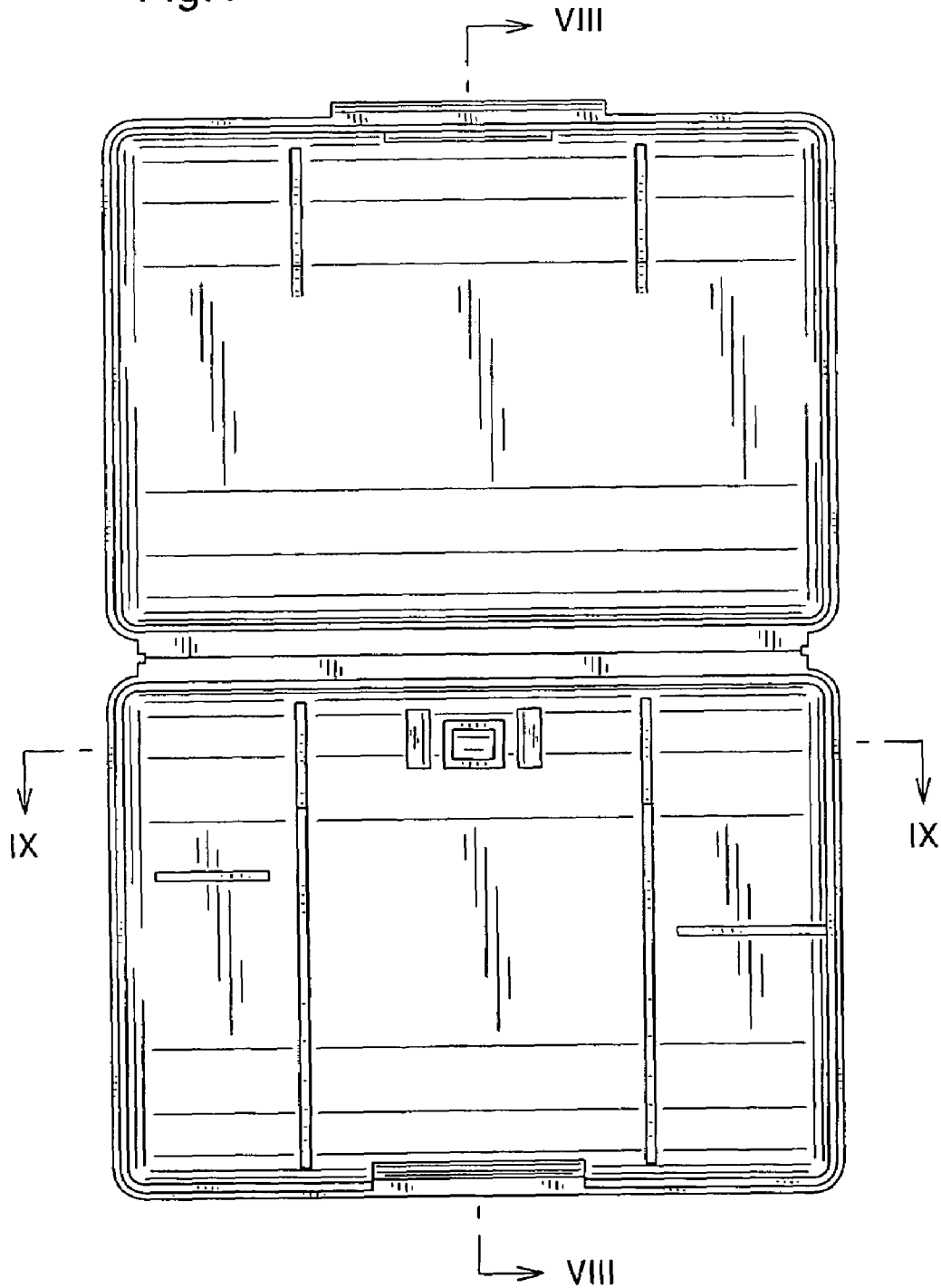


Fig.2

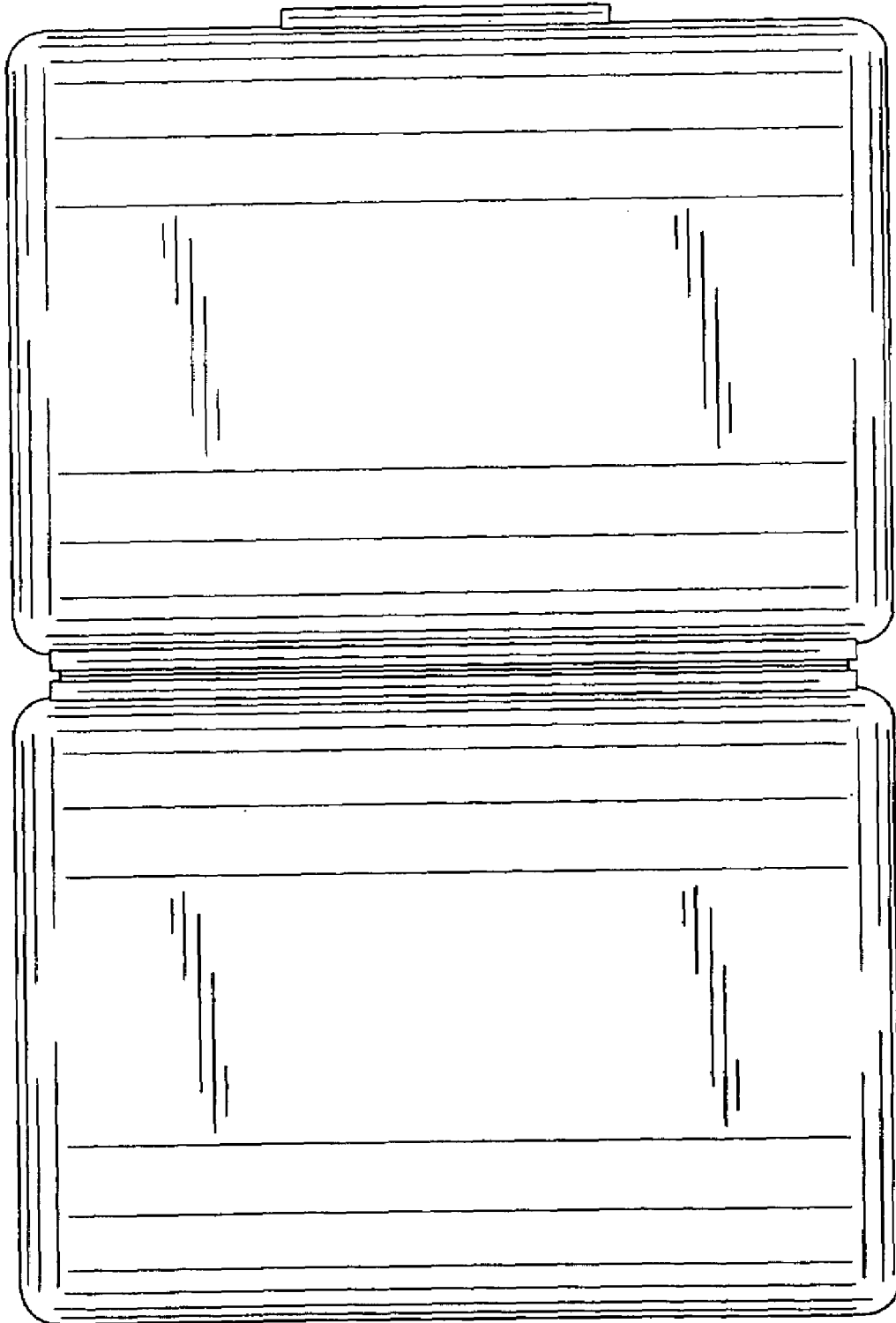


Fig.3

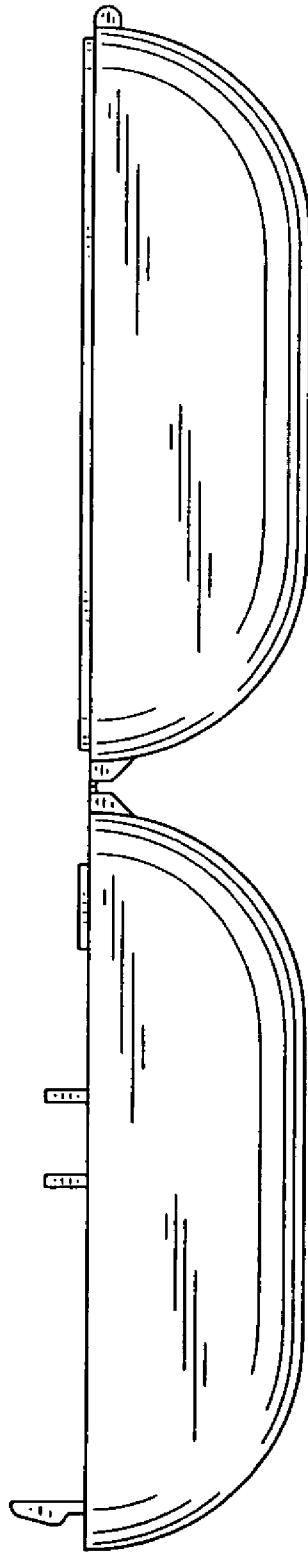


Fig.4

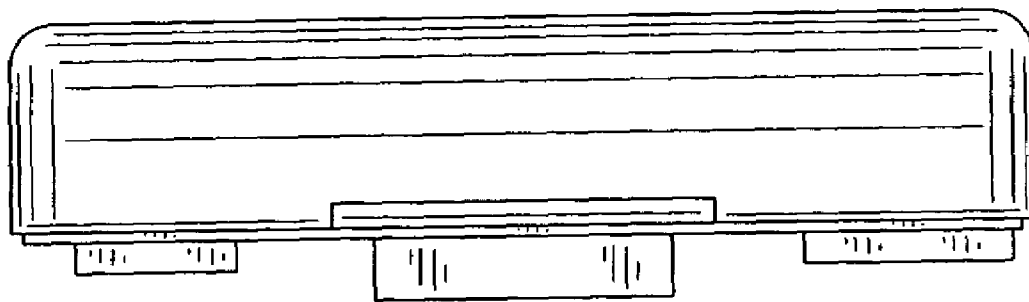


Fig.5

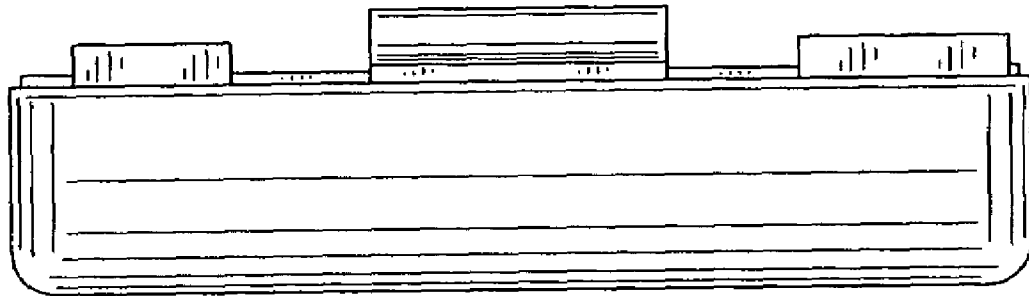


Fig.6

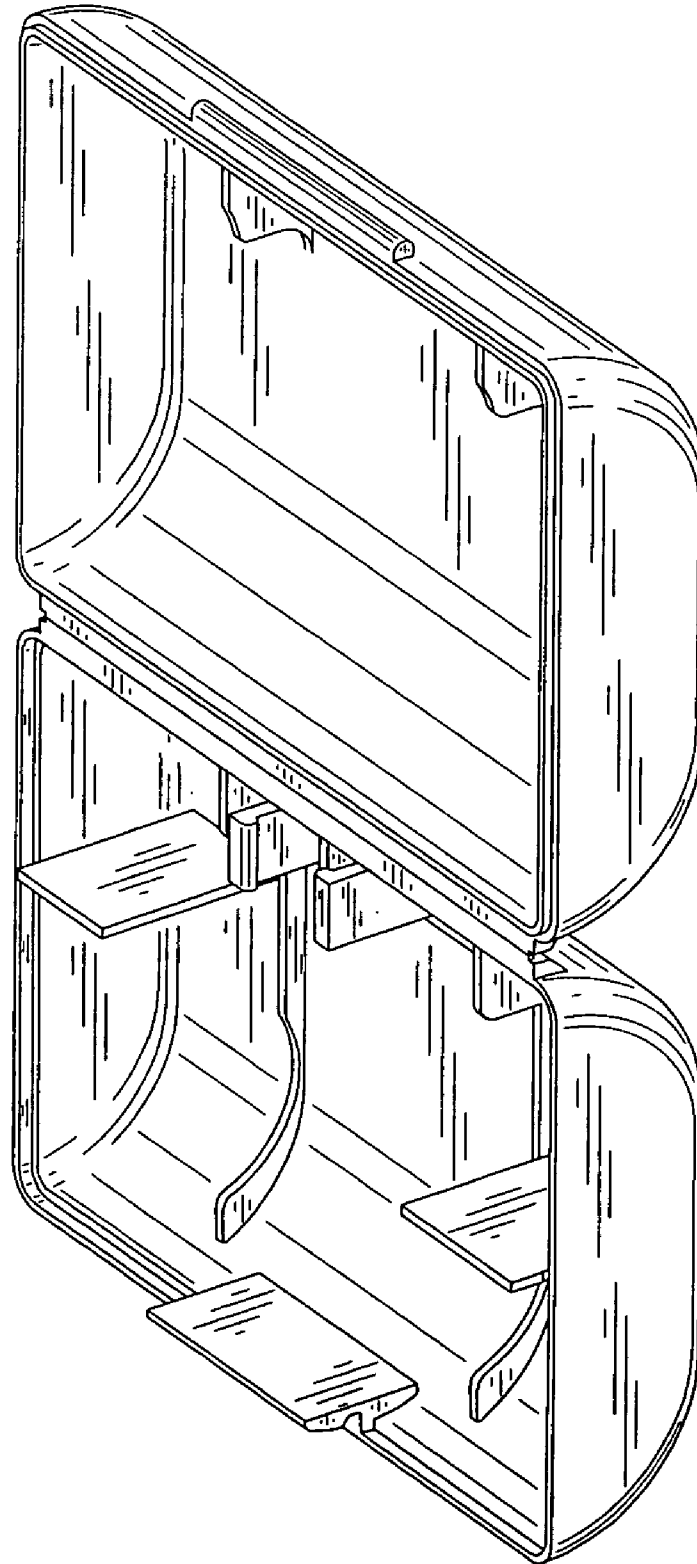


Fig.7

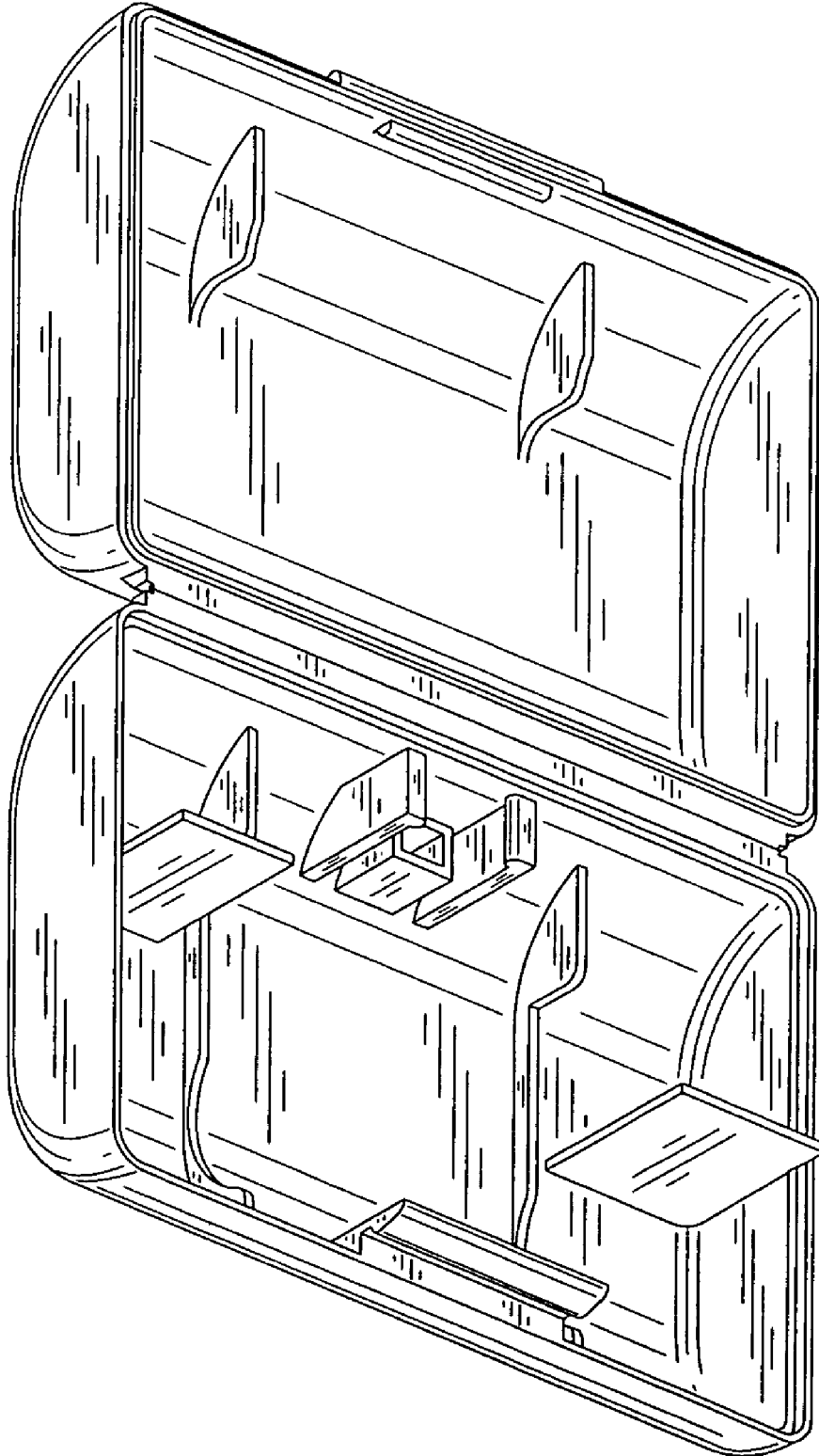


Fig.8

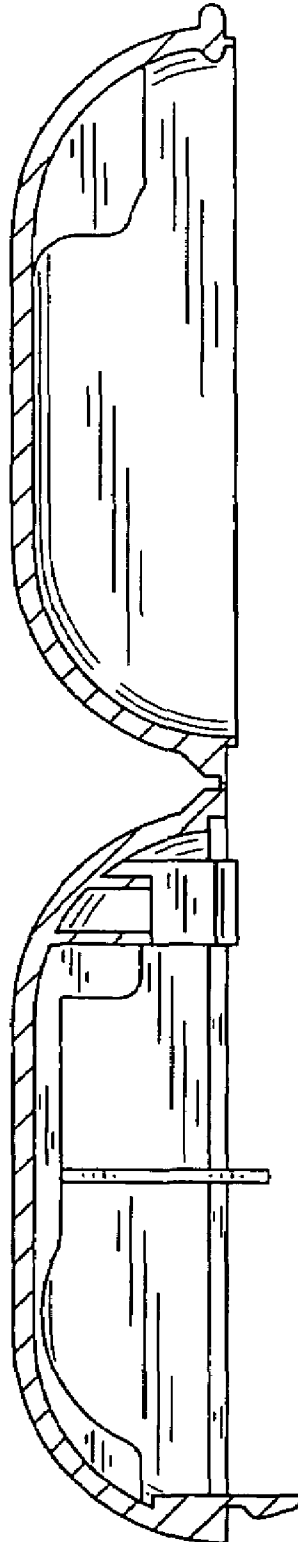


Fig.9

