



US00D518261S

(12) **United States Design Patent**  
**Varga**

(10) **Patent No.:** **US D518,261 S**

(45) **Date of Patent:** **\*\* Mar. 28, 2006**

(54) **SQUEEGEE WATER BLADE HOLDER**

(75) Inventor: **George Varga**, Jupiter, FL (US)

(73) Assignee: **MPS Products, Inc.**, Jupiter, FL (US)

(\*\*) Term: **14 Years**

(21) Appl. No.: **29/180,493**

(22) Filed: **Apr. 23, 2003**

(51) **LOC (8) Cl.** ..... **04-01**

(52) **U.S. Cl.** ..... **D32/41; D32/35; D8/395**

(58) **Field of Classification Search** ..... **D32/35, D32/39, 41, 42; D8/373, 380, 382, 383, 394, D8/395; 248/211, 311.2, 313, 311.3, 316.7**  
See application file for complete search history.

(56) **References Cited**

**U.S. PATENT DOCUMENTS**

825,073	A	*	7/1906	Reed	.....	30/298
D182,530	S	*	4/1958	McCarty	.....	D8/380
D188,000	S	*	5/1960	Shanok et al.	.....	D8/394
3,310,264	A	*	3/1967	Appleton	.....	248/72
3,526,381	A	*	9/1970	Pepe	.....	248/71
3,929,345	A	*	12/1975	Nasby et al.	.....	280/813
D293,856	S	*	1/1988	Evans	.....	D3/229
D314,325	S	*	2/1991	Ziaylek et al.	.....	D8/373
D353,242	S	*	12/1994	McCoy et al.	.....	D32/54
5,732,862	A	*	3/1998	Bull	.....	224/217
D412,336	S	*	7/1999	Bakoledis	.....	D15/143
D420,569	S	*	2/2000	Evans	.....	D8/396

6,059,245	A	*	5/2000	Hermansen et al.	.....	248/311.2
6,340,142	B1	*	1/2002	Li	.....	248/74.1
D461,396	S	*	8/2002	Ferrill et al.	.....	D8/373
D483,654	S	*	12/2003	Taylor	.....	D8/356
D484,783	S	*	1/2004	Woodhall	.....	D8/395
6,814,486	B1	*	11/2004	Sidoni	.....	374/208

\* cited by examiner

*Primary Examiner*—Cynthia E. Ramirez

(74) *Attorney, Agent, or Firm*—McHale & Slavin, P.A.

(57) **CLAIM**

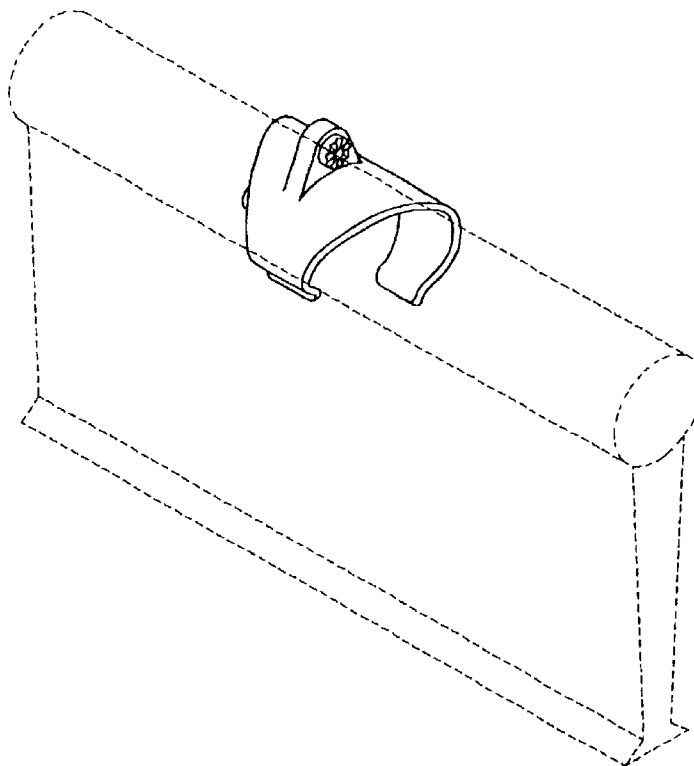
The ornamental design for a squeegee water blade holder, as shown and described.

**DESCRIPTION**

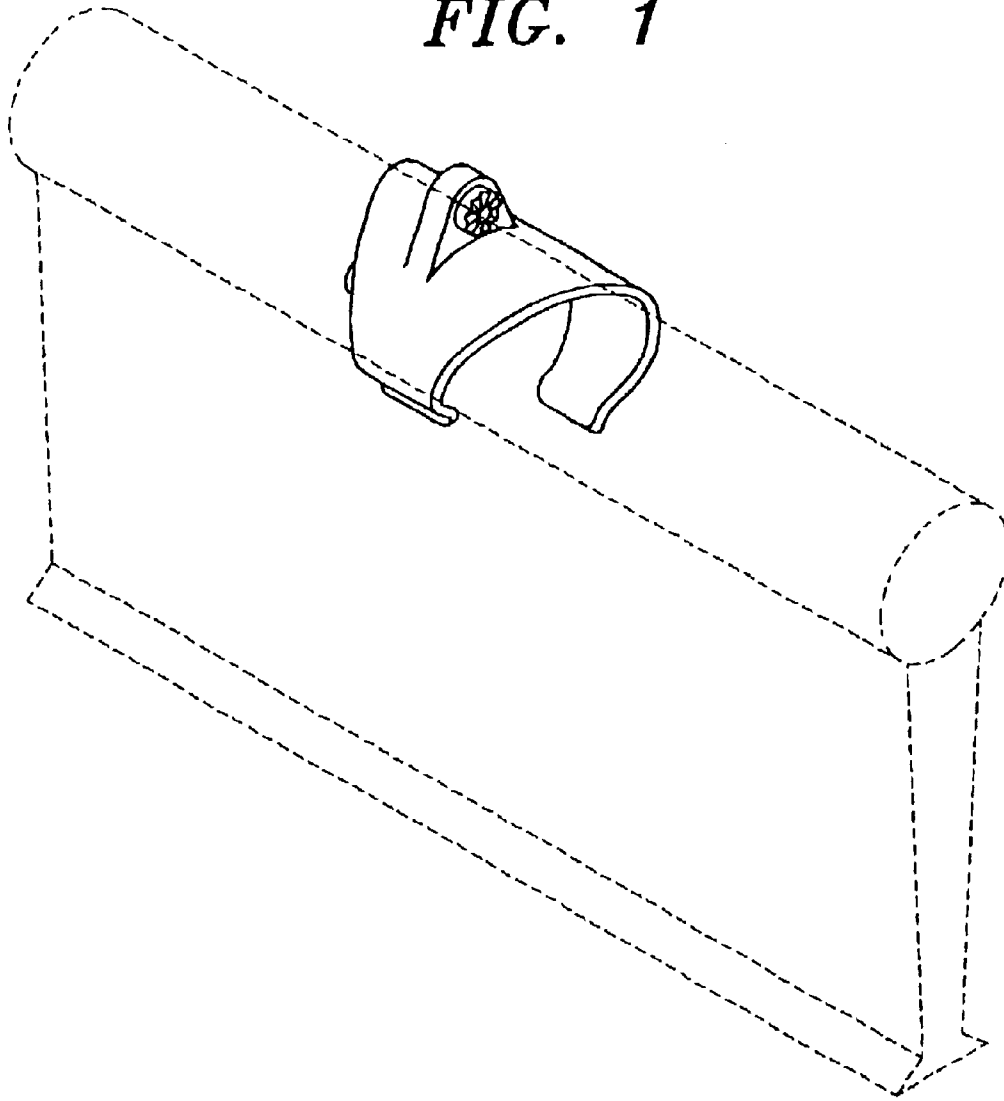
FIG. 1 is a perspective pictorial view of the squeegee water blade holder showing a squeegee water blade in phantom; FIG. 2 is a front view of the squeegee water blade holder showing handle coupling connectors in phantom; FIG. 3 is a right side view of the squeegee water blade holder; FIG. 4 is a rear view thereof; FIG. 5 is a left side view thereof; FIG. 6 is a top view thereof; and, FIG. 7 is a bottom view thereof.

The broken line showing of a squeegee blade in FIG. 1 and hardware in FIG. 2 is for illustrative purposes only and forms no part of the claimed design.

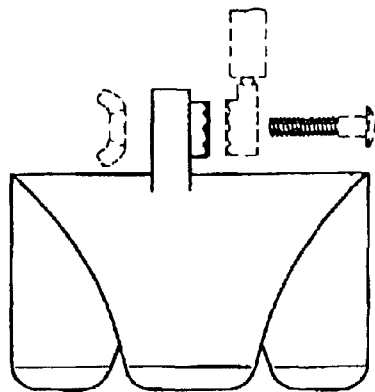
**1 Claim, 2 Drawing Sheets**



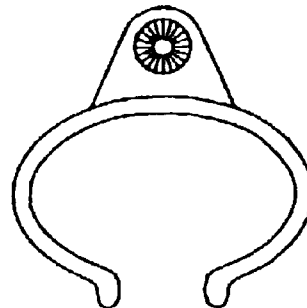
*FIG. 1*



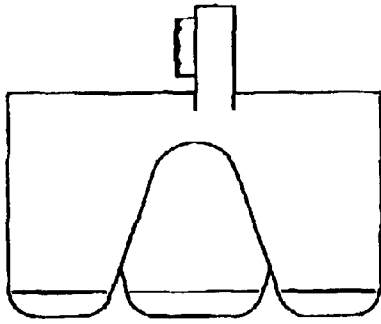
*FIG. 2*



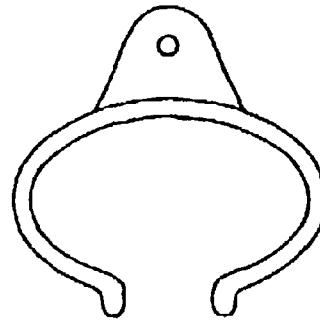
*FIG. 3*



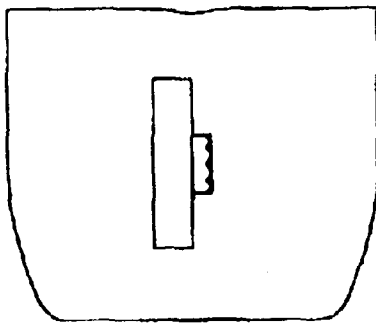
*FIG. 4*



*FIG. 5*



*FIG. 6*



*FIG. 7*

