



US00D862137S

(12) **United States Design Patent**
Amrine et al.

(10) **Patent No.:** **US D862,137 S**

(45) **Date of Patent:** **** Oct. 8, 2019**

- (54) **DISPLAY RACK**
- (71) Applicant: **Dimex Office Products LLC**, Marietta, OH (US)
- (72) Inventors: **Patrick Amrine**, Williamstown, WV (US); **Andy Antil**, Pickerington, OH (US); **Kevin Morey**, Marietta, OH (US); **Forrest Adam Sanders**, Marietta, OH (US)
- (73) Assignee: **Dimex Office Products LLC**, Marietta, OH (US)

920,962 A 5/1909 Kepke
 1,240,611 A * 9/1917 Smith et al. A47G 25/0685 211/48
 1,613,041 A * 1/1927 Lowe A47F 7/16 211/48
 2,023,866 A 12/1935 Best
 D157,466 S * 2/1950 Bornstein et al. D6/548
 2,913,123 A * 11/1959 Lundberg A47B 97/02 211/48
 3,168,276 A 2/1965 Schneider
 3,207,319 A 9/1965 Best
 3,568,852 A 3/1971 Howard
 (Continued)

(**) Term: **15 Years**

(21) Appl. No.: **29/572,028**

(22) Filed: **Jul. 25, 2016**

(51) **LOC (12) Cl.** **06-04**
 (52) **U.S. Cl.**
 USPC **D6/681**

(58) **Field of Classification Search**
 USPC D6/315, 322, 324, 327, 672, 679, 680,
 D6/680.3, 681, 681.1, 681.3, 682.5,
 D6/682.6, 548, 566, 567, 569, 571
 CPC A47F 7/16; A47F 7/0042; A47F 5/0006;
 A47F 7/02
 See application file for complete search history.

(56) **References Cited**

U.S. PATENT DOCUMENTS

487,110 A * 11/1892 Best et al. A47F 7/16 211/48
 951,170 A 6/1900 Thomas
 696,341 A * 3/1902 Johnson et al. A47F 7/16 211/48
 722,568 A * 3/1903 Davy et al. A47F 7/16 211/48
 819,989 A 5/1906 Gilbert
 890,929 A 6/1908 Roush, Jr. et al.
 914,469 A * 3/1909 Weaver et al. A47F 7/16 211/47

FOREIGN PATENT DOCUMENTS

DE 9300622 U1 3/1993
 FR 2468342 A3 5/1981

OTHER PUBLICATIONS

Office Action, U.S. Appl. No. 15/343,249, 18 pgs., dated May 22, 2018.

Primary Examiner — John Windmuller
Assistant Examiner — Steven J Czyz
 (74) *Attorney, Agent, or Firm* — Wood Herron & Evans LLP

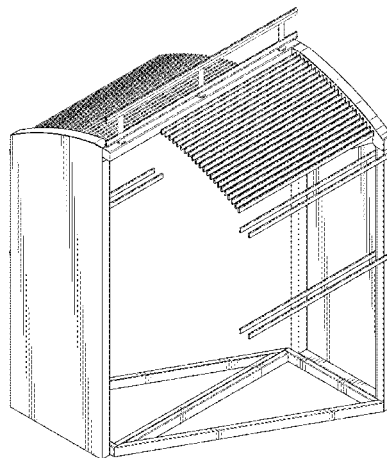
(57) **CLAIM**

The ornamental design for a display rack, as shown and described.

DESCRIPTION

FIG. 1 is a top isometric view of a display rack showing our new design;
 FIG. 2 is a front view thereof, with the rear being a mirror image thereof;
 FIG. 3 is a left side view thereof, with the right side view being a mirror image thereof; and,
 FIG. 4 is a top view thereof.

1 Claim, 4 Drawing Sheets



(56)

References Cited

U.S. PATENT DOCUMENTS

D225,141 S *	11/1972	Acton et al.	D6/681.3	D475,792 S	6/2003	Robbins, III	
3,871,524 A	3/1975	Helf		D478,761 S	8/2003	Robbins, III	
4,127,195 A *	11/1978	Portnoy	A47K 10/04 211/100	D498,087 S *	11/2004	Stein	D6/679
D253,450 S *	11/1979	Butcher	D6/682.6	6,942,112 B2	9/2005	Robbins, III	
4,340,633 A	7/1982	Robbins, Jr.		6,946,184 B2	9/2005	Robbins, III	
4,361,241 A	11/1982	Stoddard		7,029,743 B2	4/2006	Robbins, III	
4,366,908 A *	1/1983	Anderson	A47B 96/061 211/87.01	D521,769 S *	5/2006	Israel	D6/681.1
4,503,979 A *	3/1985	Morand	B42F 15/06 211/45	D522,299 S	6/2006	Robbins, III	
4,620,635 A *	11/1986	Morand	B42F 15/06 211/116	D534,373 S	1/2007	Robbins, III	
4,723,665 A *	2/1988	Benedict	A47B 61/02 211/168	D536,906 S	2/2007	Robbins, III	
D329,952 S *	10/1992	Walter	248/165	D549,003 S *	8/2007	Biser	D6/679
D329,953 S *	10/1992	Walter	248/165	D584,905 S *	1/2009	Kiska	D6/679
5,152,404 A	10/1992	Salrin et al.		D586,601 S	2/2009	Robbins, III	
D330,988 S	11/1992	Robbins, III		D591,991 S *	5/2009	Cohen	D6/548
5,657,881 A *	8/1997	Fourel	A47F 5/0006 211/60.1	D594,263 S	6/2009	Robbins, III	
D383,327 S *	9/1997	Loflin	D6/566	D617,593 S *	6/2010	Cohen	D6/548
6,308,842 B1 *	10/2001	Robbins	A47F 5/0006 206/494	D625,530 S	10/2010	Robbins, III	
D450,200 S *	11/2001	Lowe	D6/681.1	D628,407 S	12/2010	Robbins, III	
6,340,092 B1 *	1/2002	McGrath, Jr.	A47F 7/0042 211/169	D630,454 S *	1/2011	Kiska	D6/679
6,394,286 B1 *	5/2002	Dueck	A47F 7/166 211/1.57	D630,865 S *	1/2011	Robbins, III	D6/681.3
D472,419 S	4/2003	Robbins, III		D637,852 S	5/2011	Black, Jr. et al.	
				D653,050 S *	1/2012	Nowak	D6/679
				8,464,879 B2 *	6/2013	Black, Jr.	A47F 7/0014 211/181.1
				D703,409 S	4/2014	Robbins, III et al.	
				8,720,706 B2	5/2014	Robbins, III et al.	
				D706,058 S	6/2014	Robbins, III et al.	
				D713,654 S	9/2014	Robbins, III et al.	
				D727,632 S *	4/2015	Sanchez	D6/323
				D751,784 S	3/2016	Robbins, III	
				D755,538 S	5/2016	Robbins, III	
				D788,490 S *	6/2017	Klein	D6/548
				2018/0125264 A1 *	5/2018	Amrine	A47F 7/163

* cited by examiner

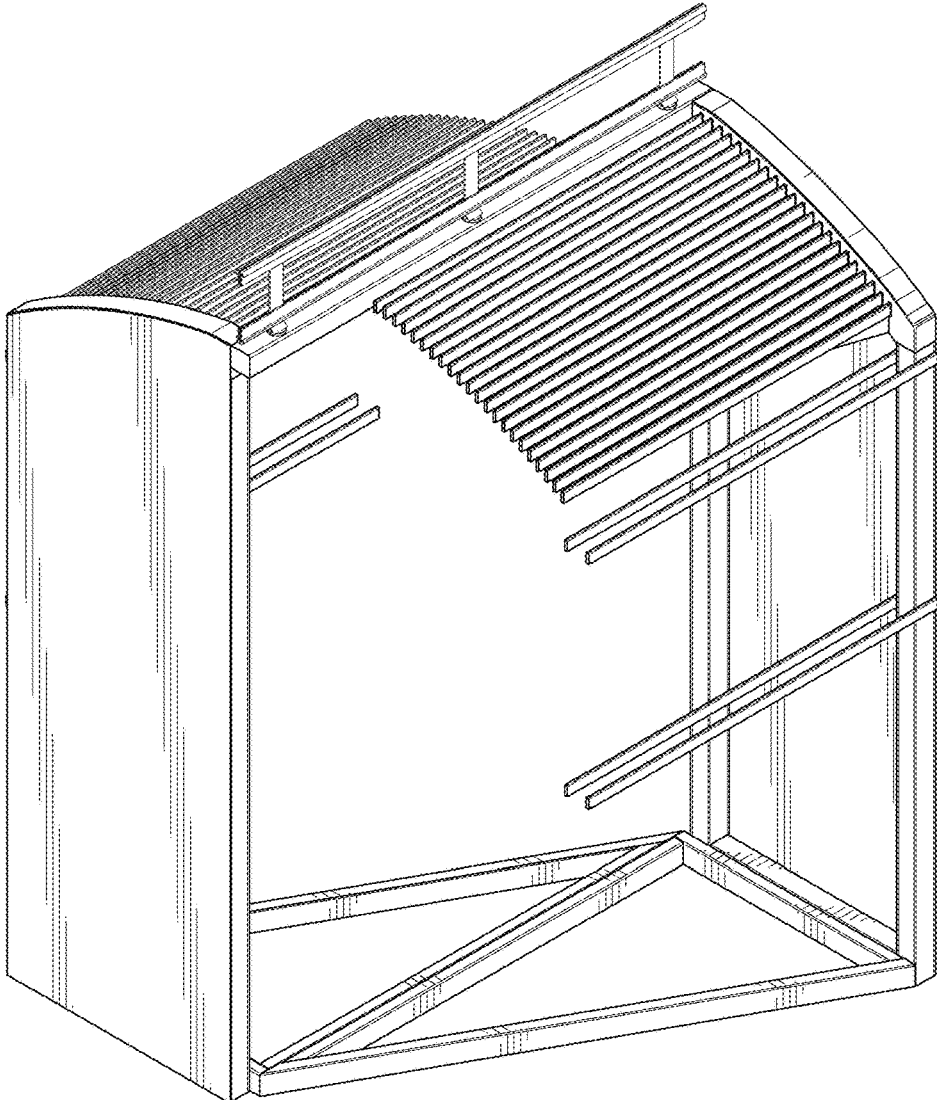


FIG. 1

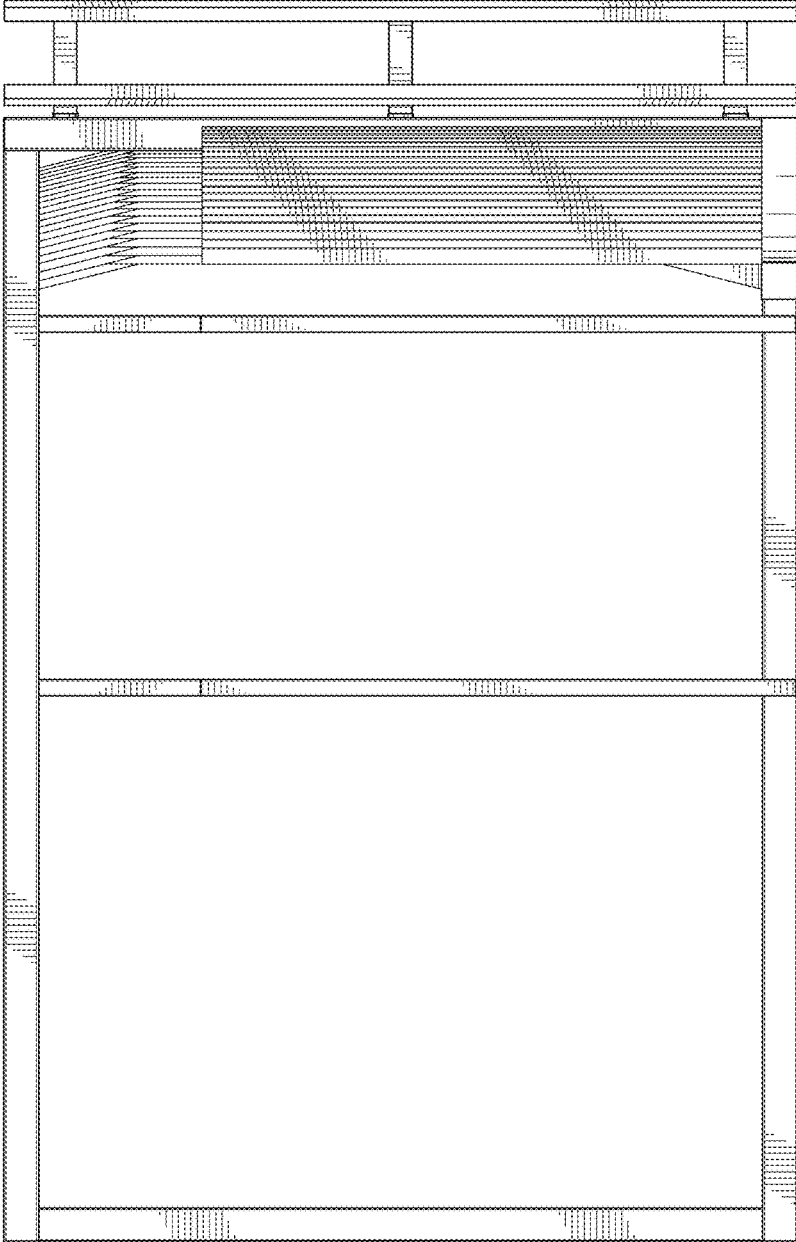


FIG. 2

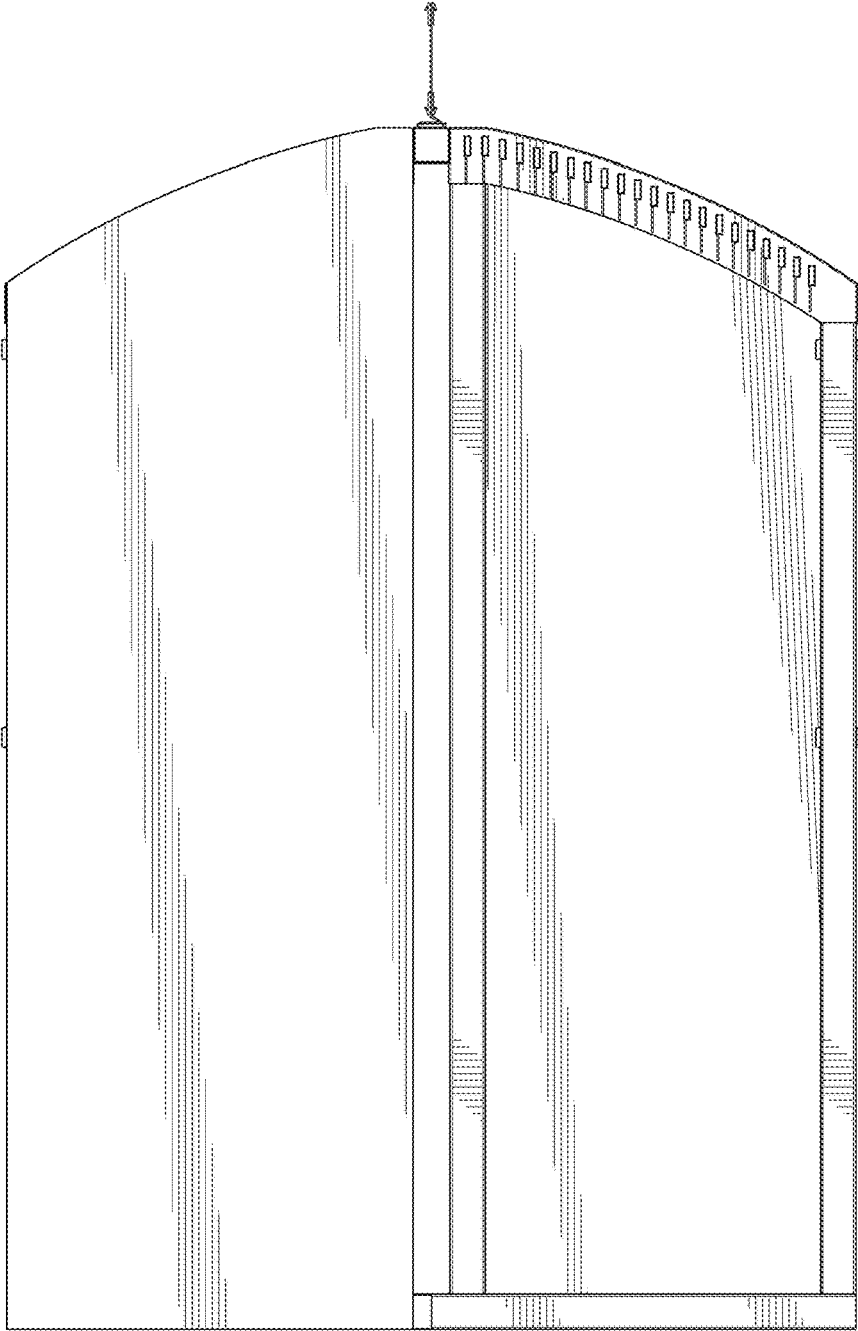


FIG. 3

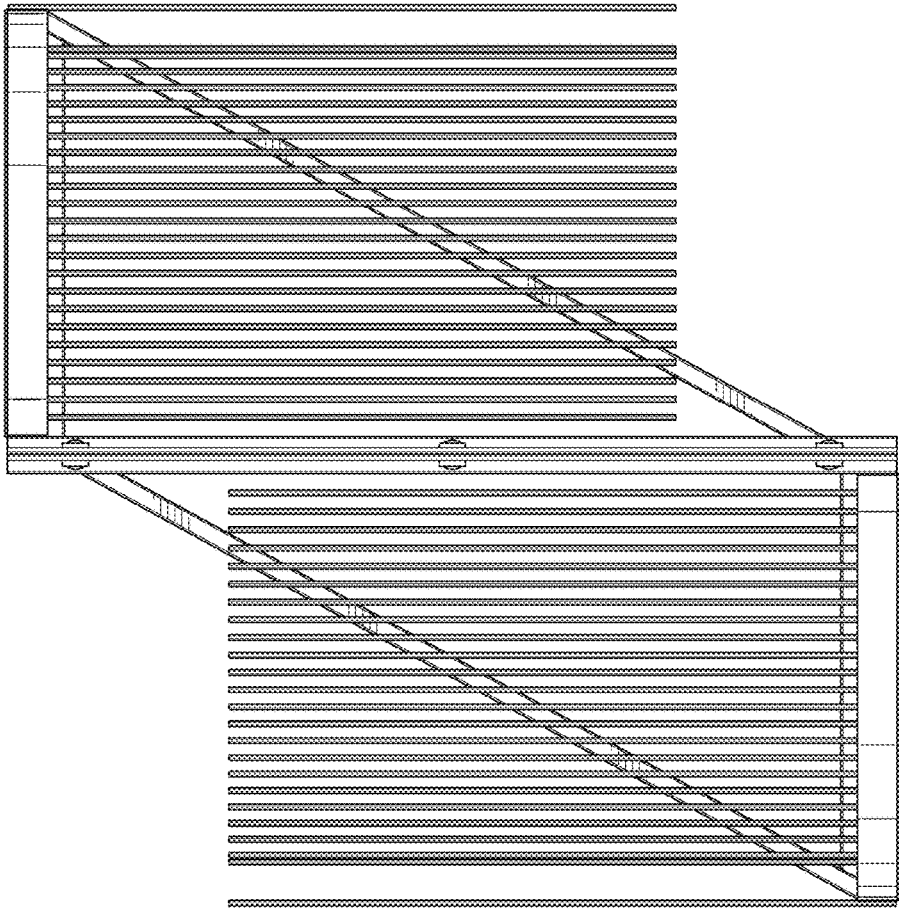


FIG. 4