

(12) **United States Design Patent** (10) **Patent No.:** **US D820,818 S**
Heckler (45) **Date of Patent:** **** Jun. 19, 2018**

(54) **AV CART FOR MULTIPLE SCREEN FLAT PANEL DISPLAY**

(71) Applicant: **Hecktech, Inc.**, Phoenix, AZ (US)

(72) Inventor: **Dean Heckler**, Phoenix, AZ (US)

(73) Assignee: **Hecktech, Inc.**, Phoenix, AZ (US)

(**) Term: **15 Years**

(21) Appl. No.: **29/592,886**

(22) Filed: **Feb. 3, 2017**

(51) **LOC (11) CL.** **14-03**

(52) **U.S. CL.**
 USPC **D14/239**

(58) **Field of Classification Search**
 USPC D14/239, 371, 136, 374-377; D8/363,
 D8/373, 349, 394; 248/465, 917-924,
 (Continued)

(56) **References Cited**

U.S. PATENT DOCUMENTS

D333,933 S * 3/1993 Feinbloom D6/681
 D615,072 S * 5/2010 Saitou D14/239
 (Continued)

Primary Examiner — Randall H Gholson

(74) *Attorney, Agent, or Firm* — Hartman Titus PLC;
 John D. Titus

(57) **CLAIM**

The ornamental design for a AV cart for multiple screen flat panel display, as shown.

DESCRIPTION

FIG. 1 is a front perspective view of an AV cart for multiple screen flat panel display showing an embodiment of my new design;

FIG. 2 is a rear perspective view of the AV cart for multiple screen flat panel display shown in FIG. 1;

FIG. 3 is a top view of the AV cart for multiple screen flat panel display shown in FIG. 1;

FIG. 4 is bottom view of the AV cart for multiple screen flat panel display shown in FIG. 1;

FIG. 5 is a right-side view of the AV cart for multiple screen flat panel display shown in FIG. 1;

FIG. 6 is a left-side view of the AV cart for multiple screen flat panel display shown in FIG. 1, together with optional equipment;

FIG. 7 is a front view of the AV cart for multiple screen flat panel display shown in FIG. 1;

FIG. 8 is a rear view of the AV cart for multiple screen flat panel display shown in FIG. 1.

FIG. 9 is an additional front perspective view of the AV cart for multiple screen flat panel display shown in FIG. 1, together with optional equipment; and

FIG. 10 is a rear perspective view of the AV cart for multiple screen flat panel display shown in FIG. 1 together with additional identical copies of the AV cart for multiple screen flat panel display shown in FIG. 1;

FIG. 11 is a front perspective view of an alternative embodiment of an AV cart for multiple screen flat panel display in which the rectangular tubes do not have mitered corners;

FIG. 12 is a rear perspective view of the of the AV cart for multiple screen flat panel display shown in FIG. 11;

FIG. 13 is a top view of the of the AV cart for multiple screen flat panel display shown in FIG. 11;

FIG. 14 is bottom view of the of the AV cart for multiple screen flat panel display shown in FIG. 11;

FIG. 15 is a right-side view of the of the AV cart for multiple screen flat panel display shown in FIG. 11;

FIG. 16 is a left-side view of the of the AV cart for multiple screen flat panel display shown in FIG. 11, together with optional equipment;

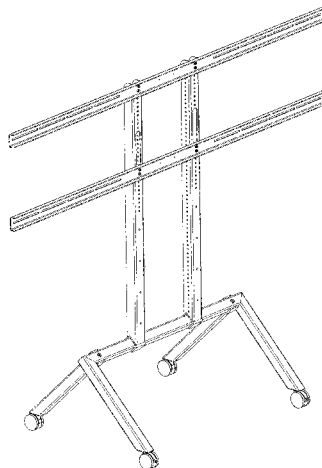
FIG. 17 is a front view of the of the AV cart for multiple screen flat panel display shown in FIG. 11;

FIG. 18 is a rear view of the of the AV cart for multiple screen flat panel display shown in FIG. 11.

FIG. 19 is an additional front perspective view of the of the AV cart for multiple screen flat panel display shown in FIG. 11, together with optional equipment; and,

FIG. 20 is a rear perspective view of the AV cart for multiple screen flat panel display shown in FIG. 11 together with

(Continued)



additional identical copies of the AV cart for multiple screen flat panel display shown in FIG. 11;

The broken lines in the drawings showing additional AV carts for multiple screen flat panel display and optional equipment illustrate environment and forms no part of the claimed design.

1 Claim, 18 Drawing Sheets

(58) **Field of Classification Search**

USPC ... 248/123.11; 348/825, 827, 836, 837, 838,
348/180, 184, 325, 739; 600/443;
D6/477-479, 407, 474, 460, 461, 468;
312/7.2; 341/12; 345/87, 104, 133, 156,
345/168, 169, 173; 720/605, 669, 600,
720/655; 369/99, 197; 455/344-347;
349/1, 2, 11, 62; 108/59, 91, 92, 96;
211/40, 41.12, 42, 49.1, 50, 85.2, 90.04,
211/187, 190, 119.003, 134.153, 87.01,
211/71.01
CPC A47B 43/00; G03B 1/00
See application file for complete search history.

(56) **References Cited**

U.S. PATENT DOCUMENTS

D643,027 S * 8/2011 Calco D14/239
D712,691 S * 9/2014 Xiang D6/678.1
D721,159 S * 1/2015 Reneau D22/108

* cited by examiner

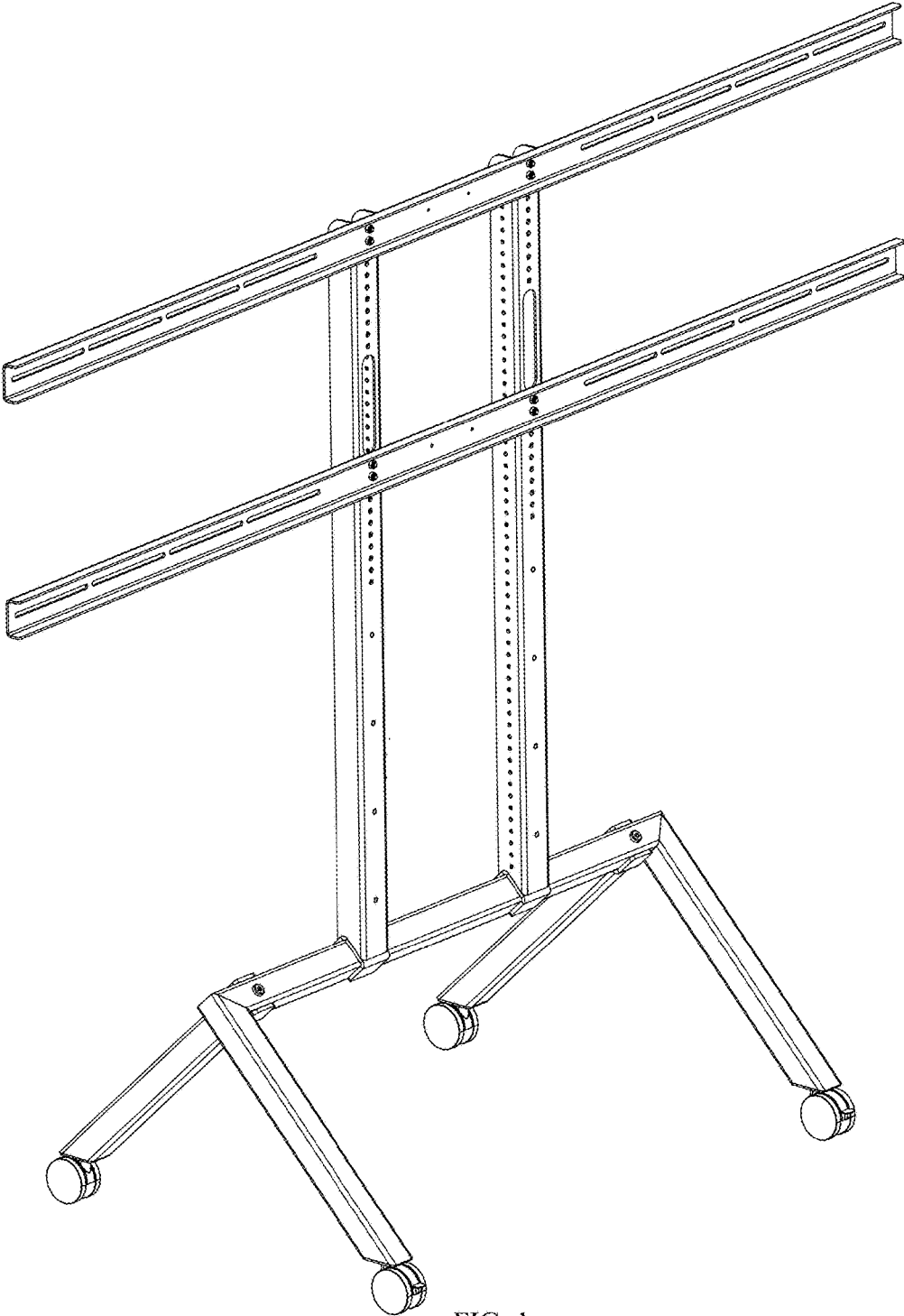


FIG. 1

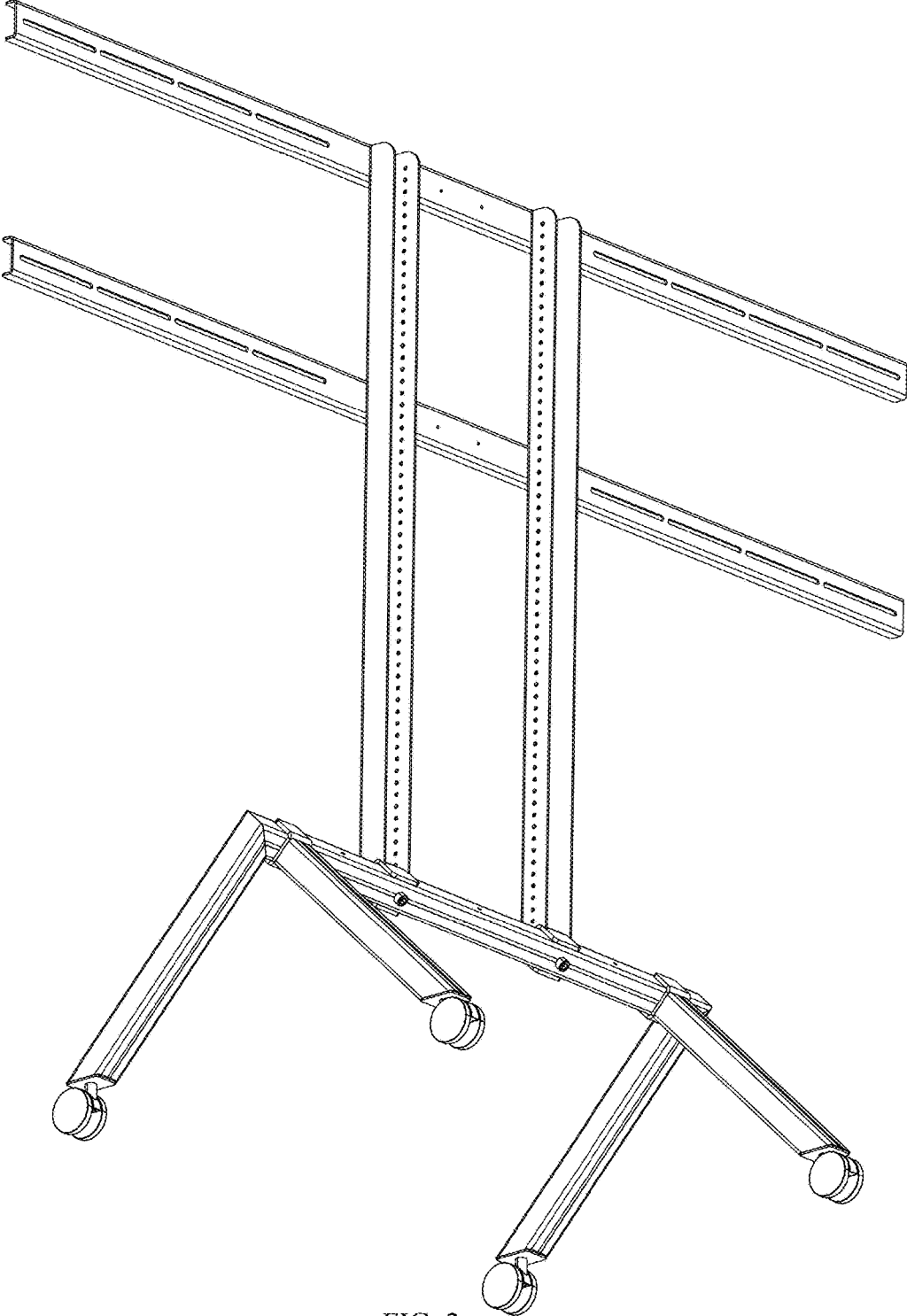


FIG. 2

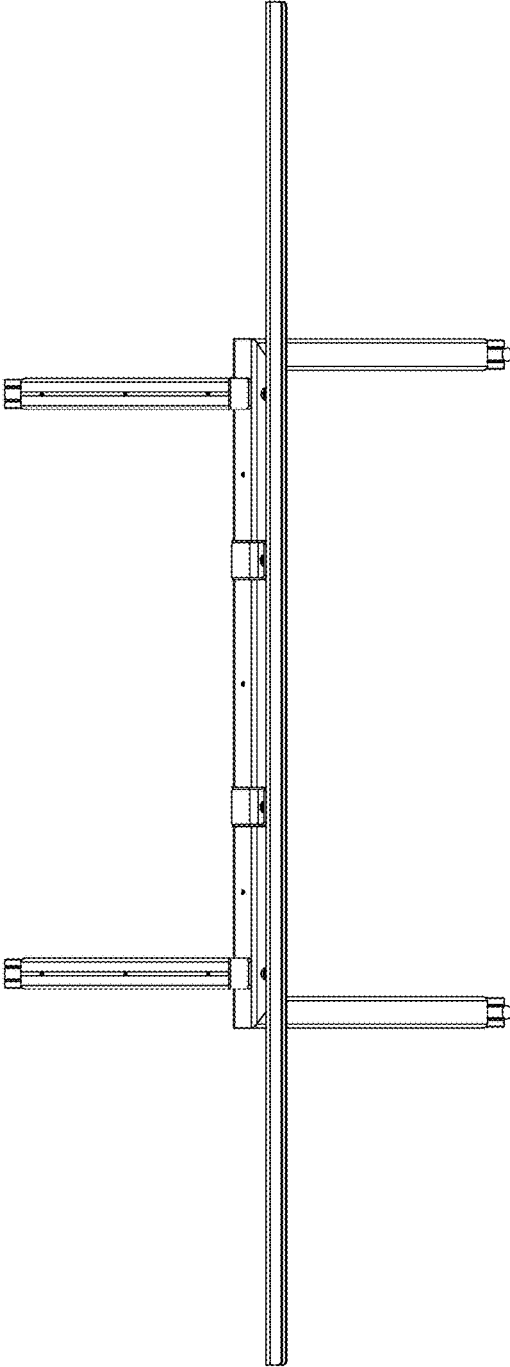


FIG. 3

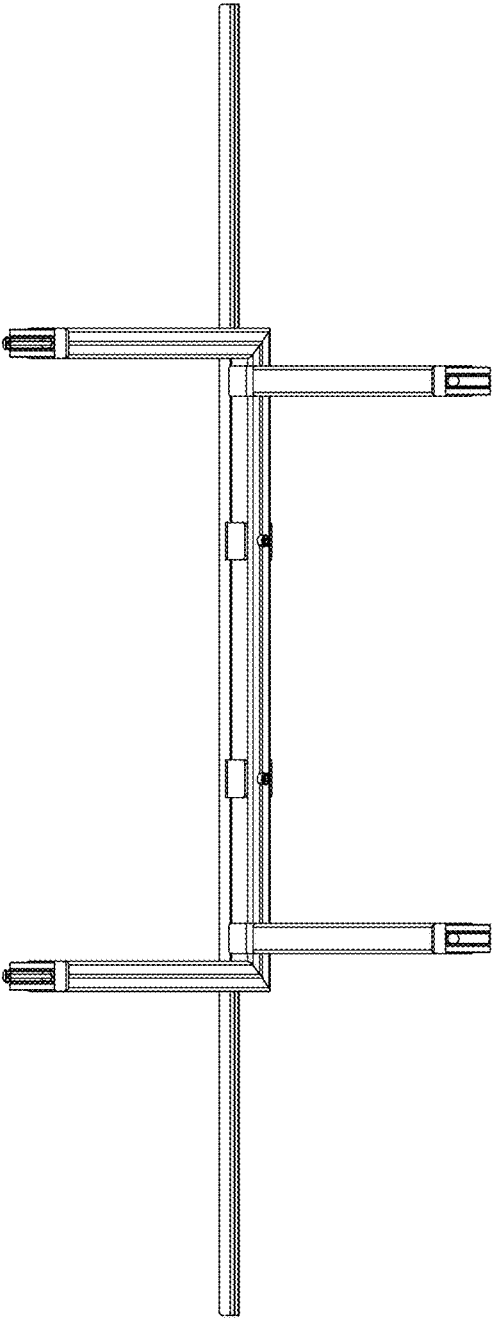


FIG. 4

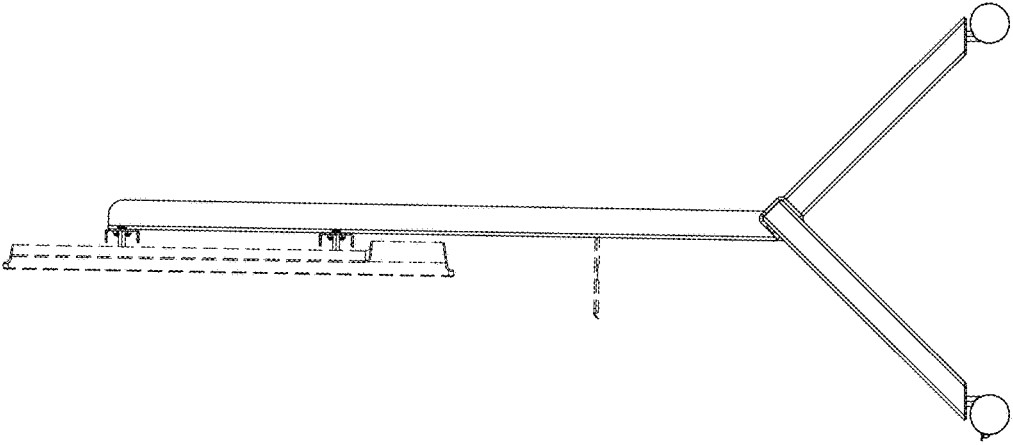


FIG. 6

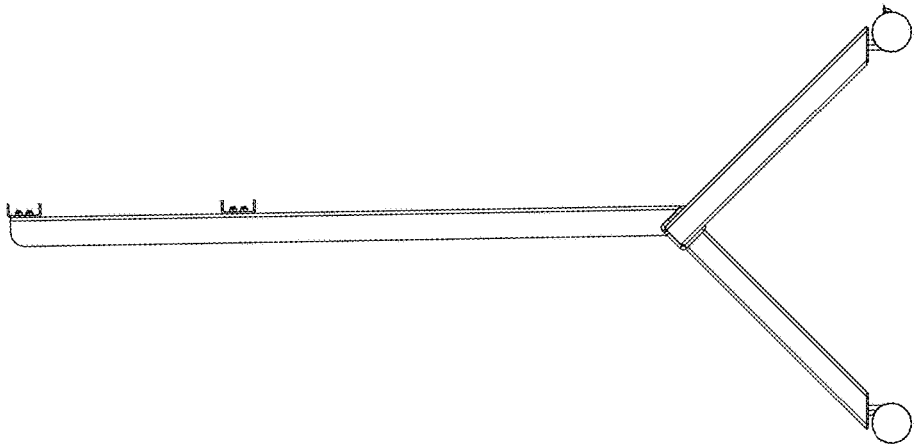


FIG. 5

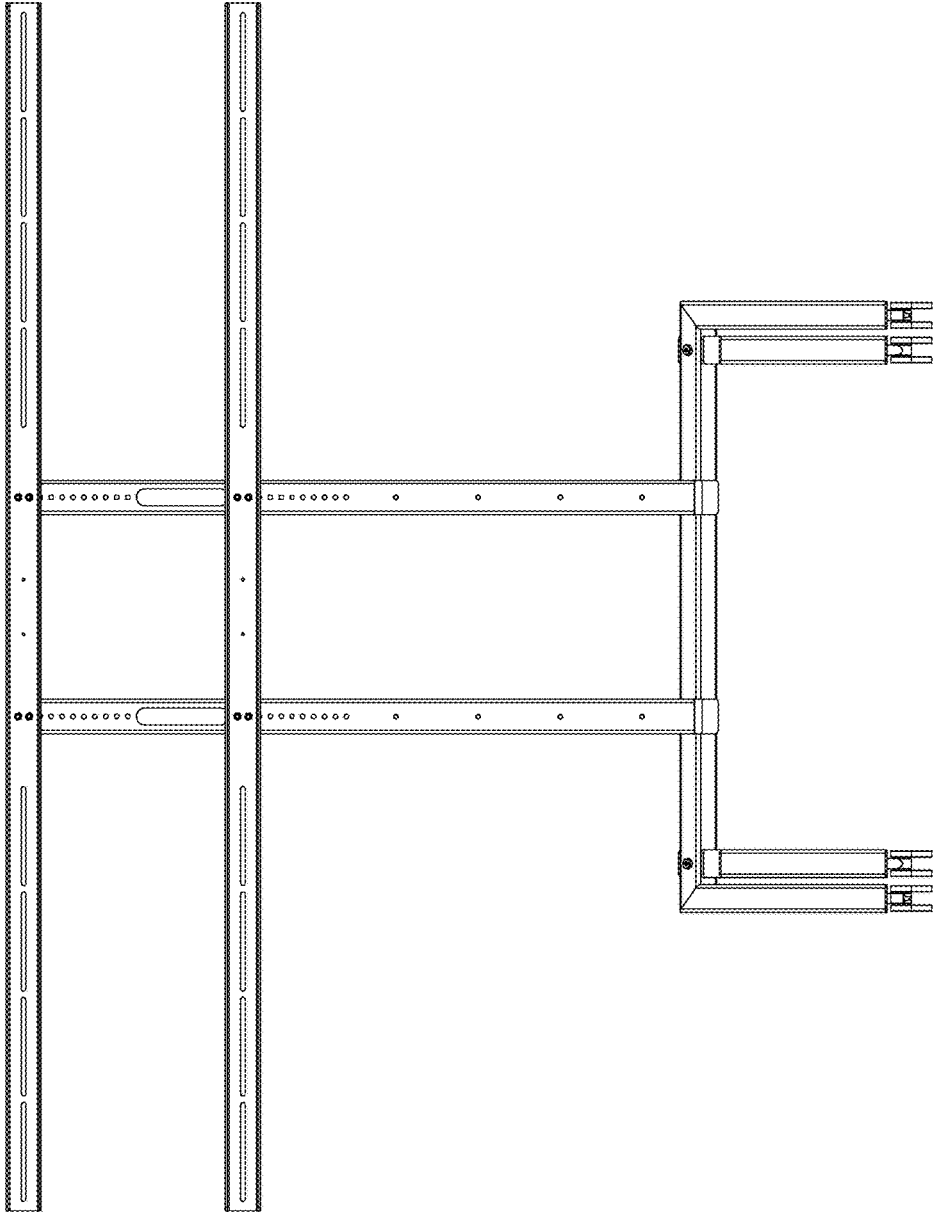


FIG. 7

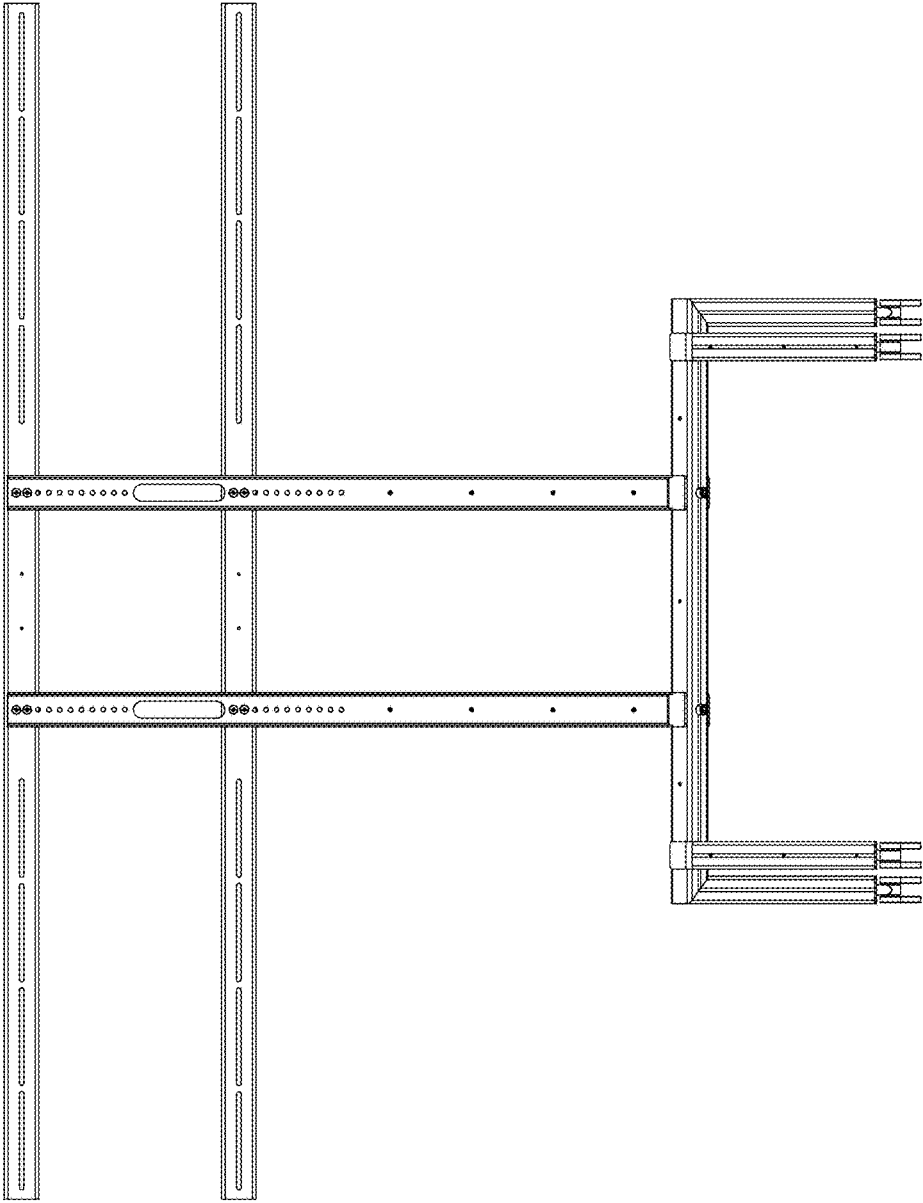


FIG. 8

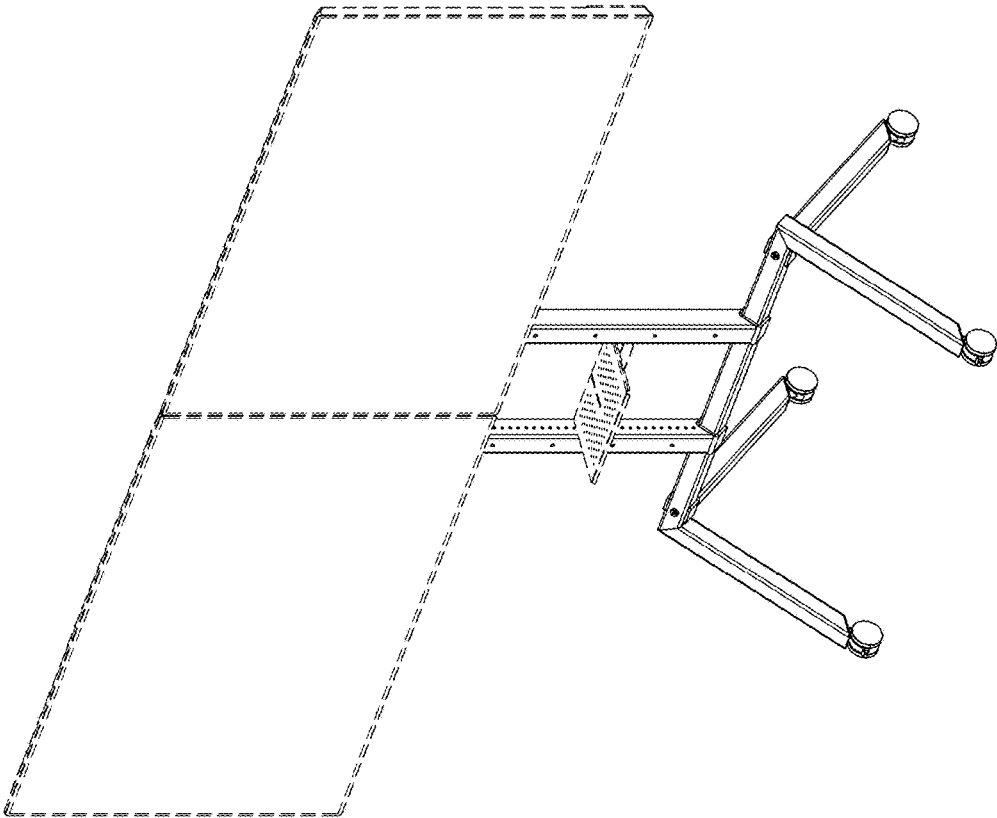


FIG. 9

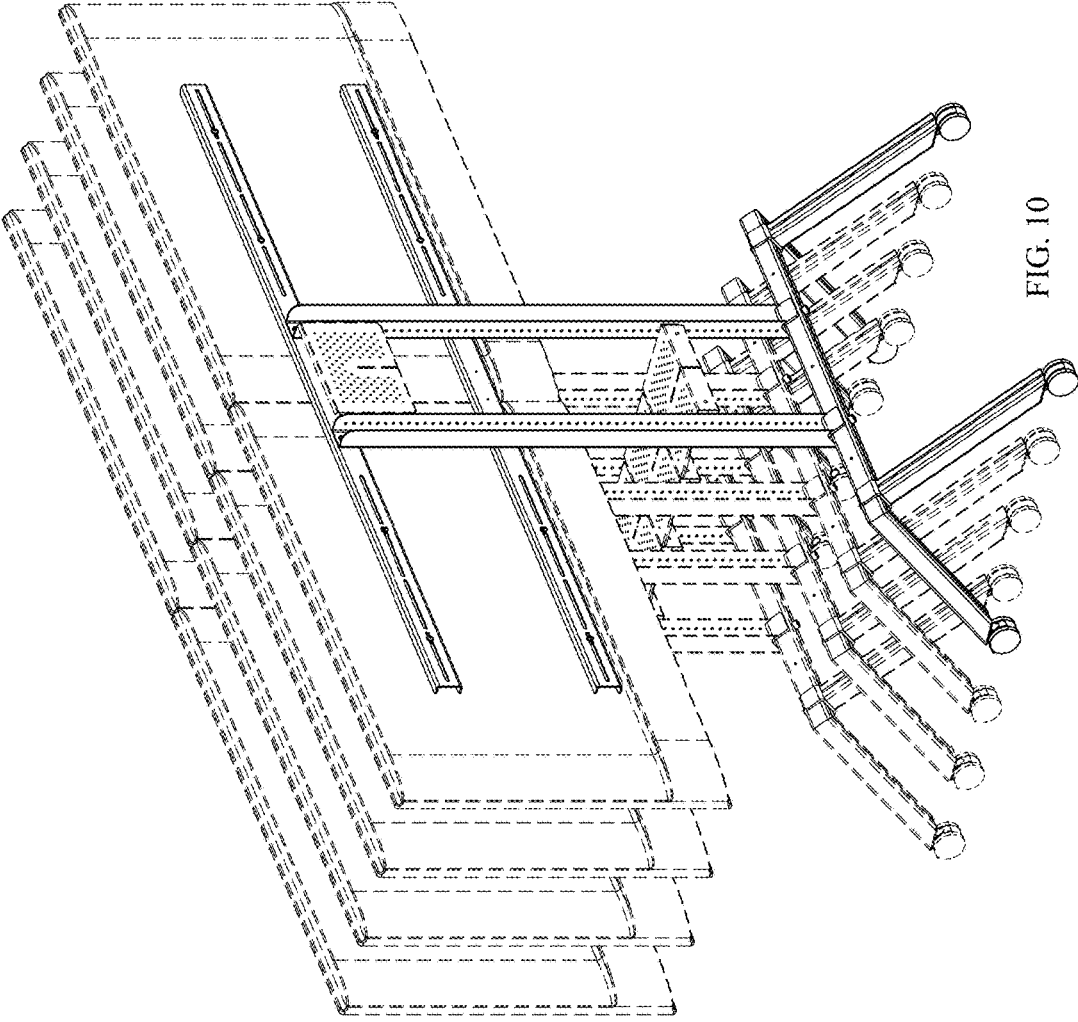


FIG. 10

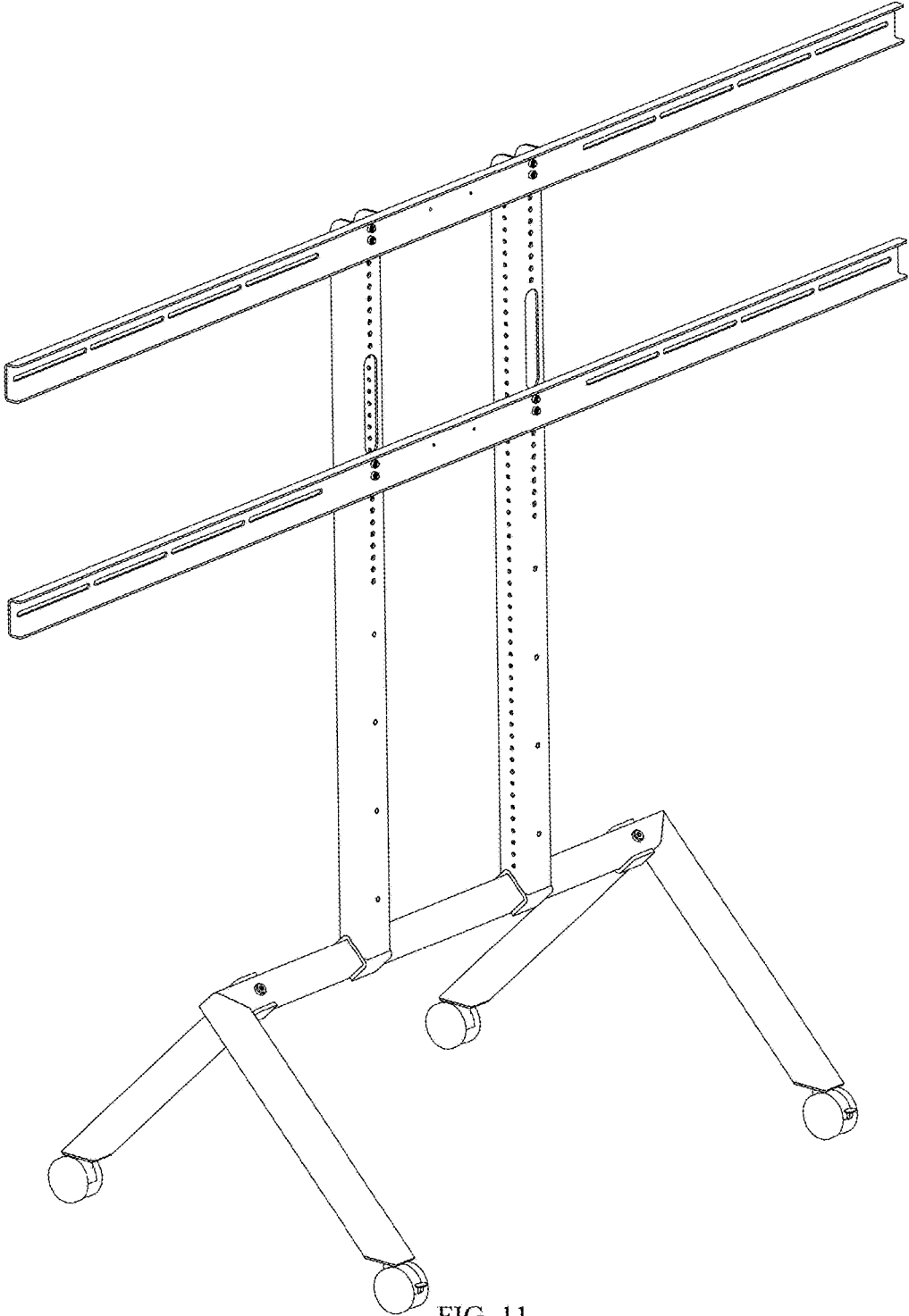


FIG. 11

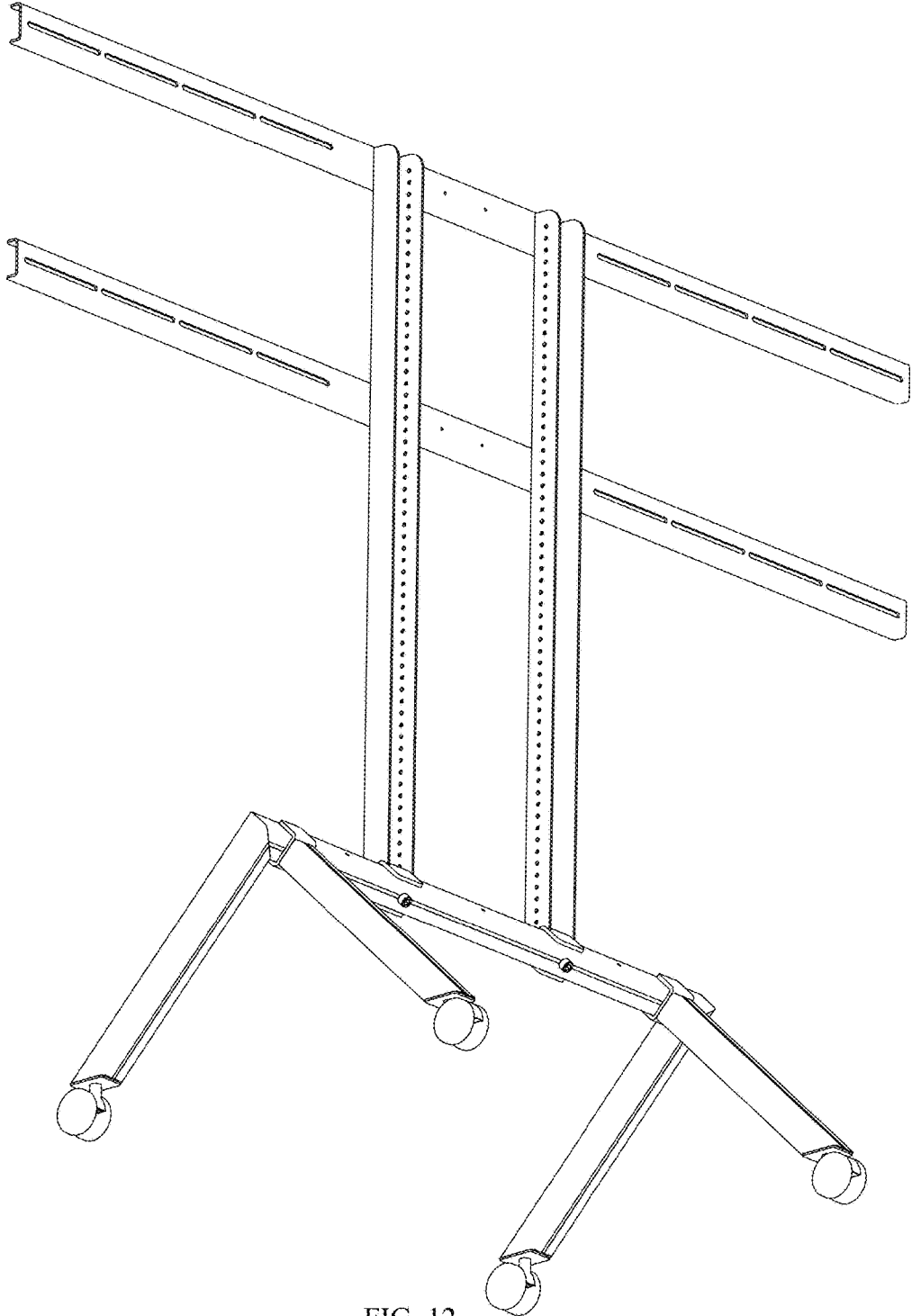


FIG. 12

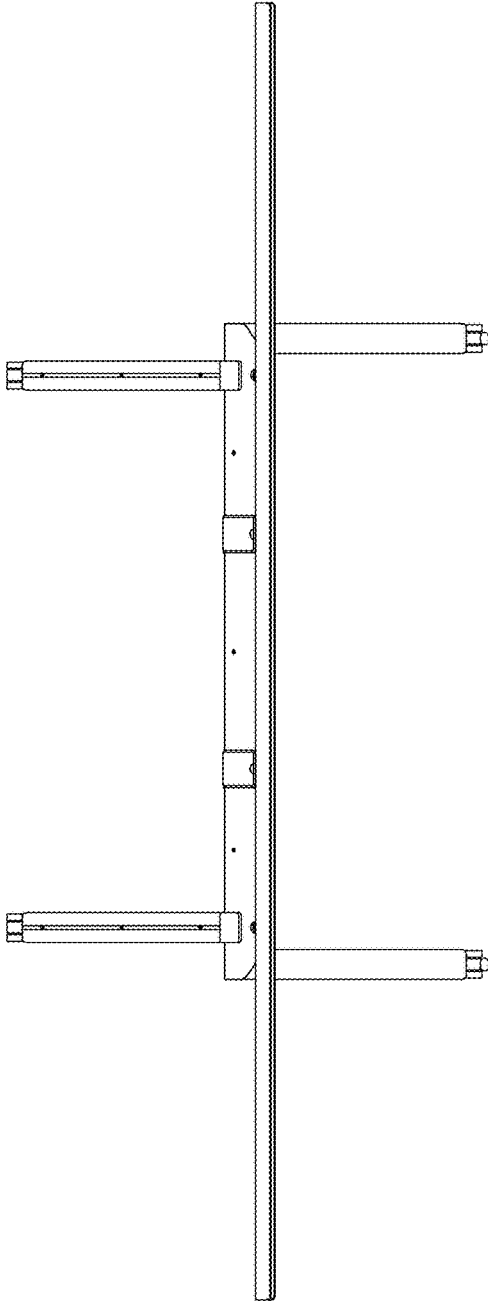


FIG. 13

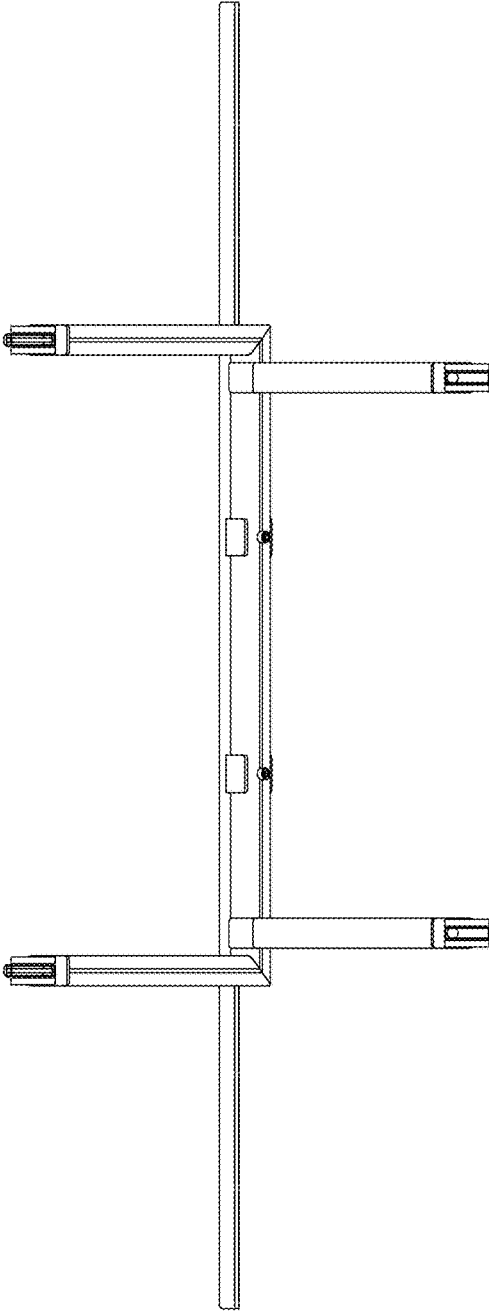


FIG. 14

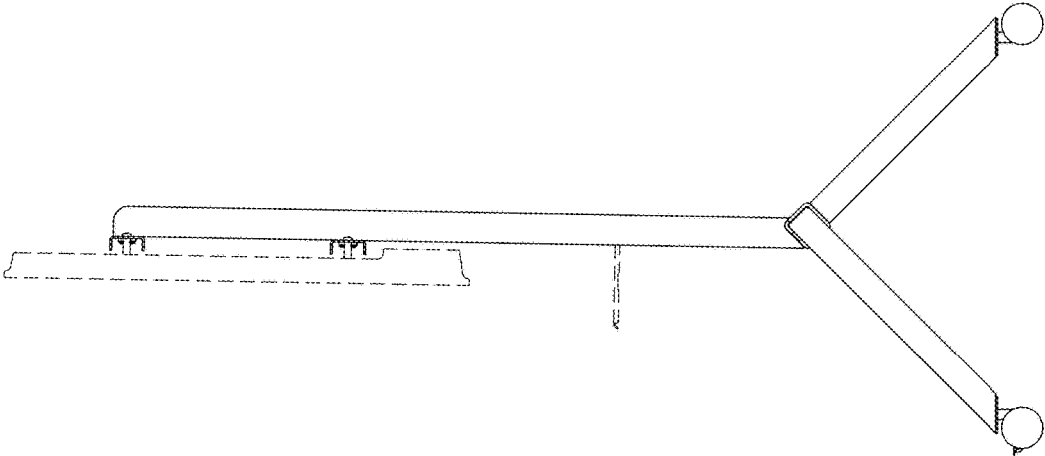


FIG. 16

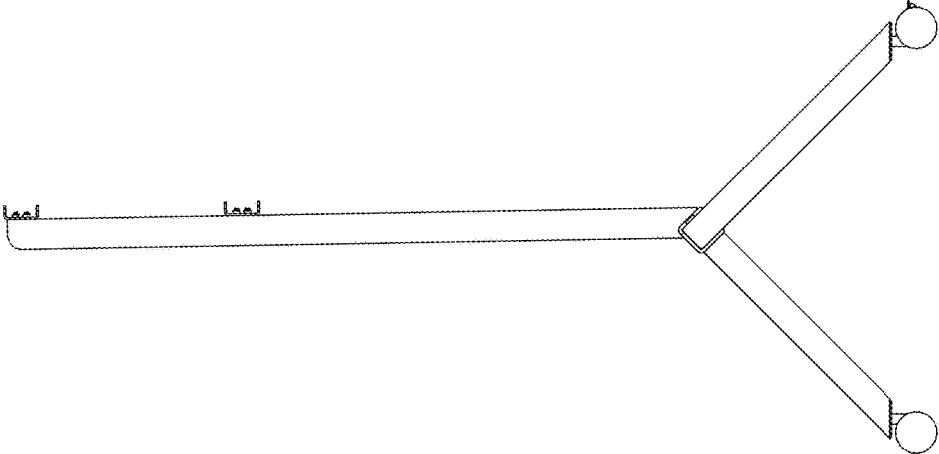


FIG. 15

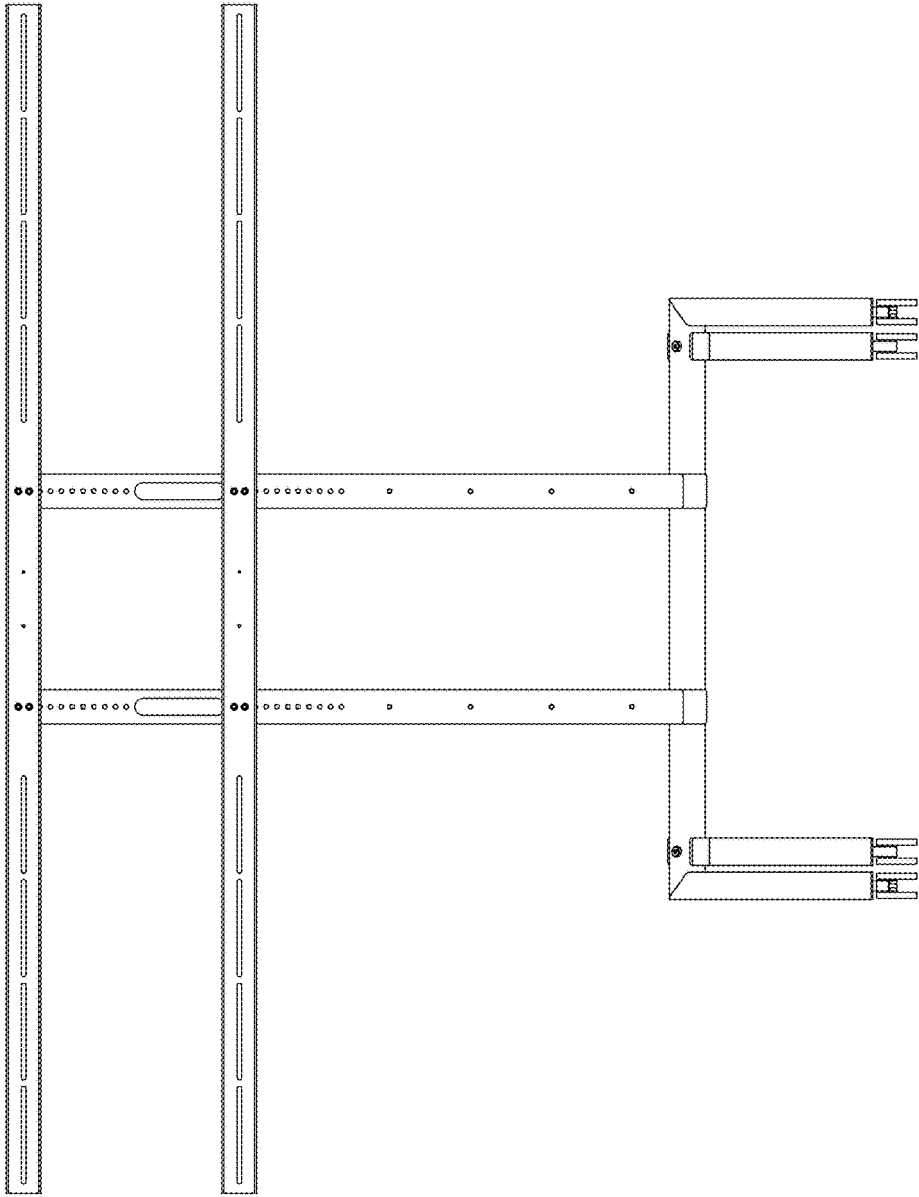


FIG. 17

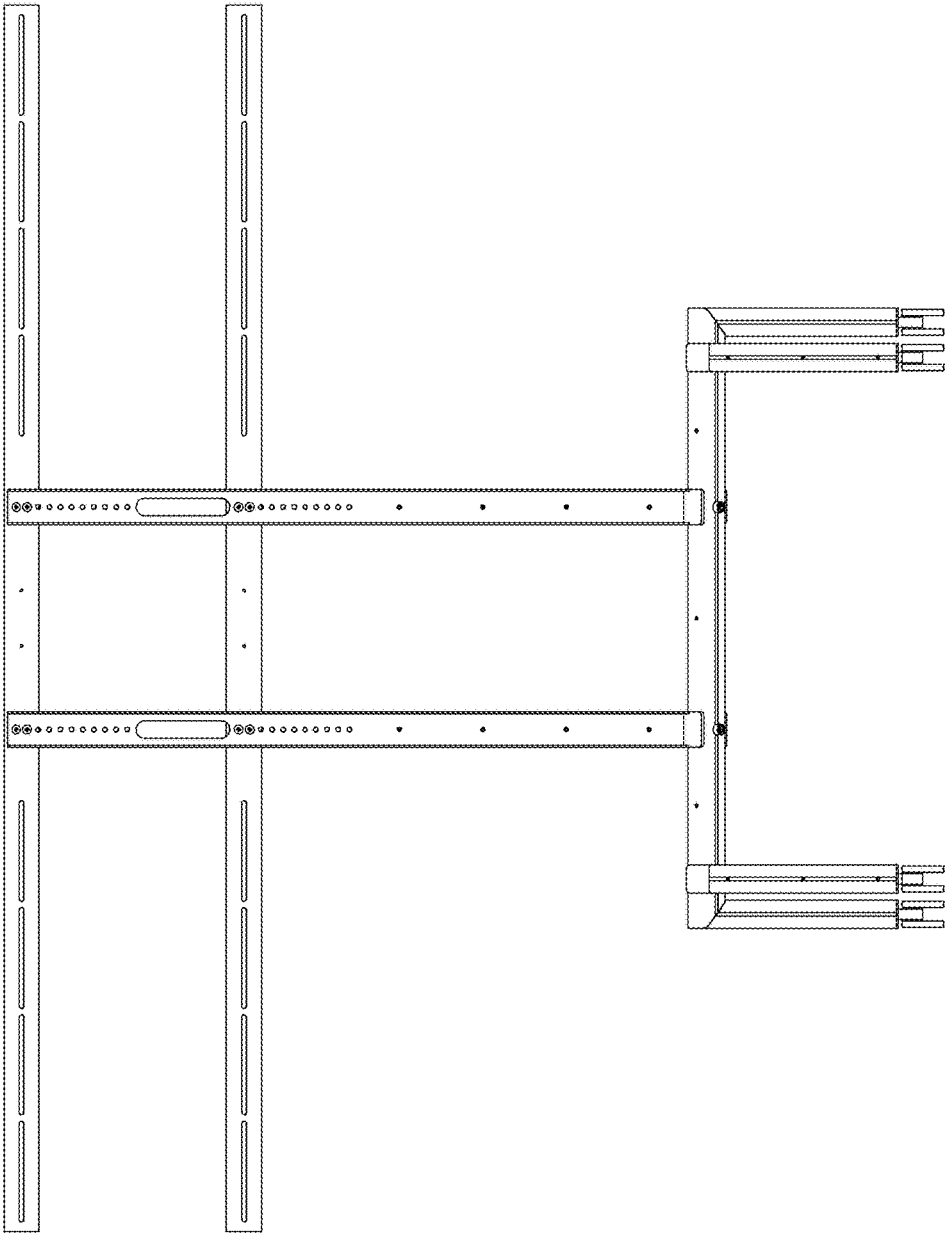


FIG. 18

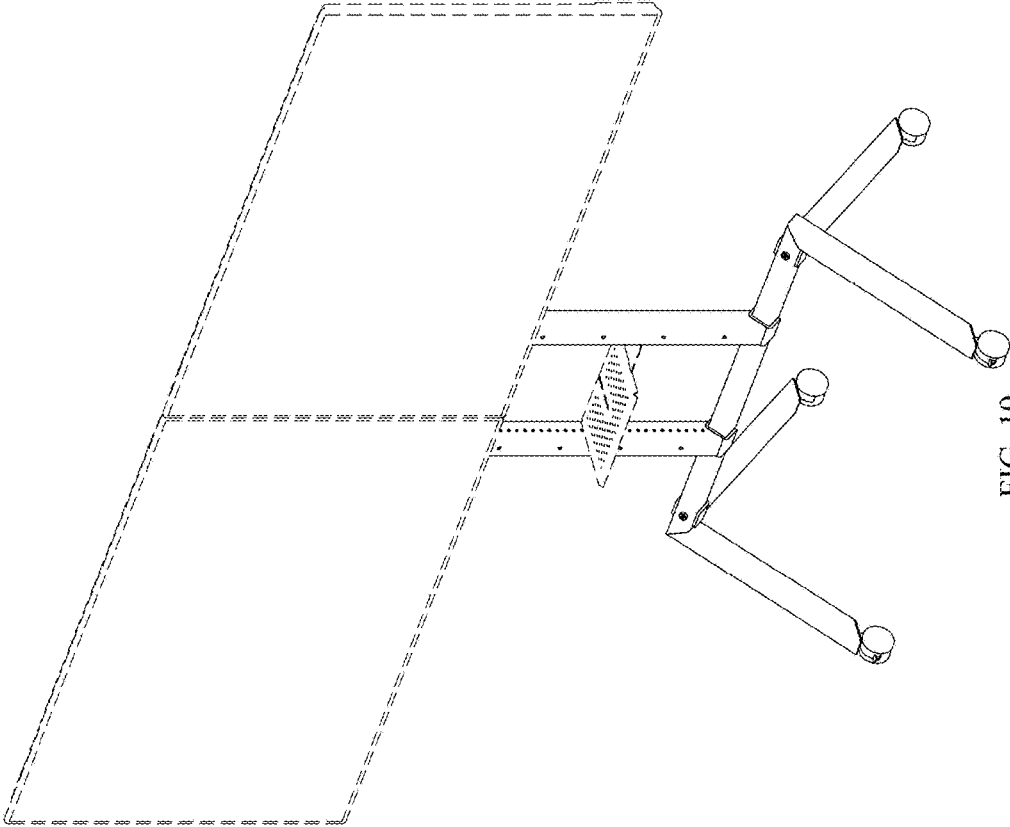


FIG. 19

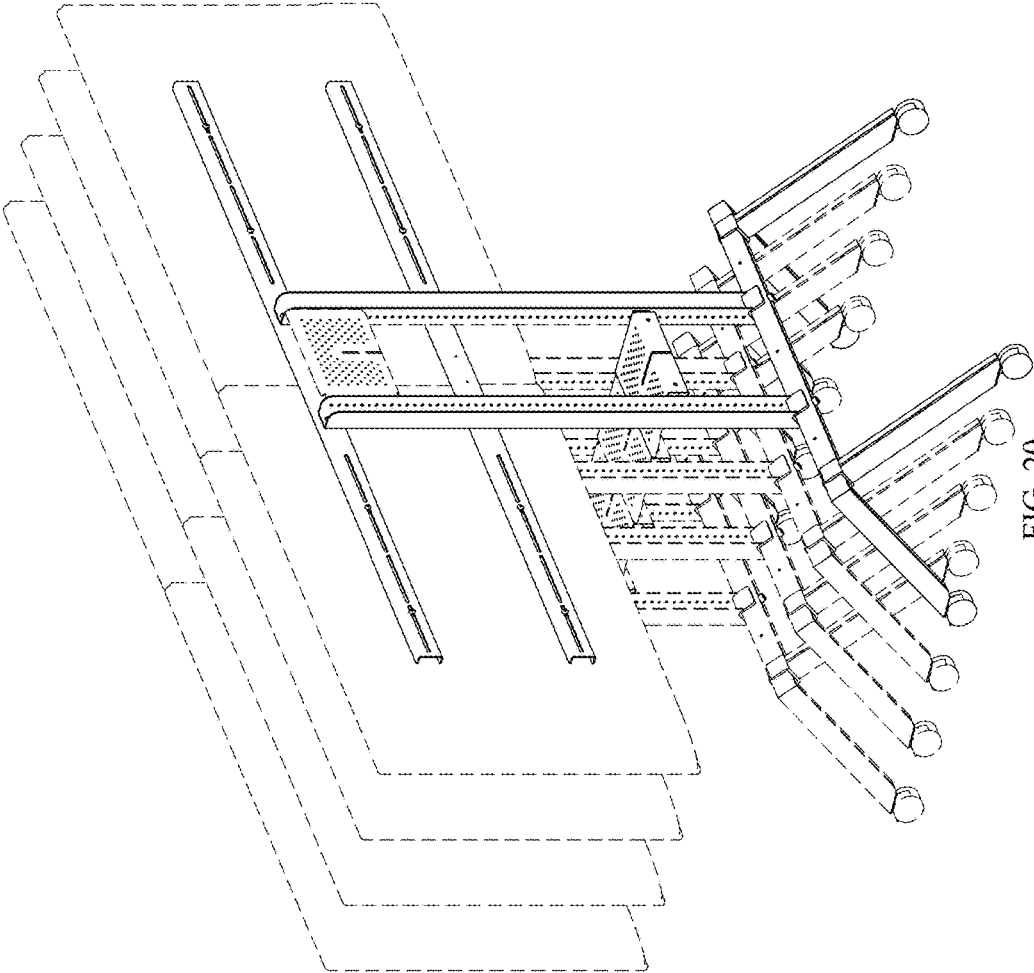


FIG. 20