



US00D720597S

(12) **United States Design Patent**
Krohn

(10) **Patent No.:** **US D720,597 S**

(45) **Date of Patent:** **** Jan. 6, 2015**

(54) **COUPLER LOCK**

(71) Applicant: **Cequent Consumer Products, Inc.**,
Solon, OH (US)

(72) Inventor: **Joshua James Krohn**, Cuyahoga Falls,
OH (US)

(73) Assignee: **Cequent Consumer Products, Inc.**,
Solon, OH (US)

(**) Term: **14 Years**

(21) Appl. No.: **29/466,075**

(22) Filed: **Sep. 4, 2013**

(51) **LOC (10) Cl.** **08-07**

(52) **U.S. Cl.**
USPC **D8/330**

(58) **Field of Classification Search**
USPC D8/330-346, 349, 382, 383, 499;
70/57.1, 141, 333 R, 431, 465, 466;
280/455.1, 432, 417.1; 213/75 R, 79,
213/83, 100 R

See application file for complete search history.

(56) **References Cited**

U.S. PATENT DOCUMENTS

3,770,299	A *	11/1973	Murphy	280/507
4,711,106	A	12/1987	Johnson		
4,817,979	A	4/1989	Goettker		
5,154,440	A *	10/1992	Dolan et al.	280/507
D350,054	S *	8/1994	Richter	D8/331
5,382,109	A	1/1995	Nyman		

D417,133	S *	11/1999	Niswanger	D8/331
6,722,686	B2	4/2004	Koy		
7,165,426	B2	1/2007	Wyers		
7,255,362	B2	8/2007	Smith		
7,378,013	B2	5/2008	Sandler		
7,448,236	B2 *	11/2008	Recknagel et al.	70/34
7,588,262	B1	9/2009	Zilm		
D615,462	S *	5/2010	Barrette	D12/162
8,562,012	B2 *	10/2013	Wulff	280/456.1
2003/0047908	A1	3/2003	Lara		
2009/0267323	A1	10/2009	Belinky et al.		
2013/0187362	A1	7/2013	Stanifer et al.		

* cited by examiner

Primary Examiner — Prabhakar Deshmukh

(74) *Attorney, Agent, or Firm* — McDonald Hopkins LLC

(57) **CLAIM**

The ornamental design for a coupler lock, as shown and described.

DESCRIPTION

FIG. 1 is a perspective view of a coupler lock showing my new design;

FIG. 2 is front view thereof;

FIG. 3 is a rear view thereof;

FIG. 4 is a first side view thereof;

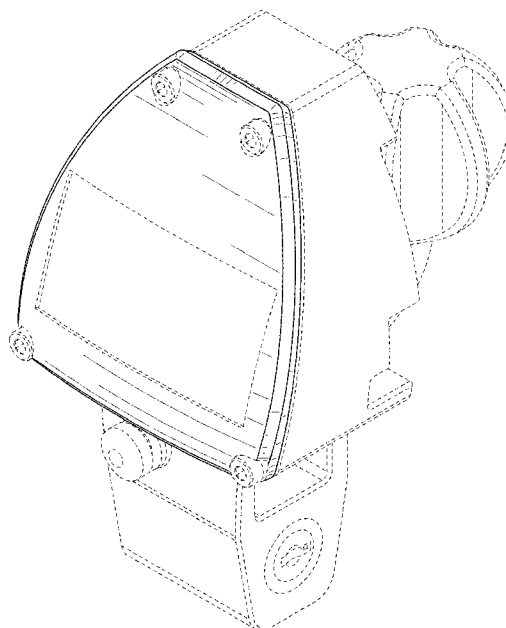
FIG. 5 is a second side view thereof;

FIG. 6 is a top side view thereof; and,

FIG. 7 is a bottom view thereof.

The broken lines adjacent to the shade lined indicate the boundary of the claimed design and form no part of the claimed design. All other broken lines illustrate the environment and form no part of the claimed design.

1 Claim, 4 Drawing Sheets



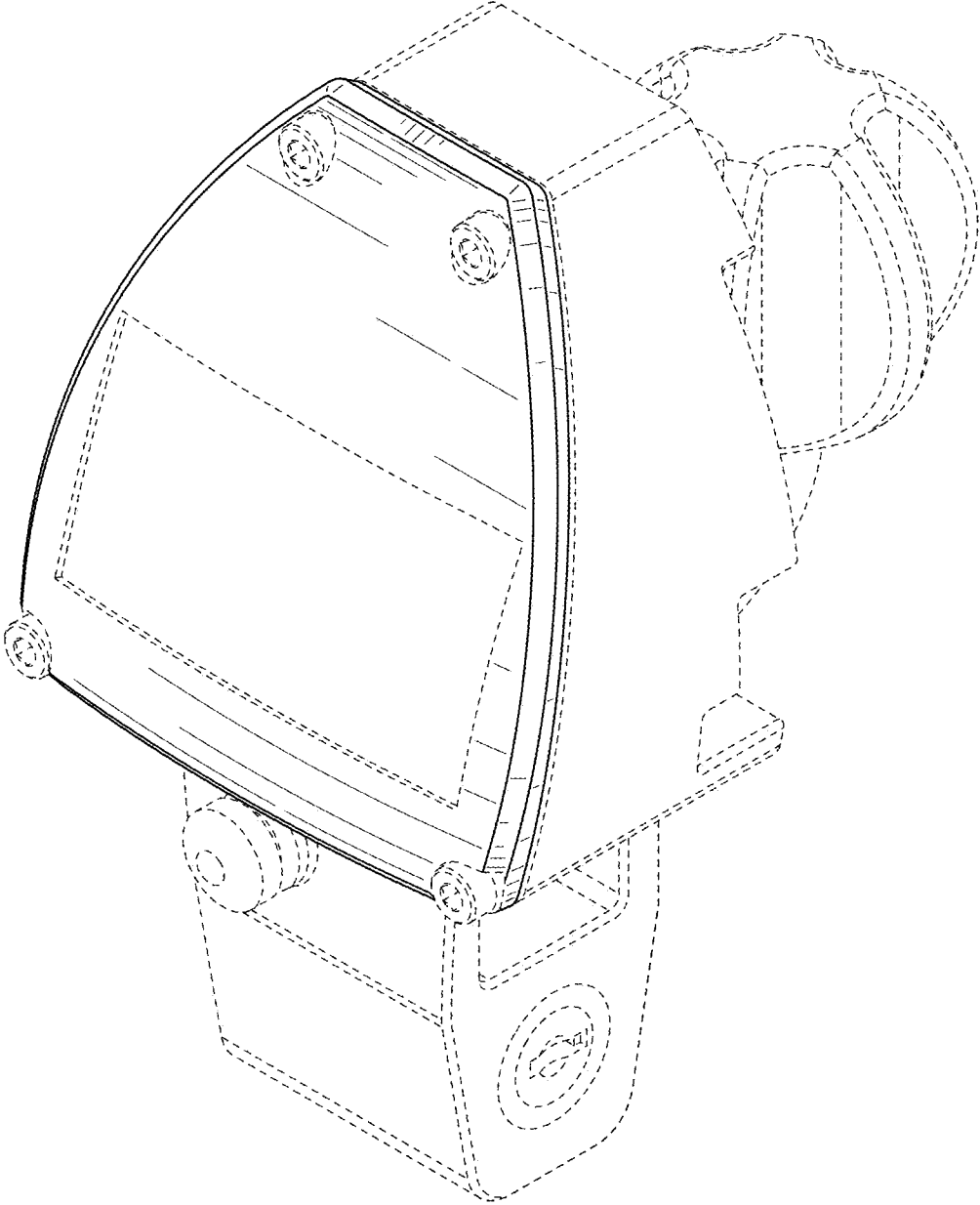


FIG. 1

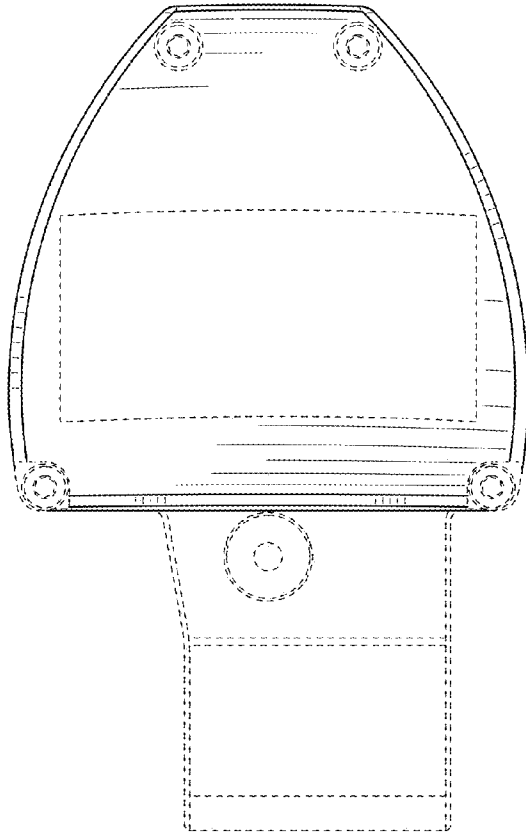


FIG. 2

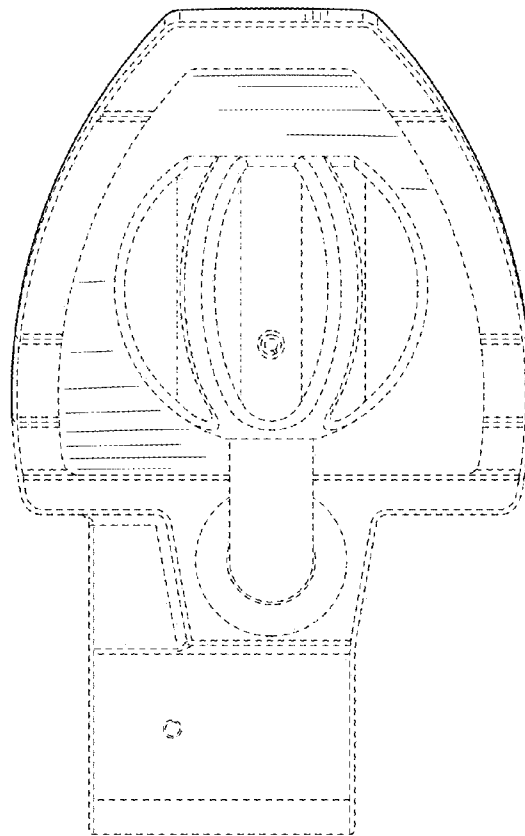


FIG. 3

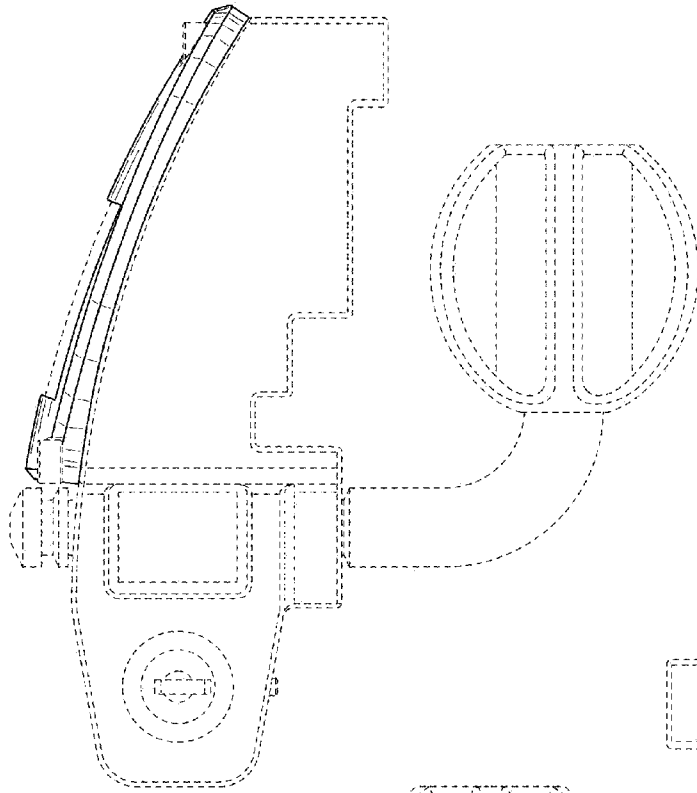


FIG. 4

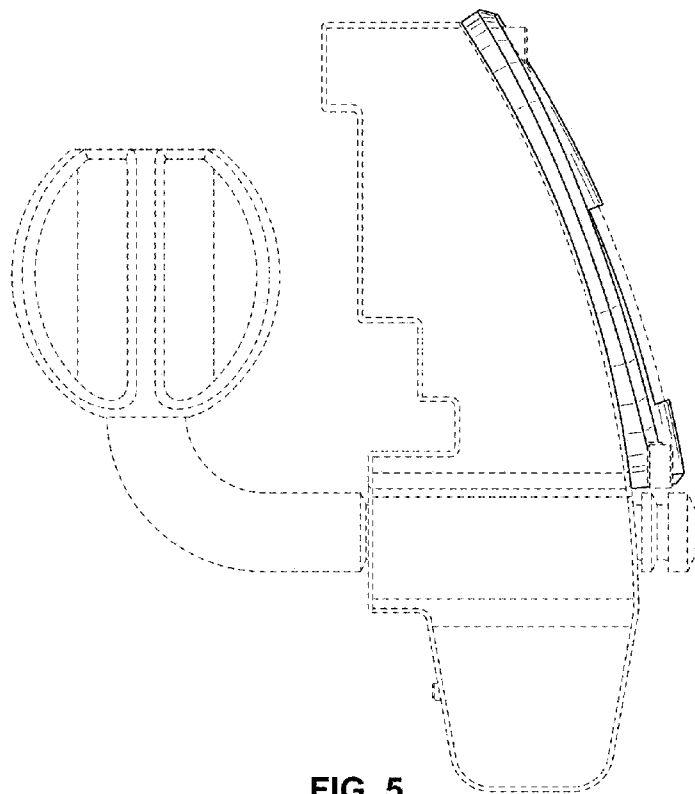


FIG. 5

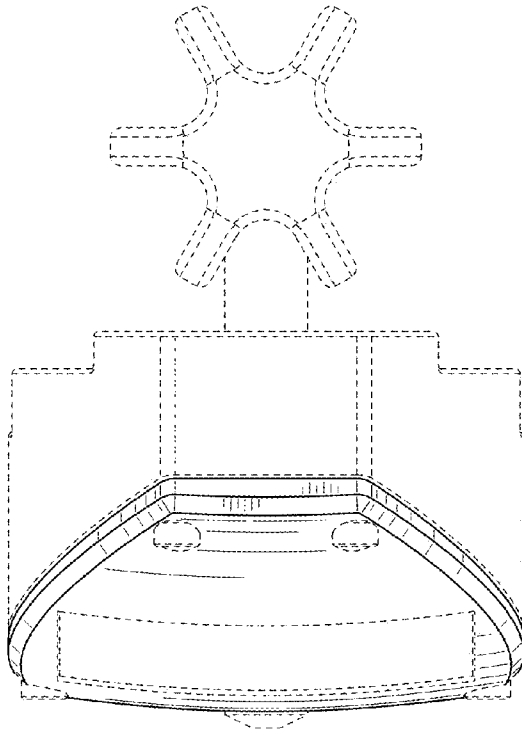


FIG. 6

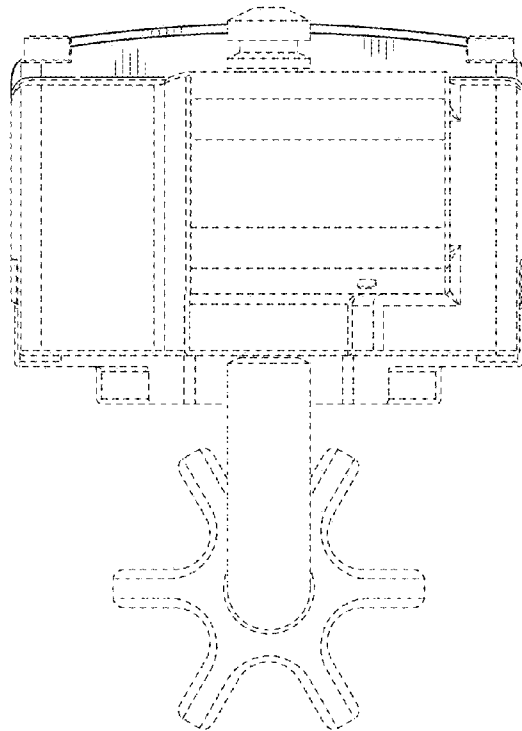


FIG. 7