



US00D348940S

United States Patent [19]

[11] Patent Number: **Des. 348,940**

Clark et al.

[45] Date of Patent: **** Jul. 19, 1994**

[54] **BOX EXTRUSION**

[76] Inventors: **James E. Clark**, P.O. Box 85,
Carstaat, N.J. 07075; **Peter Kessler**,
35 W. 82nd St., Woodridge, N.J.
07075

[*] Notice: The portion of the term of this patent
subsequent to Feb. 15, 2008 has been
disclaimed.

[**] Term: **14 Years**

[21] Appl. No.: **699,555**

[22] Filed: **May 13, 1991**

Related U.S. Application Data

- [63] Continuation-in-part of Ser. No. 319,551, Mar. 6, 1989,
abandoned.
- [52] U.S. Cl. **D25/124**
- [58] Field of Search **D25/122, 124**

[56] **References Cited**

U.S. PATENT DOCUMENTS

D. 265,035	6/1982	Fether et al.	D25/122
D. 269,910	7/1983	Johansson	D25/124
D. 275,324	8/1984	Wahlin	D25/124
D. 288,614	3/1987	Bos	D25/122
D. 301,067	5/1989	Dallaire et al.	D25/124
D. 305,368	1/1990	Clark	D25/124
D. 306,491	3/1990	Hallenagren	D25/124
D. 327,332	6/1992	Clark	D25/124

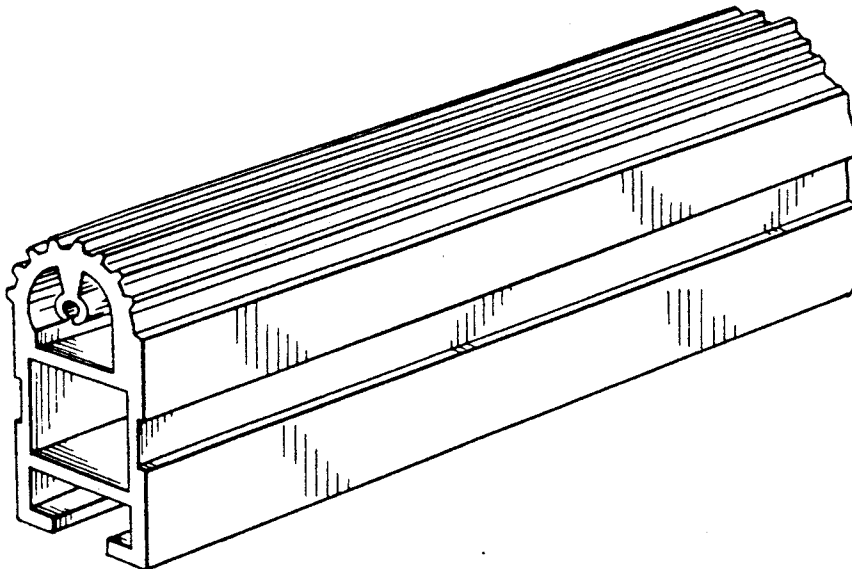
Primary Examiner—James R. Largen
Assistant Examiner—Doris Clark
Attorney, Agent, or Firm—Weingram & Zall

[57] **CLAIM**

The ornamental design for a box extrusion, as shown
and described.

DESCRIPTION

FIG. 1 is a perspective view of a box extrusion showing
my new design;
FIG. 2 is a right end elevational view thereof, the left
end elevational view being a mirror image thereof;
FIG. 3 is a front elevational view thereof;
FIG. 4 is a top plan view thereof;
FIG. 5 is a rear elevational view thereof; and,
FIG. 6 is a bottom plan view thereof.



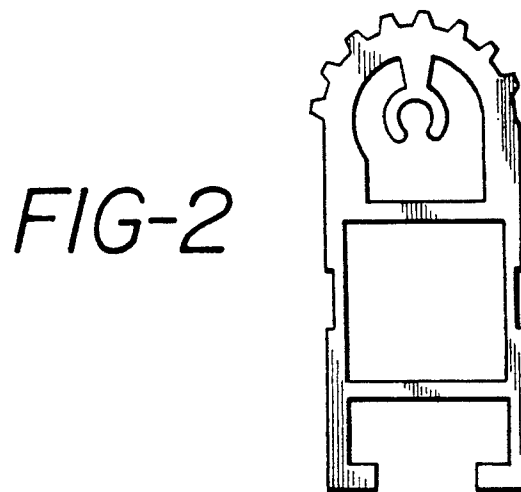
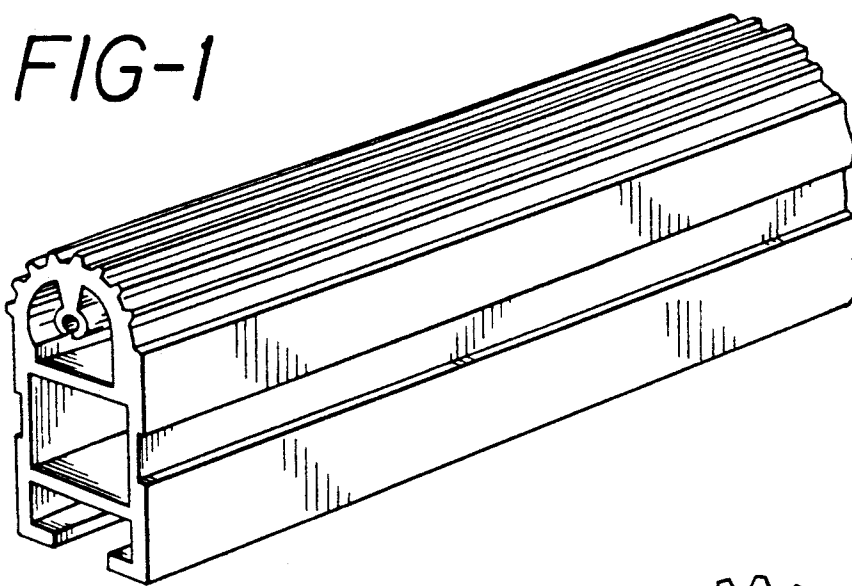


FIG-3

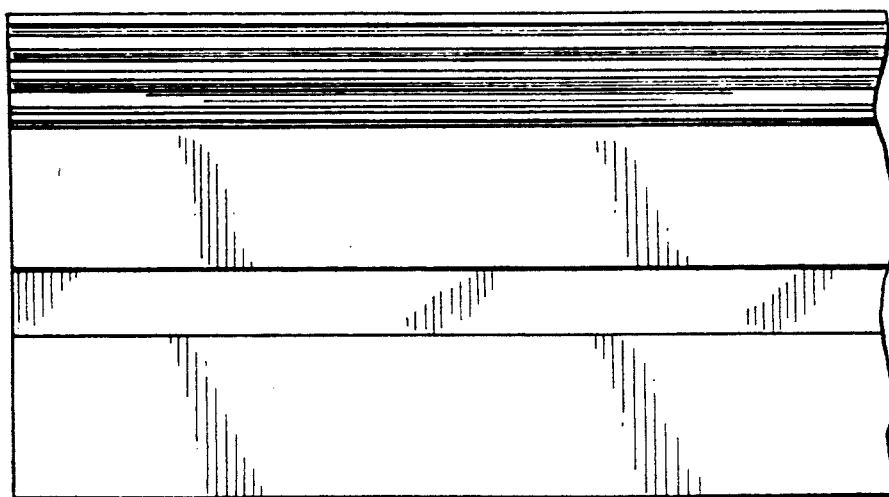


FIG-4

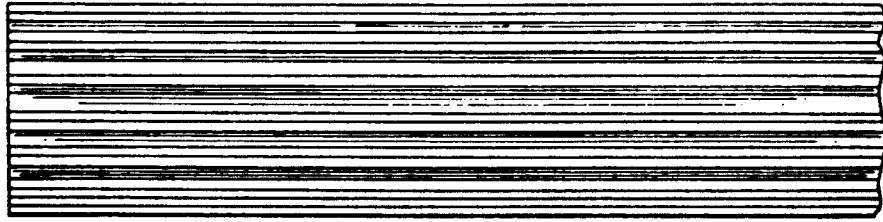


FIG-5

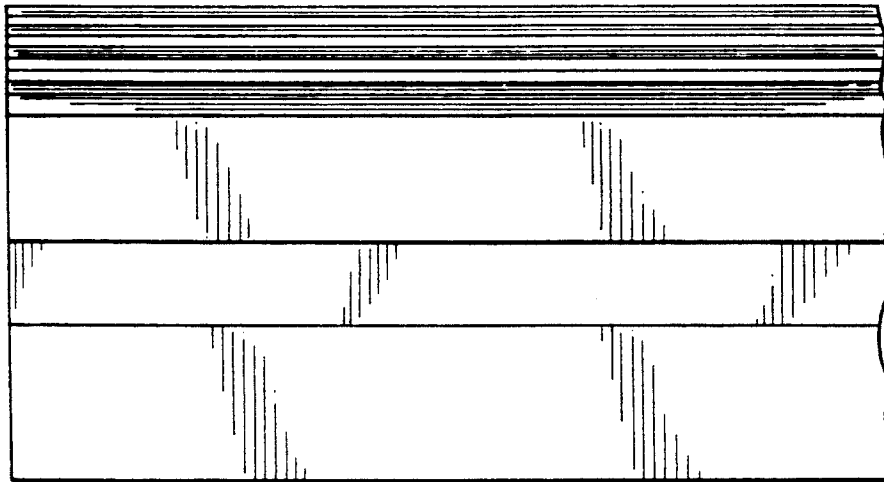


FIG-6

