

US00D392300S

# United States Patent [19]

**Chow et al.**

[11] **Patent Number: Des. 392,300**

[45] **Date of Patent: \*\*Mar. 17, 1998**

[54] **CAMERA HOUSING**

[75] **Inventors: Cary Robert Chow; Juan Pablo Cilia,** both of Los Angeles; **Christopher Warren Glupker,** Van Nuys; **Donald Joseph Hunting,** Moorpark; **Lance Gordon Hussey,** Sherman Oaks; **Ravi Kumar Sawhney,** Calabasas; **John Frank Zinni,** Capistrano Beach, all of Calif.

[73] **Assignee: Zero Corporation,** Los Angeles, Calif.

[\*\*] **Term: 14 Years**

[21] **Appl. No.: 67,092**

[22] **Filed: Mar. 4, 1997**

[51] **LOC (6) Cl. .... 16-01**

[52] **U.S. Cl. .... D16/203**

[58] **Field of Search .... D16/200-205;**  
348/143, 373-376; 396/427, 433, 535-543;  
379/55

[56] **References Cited**

**U.S. PATENT DOCUMENTS**

D. 244,931 7/1977 Miller et al. .... D16/205

D. 307,915	5/1990	Kuester, II	.....	D16/204
D. 319,068	8/1991	Shinano	.....	D16/202
D. 378,095	2/1997	Hasegawa	.....	D16/203
4,768,090	8/1988	Camps et al.	.....	348/143

**OTHER PUBLICATIONS**

Computer Telephony Expo Catalog, Dallas TX, Mar. 1995.

*Primary Examiner*—Philip S. Hyder

*Assistant Examiner*—Adir Aronovich

*Attorney, Agent, or Firm*—Pretty, Schroeder & Poplawski

[57] **CLAIM**

The ornamental design for a camera housing, as shown and described.

**DESCRIPTION**

FIG. 1 is a perspective view from the front upper right of the camera housing design of the invention;

FIG. 2 is a front view;

FIG. 3 is a rear view;

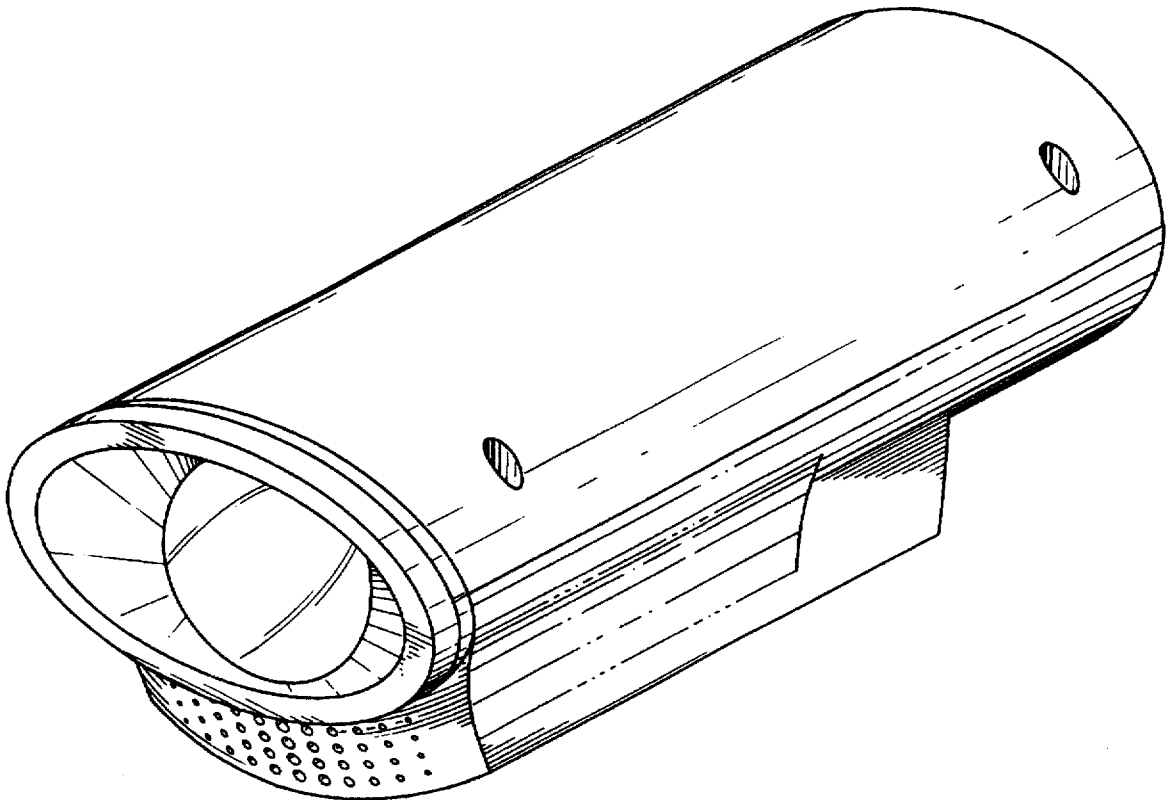
FIG. 4 is a bottom view;

FIG. 5 is a right side view;

FIG. 6 is a left side view; and,

FIG. 7 is a bottom view.

**1 Claim, 6 Drawing Sheets**



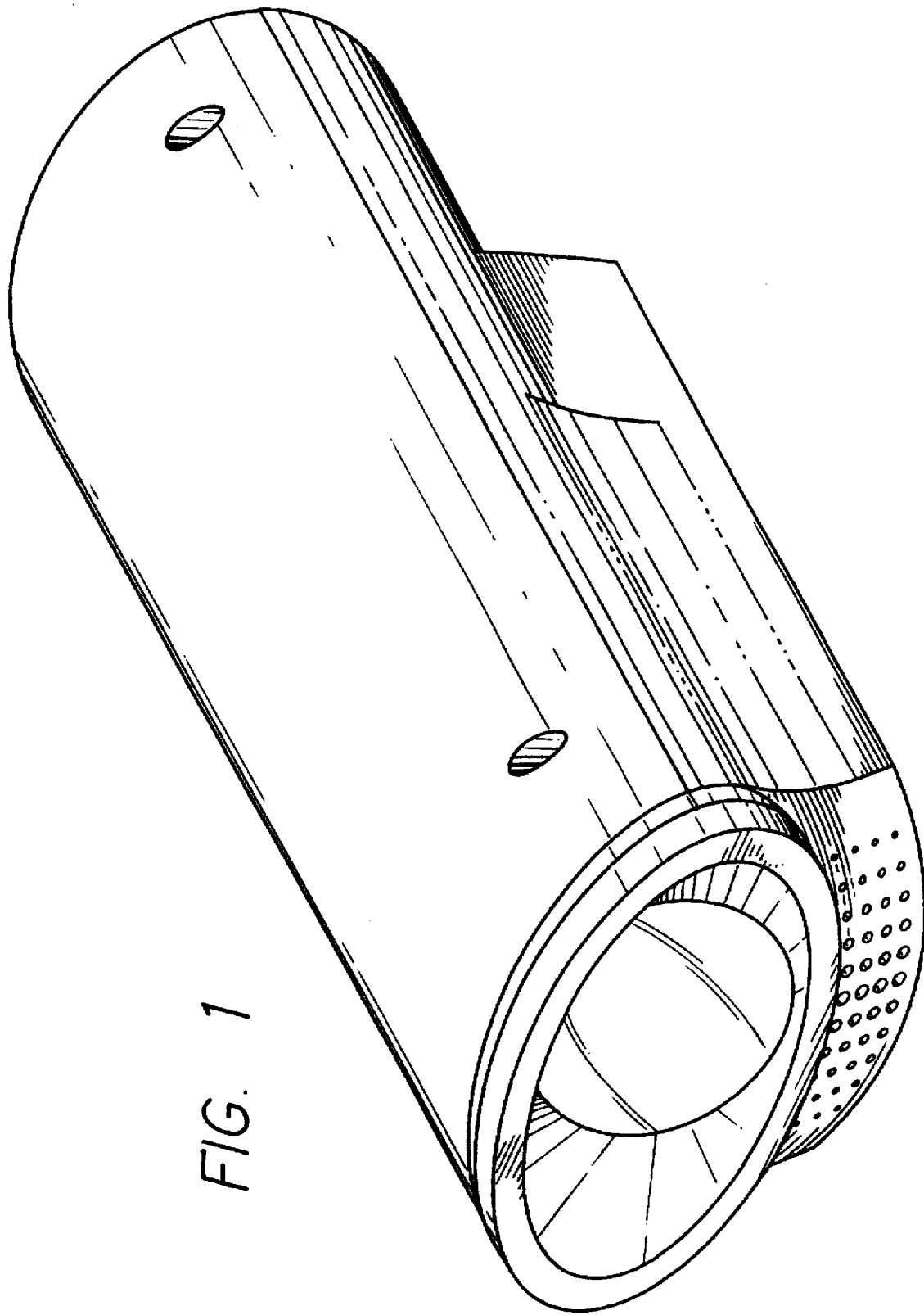


FIG. 1

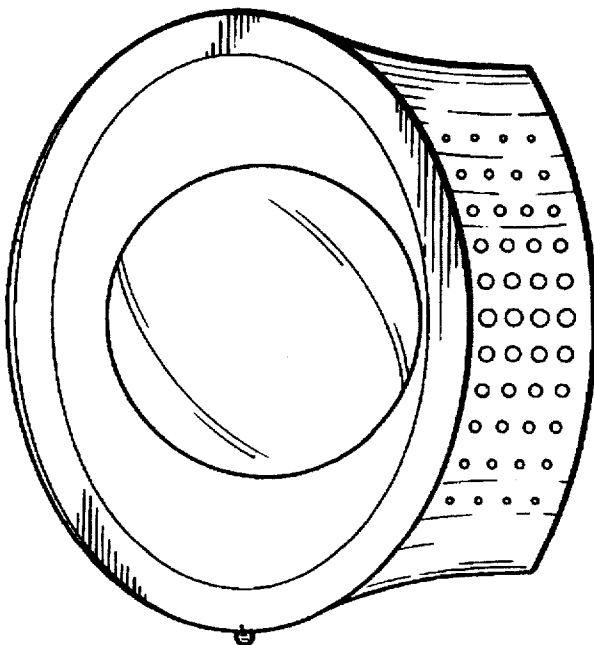


FIG. 2

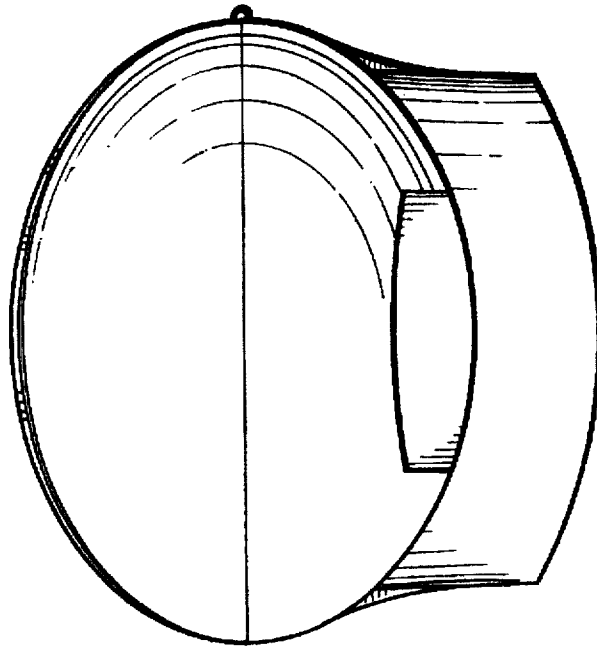


FIG. 3

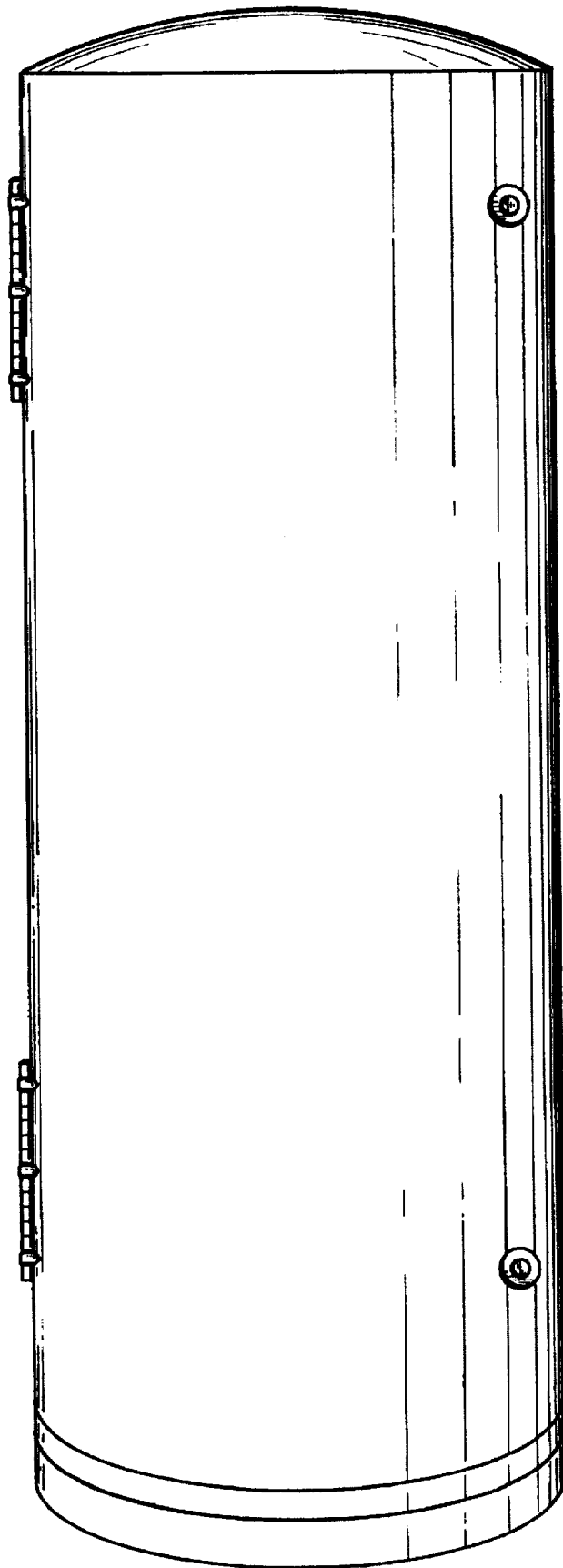


FIG. 4

FIG. 5

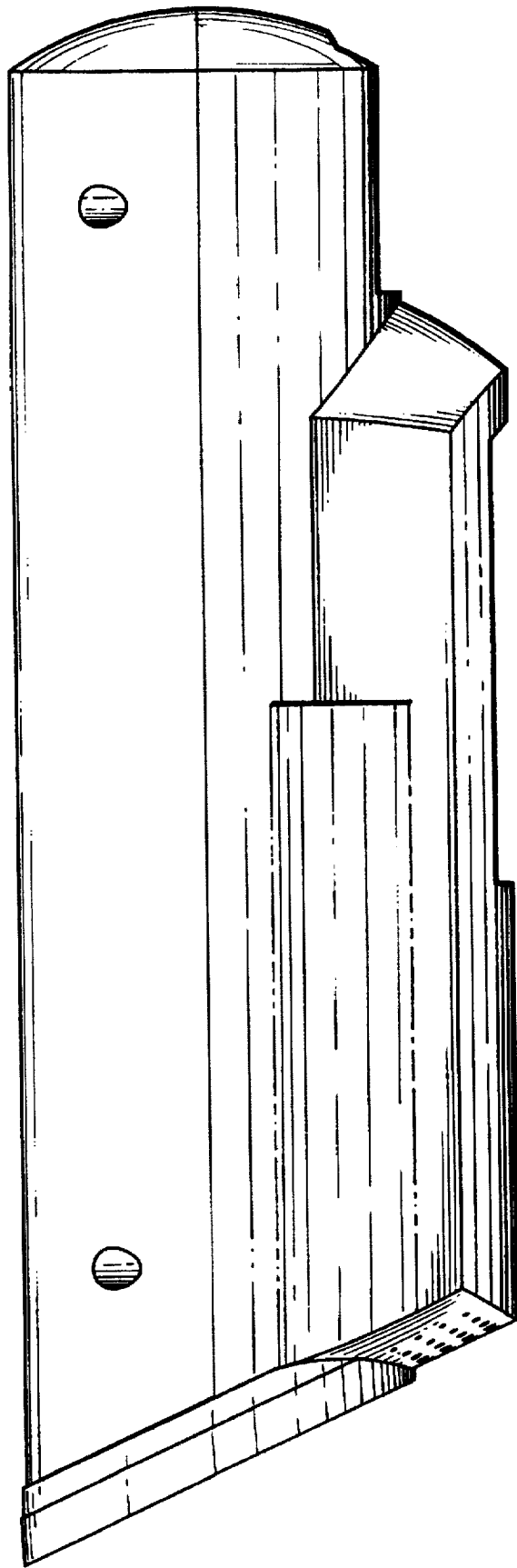


FIG. 6



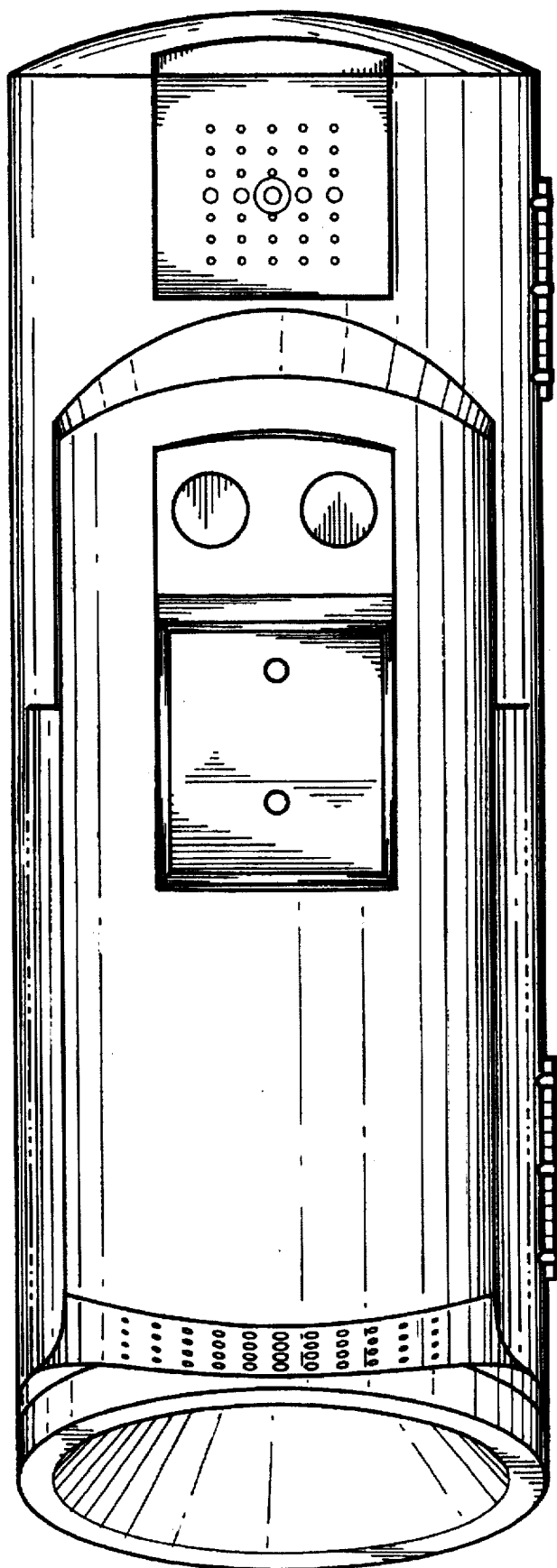


FIG. 7