



US00D620271S

(12) **United States Design Patent**  
**Vallet**

(10) **Patent No.:** **US D620,271 S**

(45) **Date of Patent:** **\*\* Jul. 27, 2010**

(54) **LOUNGE CHAIR**

(75) Inventor: **Serge Vallet**, Martignat (FR)

(73) Assignee: **Grosfillex SAS**, Oyonnax (FR)

(\*\*) Term: **14 Years**

(21) Appl. No.: **29/311,730**

(22) Filed: **Jun. 8, 2009**

(30) **Foreign Application Priority Data**

Dec. 9, 2008 (EM) ..... 001053748-0002

(51) **LOC (9) Cl.** ..... **06-01**

(52) **U.S. Cl.** ..... **D6/361**

(58) **Field of Classification Search** ..... D6/334-336,  
D6/360, 361, 367, 368, 370, 374, 375, 376,  
D6/379, 380, 500-502; 297/377, 423.1,  
297/445.1, 446.1, 448.1, 451.9, 452.63, 452.64  
See application file for complete search history.

(56) **References Cited**

U.S. PATENT DOCUMENTS

D376,268 S \* 12/1996 Grosfillex ..... D6/361

D385,118 S \* 10/1997 Grosfillex ..... D6/361  
D388,257 S \* 12/1997 Grosfillex ..... D6/361  
D389,661 S \* 1/1998 Grosfillex ..... D6/361  
D411,378 S \* 6/1999 Van Rhienen ..... D6/361  
D414,049 S \* 9/1999 van Rhienen ..... D6/361

\* cited by examiner

*Primary Examiner*—Mimosa De

(74) *Attorney, Agent, or Firm*—Dowell & Dowell, P.C.

(57) **CLAIM**

The ornamental design for a lounge chair, as shown and described.

**DESCRIPTION**

FIG. 1 is a front perspective view of a lounge chair showing my new design;

FIG. 2 is a front elevational view thereof;

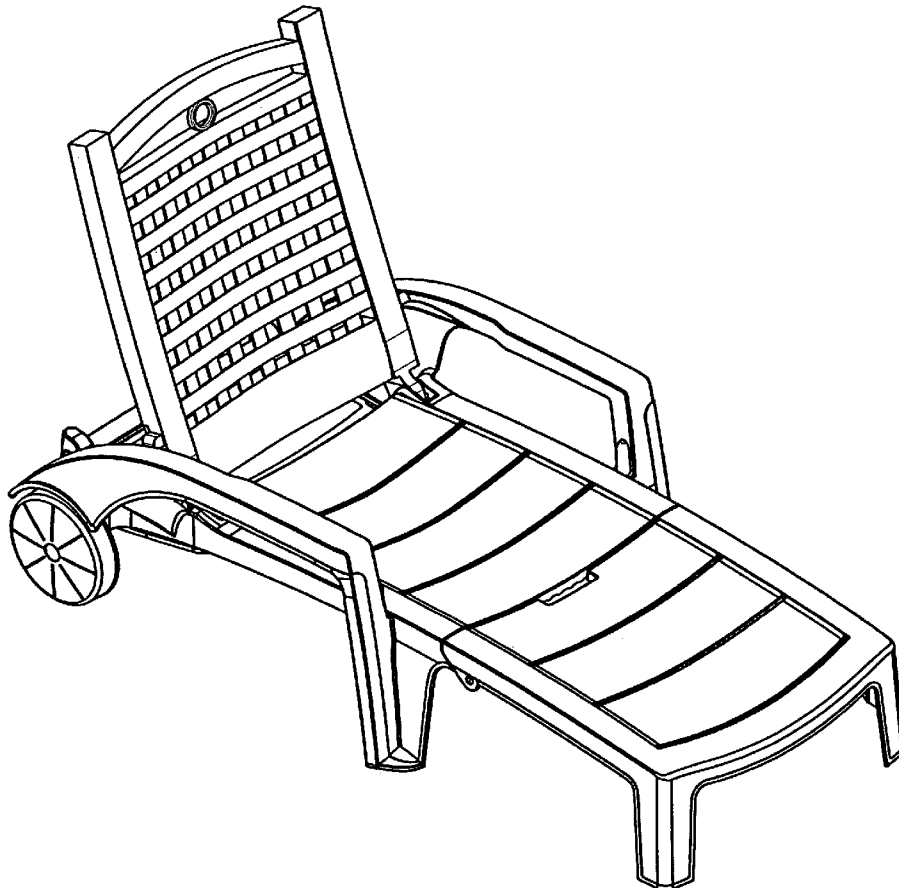
FIG. 3 is a rear elevational view thereof;

FIG. 4 is a left side view thereof, a view from the right side being a mirror image;

FIG. 5 is a top plan view thereof; and,

FIG. 6 is a bottom plan view thereof.

**1 Claim, 6 Drawing Sheets**



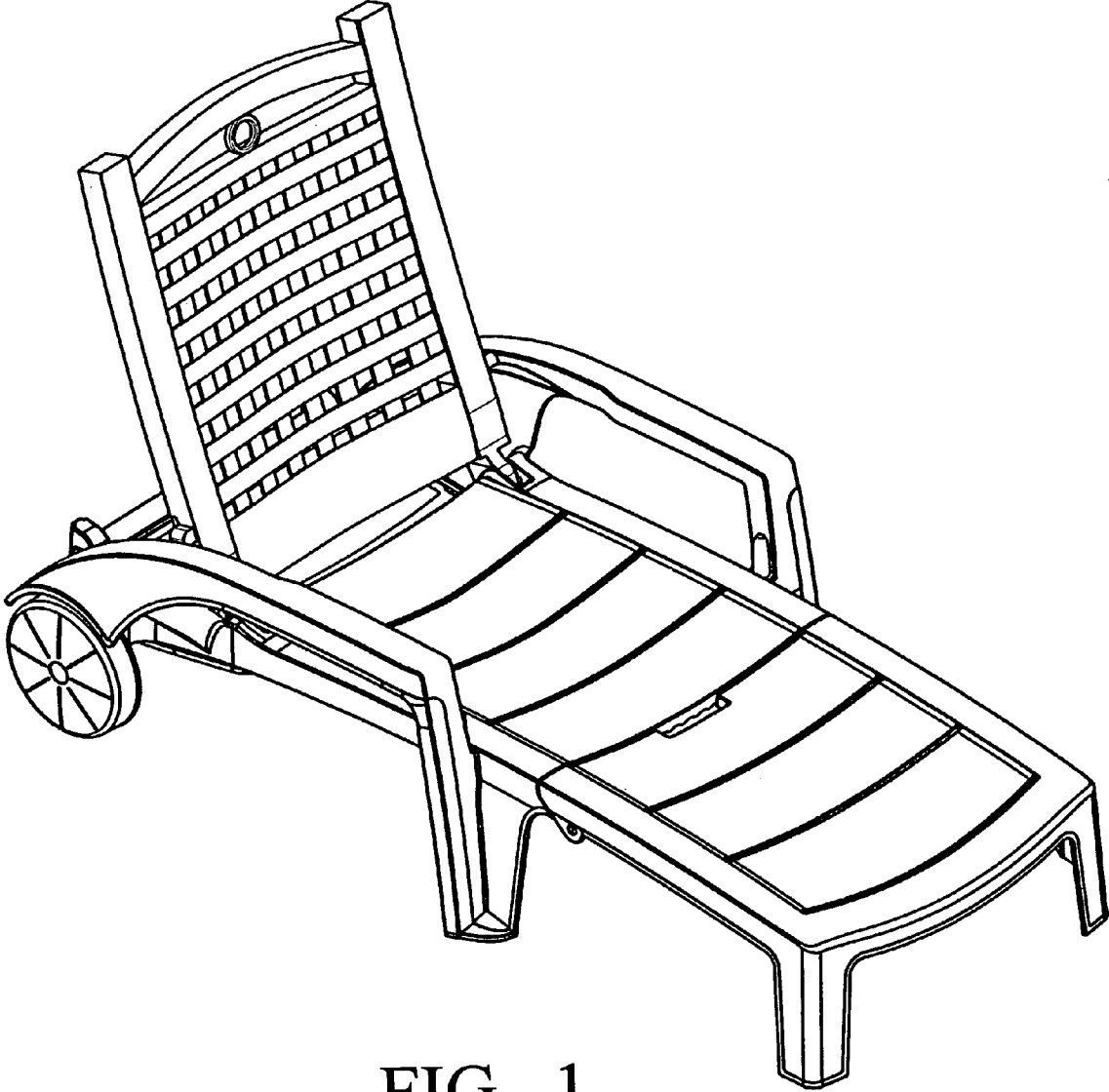


FIG. 1

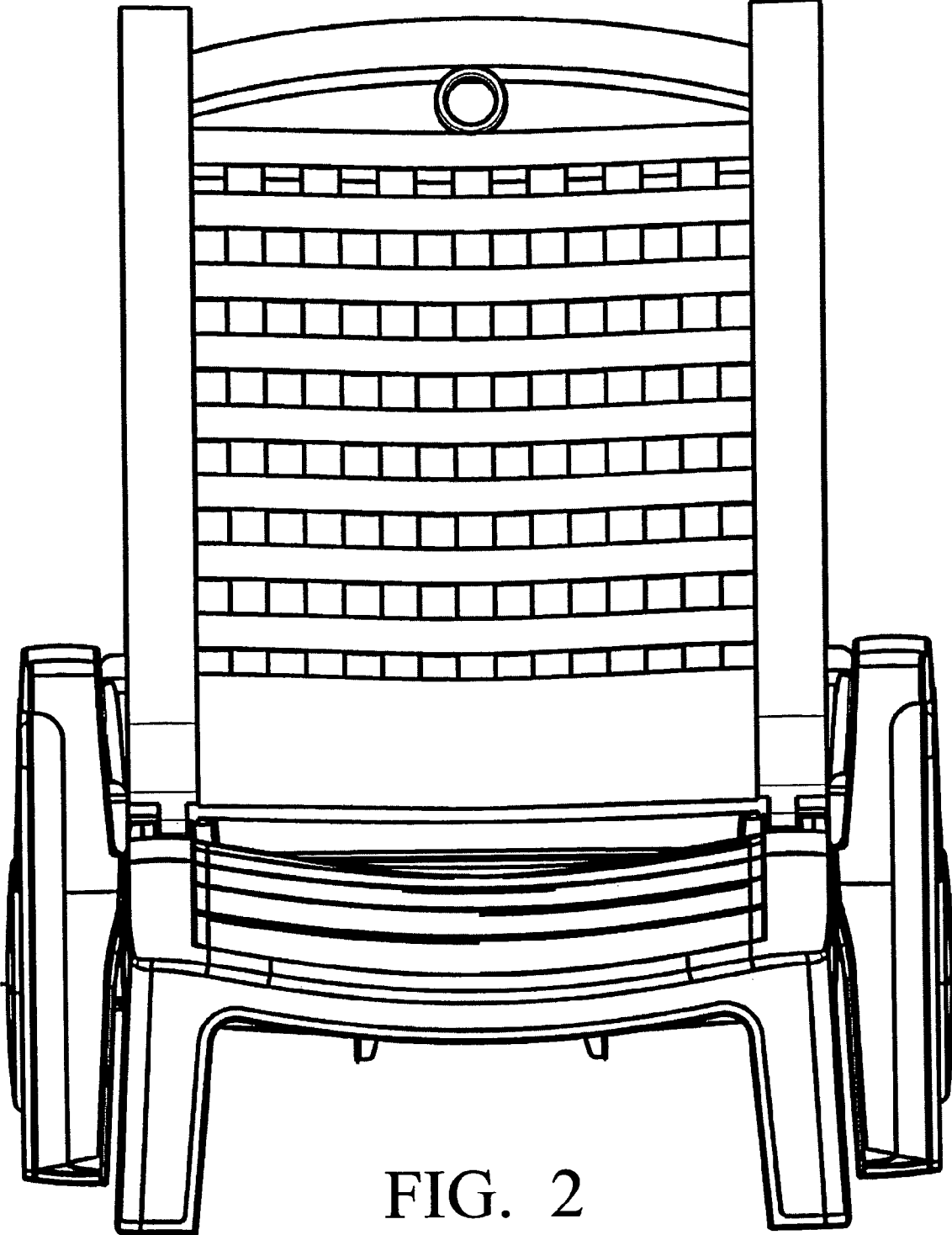


FIG. 2

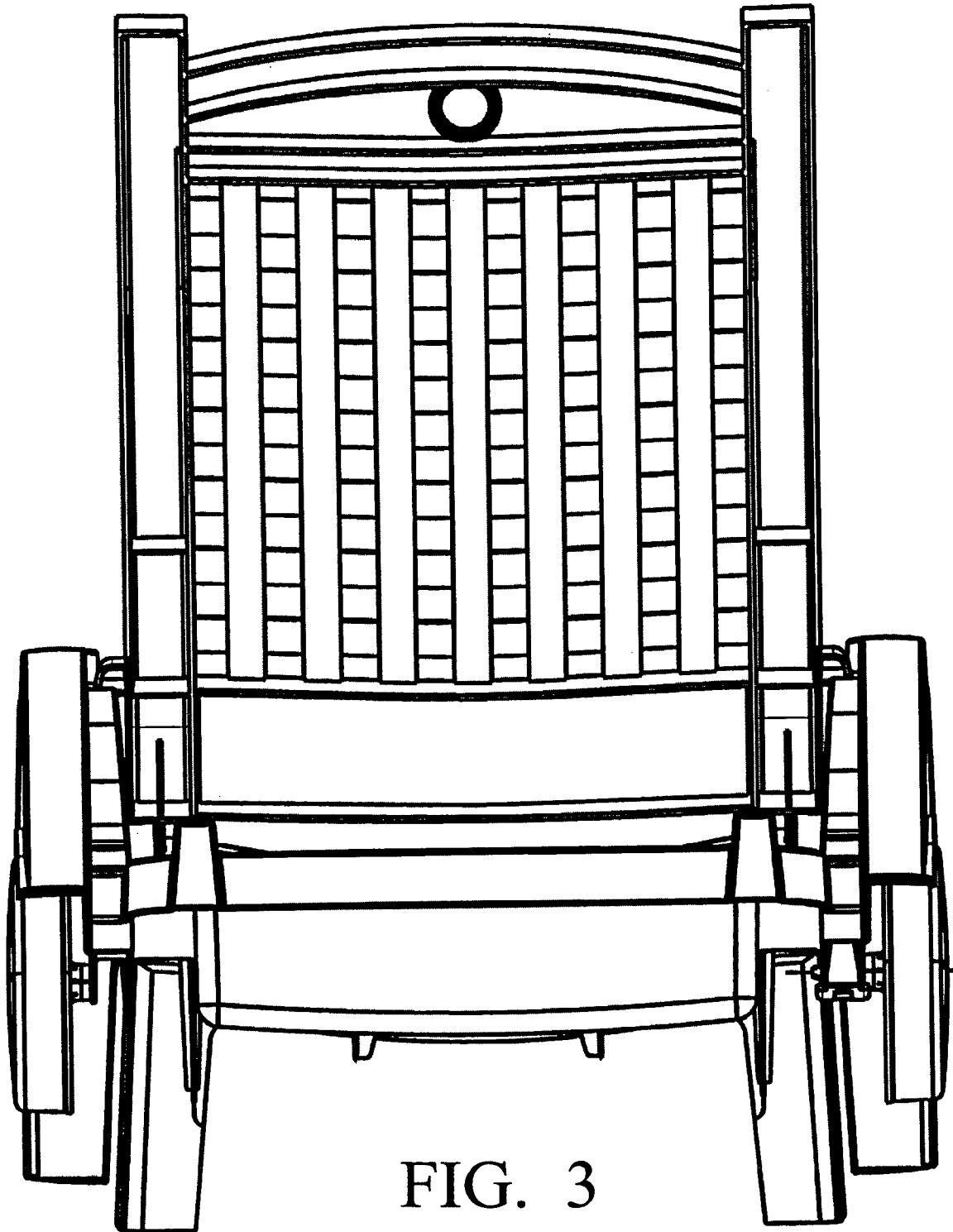


FIG. 3

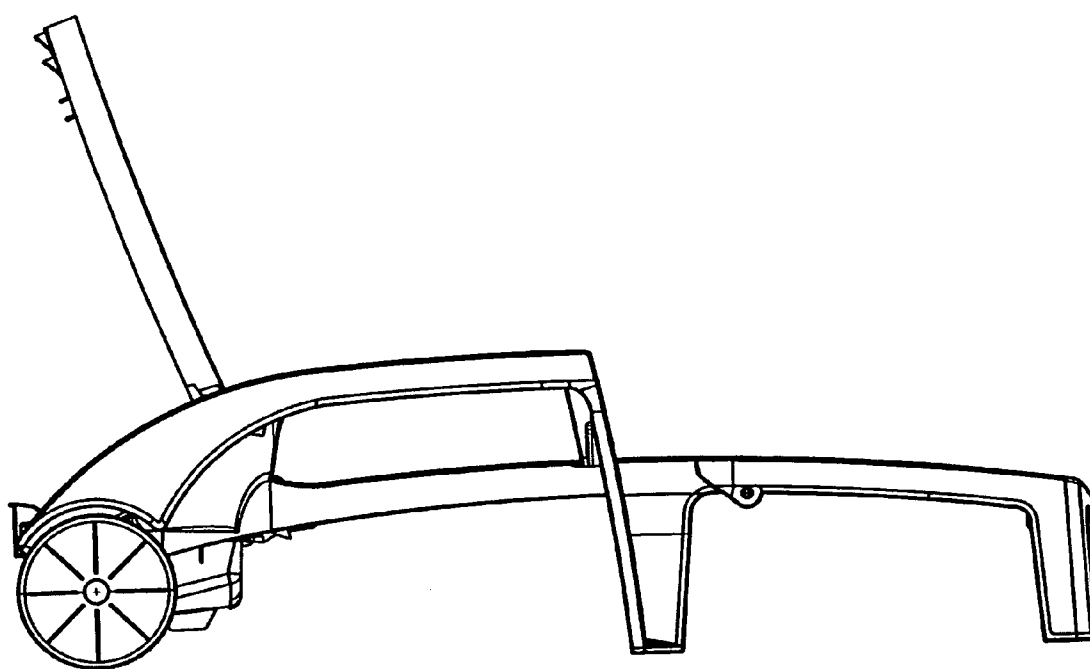


FIG. 4

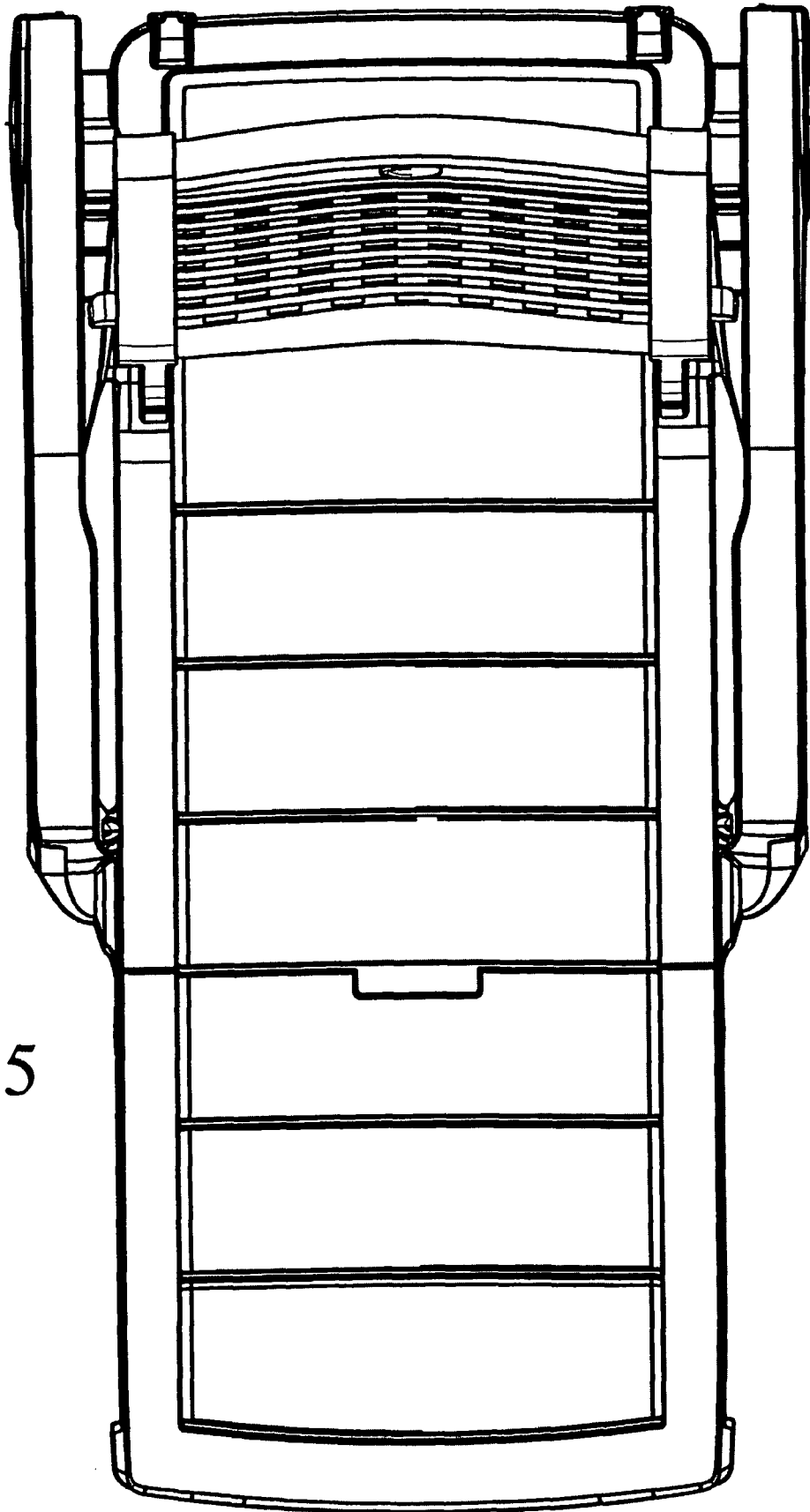


FIG. 5

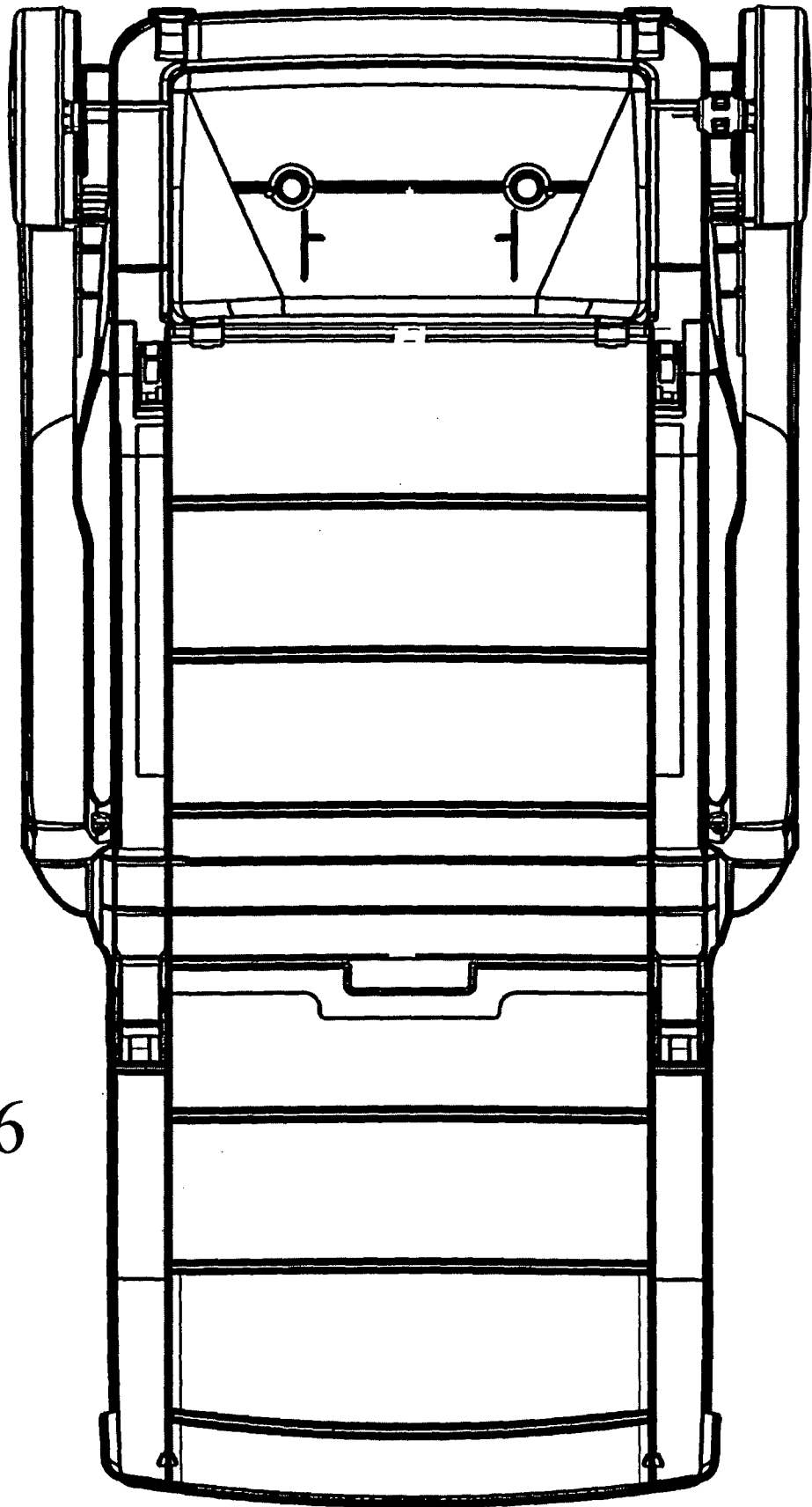


FIG. 6