



US00D567904S

(12) **United States Design Patent**
Schönherr et al.

(10) **Patent No.:** **US D567,904 S**

(45) **Date of Patent:** **** Apr. 29, 2008**

(54) **SHOWER INSTALLATION**

D542,395 S * 5/2007 Bosio D23/304

(75) Inventors: **Tom Schönherr**, Stuttgart (DE);
Fabian Kollmann, Stuttgart (DE)

(73) Assignee: **Hansgrohe AG**, Schiltach (DE)

(**) Term: **14 Years**

(21) Appl. No.: **29/278,625**

(22) Filed: **Apr. 4, 2007**

(30) **Foreign Application Priority Data**

Oct. 11, 2006 (EM) 000604152-0001

(51) **LOC (8) Cl.** **23-01**

(52) **U.S. Cl.** **D23/228**

(58) **Field of Classification Search** D23/213,
D23/229-230, 223, 228, 304; 239/282-283,
239/394; 4/615, 567, 570, 596, 597

See application file for complete search history.

(56) **References Cited**

U.S. PATENT DOCUMENTS

- D475,437 S * 6/2003 Dimitriadis et al. D23/242
- D540,925 S * 4/2007 Garner D23/304
- D541,394 S * 4/2007 Toyohara D23/304
- 7,197,776 B2 * 4/2007 Tsai 4/615

OTHER PUBLICATIONS

- Fir Italia, "Cleo" brochure, Sep. 2005.
- Fratelli Frattini, "Constellation" brochure, Feb. 2006.
- Grohe, "Armaturen für Bad und Küche" brochure, Mar. 2006.

* cited by examiner

Primary Examiner—Robin V Webster

(74) *Attorney, Agent, or Firm*—Duane Morris LLP

(57) **CLAIM**

The ornamental design of a shower installation, as shown and described.

DESCRIPTION

FIG. 1: is a side perspective view of the shower installation showing our new design;

FIG. 2: is a front elevation view thereof;

FIG. 3: is a side elevation view thereof;

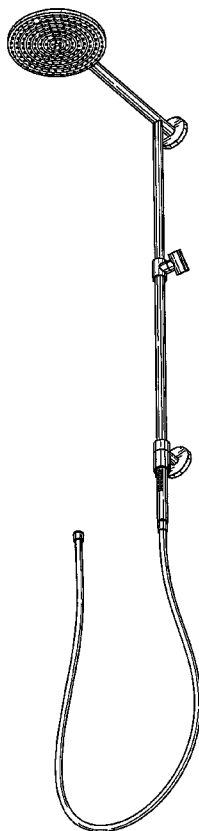
FIG. 4: is a rear elevation view thereof;

FIG. 5: is the opposite side elevation view thereof;

FIG. 6: is a top plan view thereof; and,

FIG. 7: is a bottom plan view thereof.

1 Claim, 4 Drawing Sheets



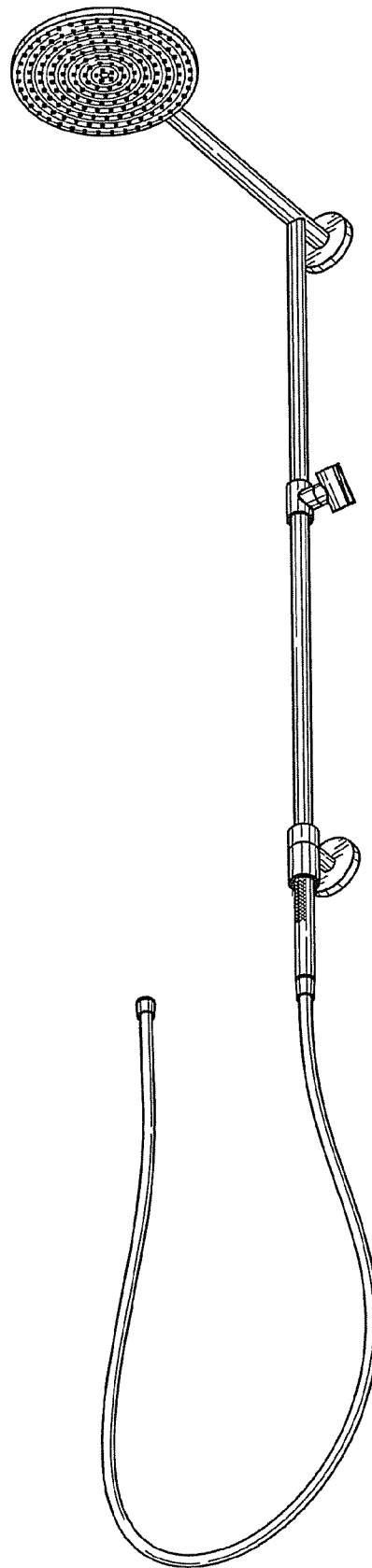
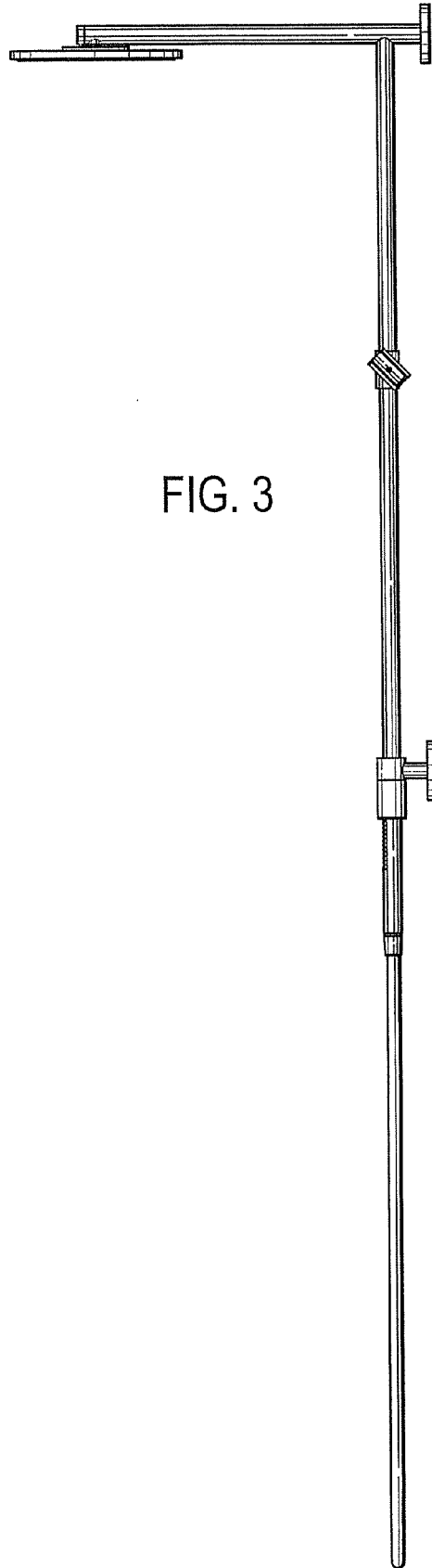
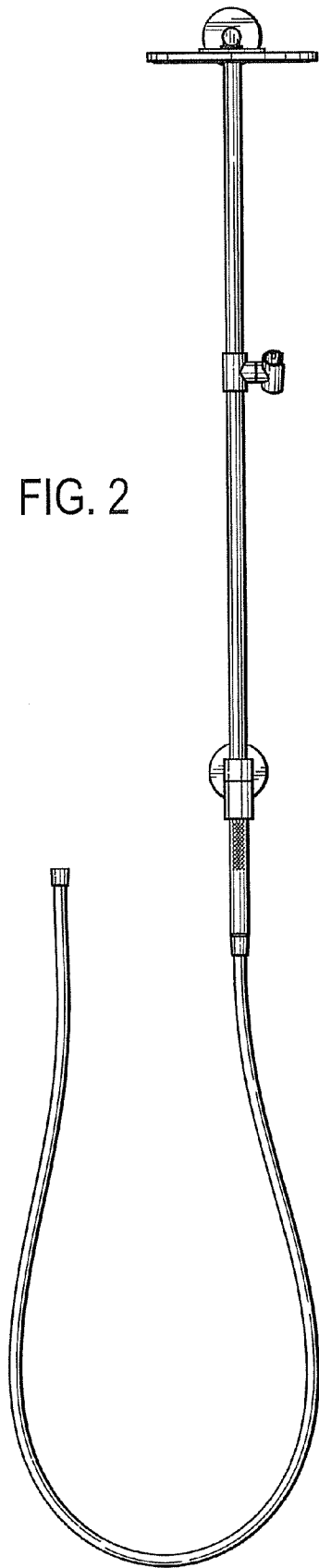


FIG. 1



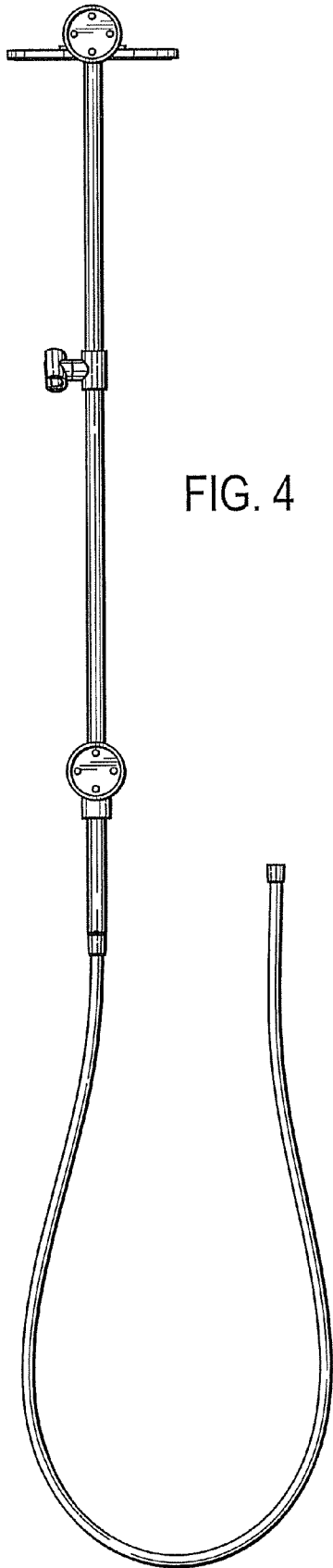


FIG. 4

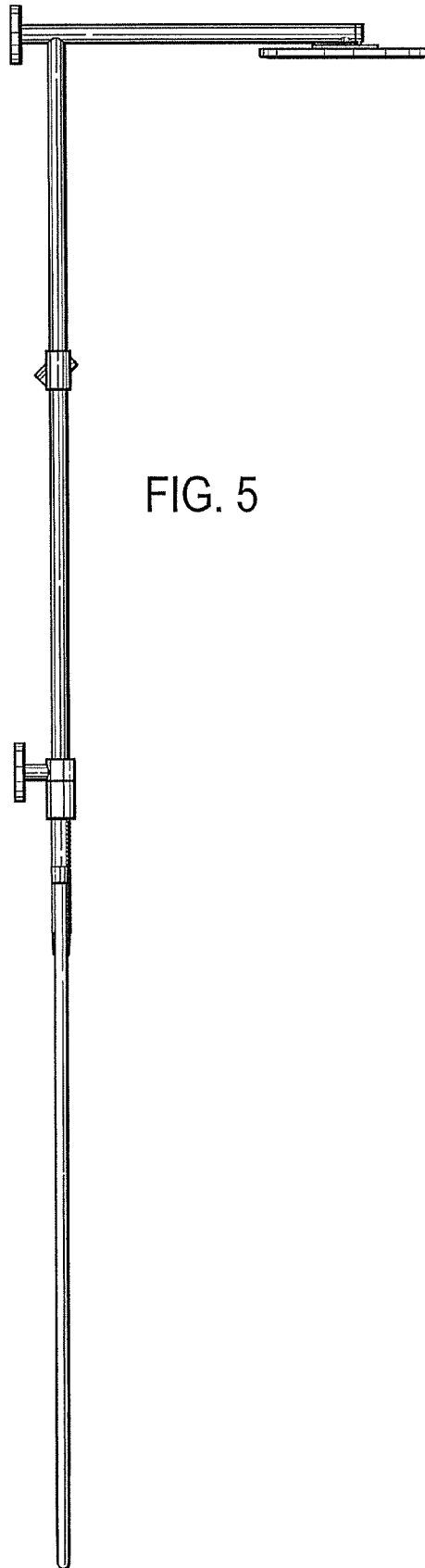


FIG. 5

FIG. 6

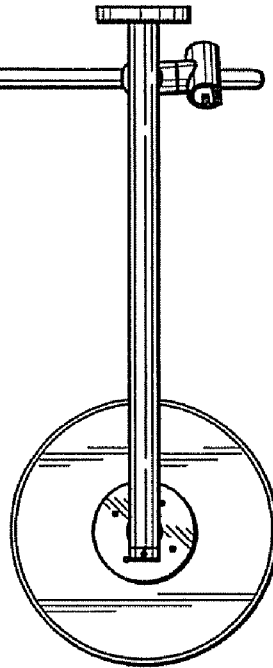


FIG. 7

