



US00D510086S

(12) **United States Design Patent**
Hirakawa et al.

(10) **Patent No.:** **US D510,086 S**

(45) **Date of Patent:** **** Sep. 27, 2005**

(54) **HOLDER FOR HEADPHONE**

(75) Inventors: **Maki Hirakawa**, Tokyo (JP); **Michio Deguchi**, Tokyo (JP); **Kanae Fukamatsu**, Tokyo (JP)

(73) Assignee: **Sony Computer Entertainment, Inc.**, Tokyo (JP)

(**) Term: **14 Years**

(21) Appl. No.: **29/216,831**

(22) Filed: **Nov. 10, 2004**

(30) **Foreign Application Priority Data**

May 10, 2004 (JP) D2004-013710

(51) **LOC (8) Cl.** **14-01**

(52) **U.S. Cl.** **D14/223**

(58) **Field of Search** D14/223, 205, D14/217, 206, 156, 168, 192; D3/207-210, 212; D6/466; D26/37; D28/76, 77; D8/99; 362/196; 181/128-130; 379/430; 381/381

(56) **References Cited**

U.S. PATENT DOCUMENTS

3,359,411 A	*	12/1967	Sidney	362/196
D296,736 S	*	7/1988	Cole	D6/466
D302,074 S	*	7/1989	Halasz	D3/208
D352,600 S	*	11/1994	Steeley	D3/208
D357,946 S	*	5/1995	Ho	D14/223
D431,308 S	*	9/2000	Lynch et al.	D26/37
D457,513 S	*	5/2002	Pirelli et al.	D14/223
D464,642 S		10/2002	Kanno		
D466,100 S		11/2002	Obata		

D481,376 S	*	10/2003	Eguchi	D14/223
D491,314 S	*	6/2004	Cousins	D28/77

FOREIGN PATENT DOCUMENTS

JP	D1050270 S	9/1999
JP	D1164092 S	1/2003

* cited by examiner

Primary Examiner—Paula A. Greene

(74) *Attorney, Agent, or Firm*—Rader, Fishman & Grauer PLLC

(57) **CLAIM**

The ornamental design for a holder for headphone, as shown and described.

DESCRIPTION

FIG. 1 is a perspective view of a holder for headphone showing our new design;

FIG. 2 is a front elevational view thereof, showing a line VIII—VIII;

FIG. 3 is a rear elevational view thereof;

FIG. 4 is a left side elevational view thereof;

FIG. 5 is a right side elevational view thereof;

FIG. 6 is a top view thereof, a bottom plan view thereof being a mirror image;

FIG. 7 is a reduced perspective view thereof, showing a using condition; and,

FIG. 8 is a reference cross sectional view thereof; taken along the line VIII-VIII shown in FIG. 2.

The broken lines showing of the environment are for illustrative purposes only and form no part of the claimed design.

1 Claim, 5 Drawing Sheets

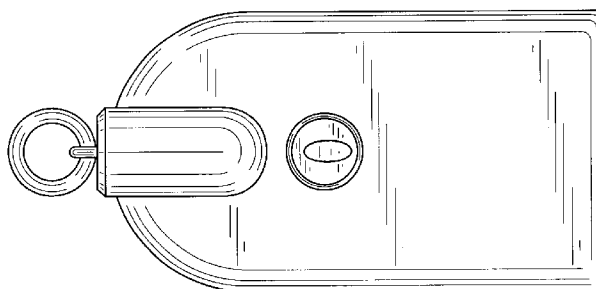
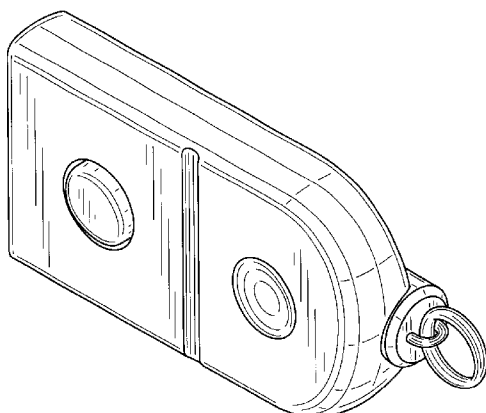


FIG. 1

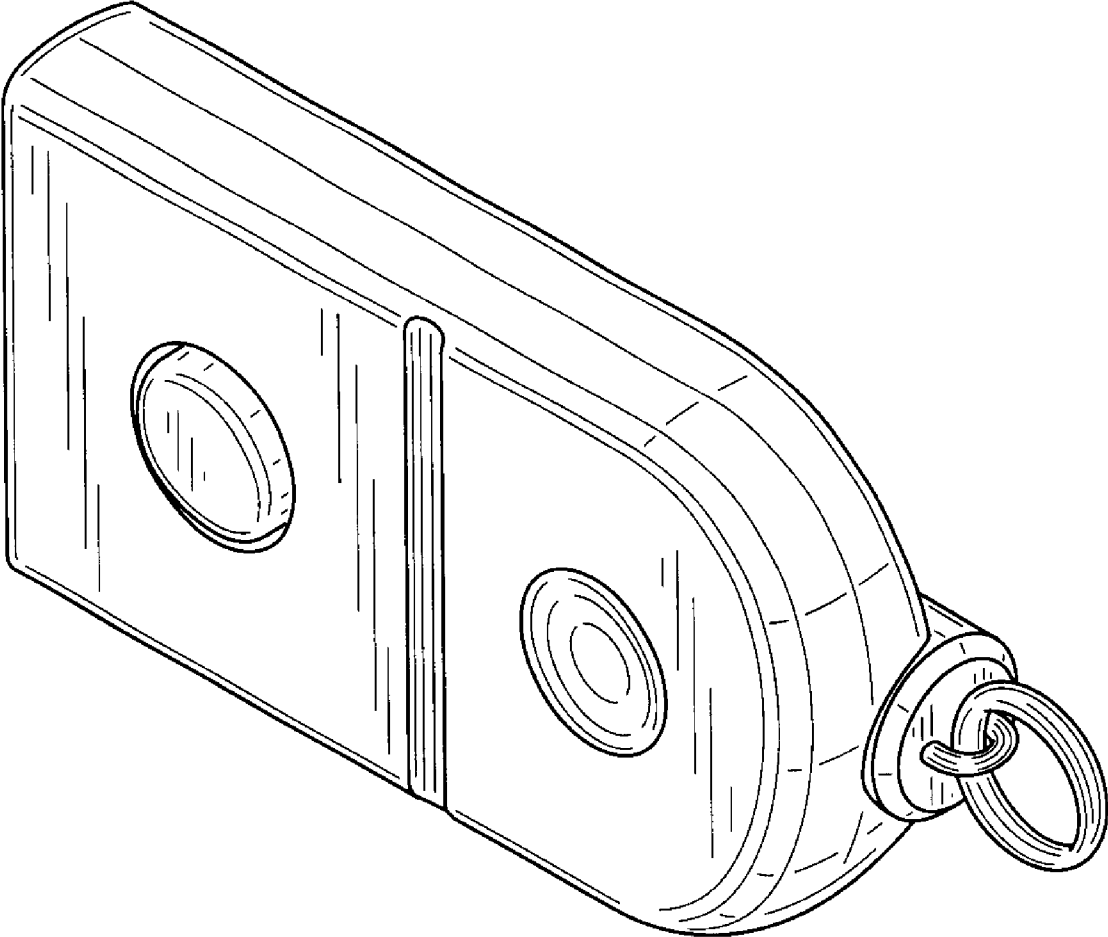


FIG.2

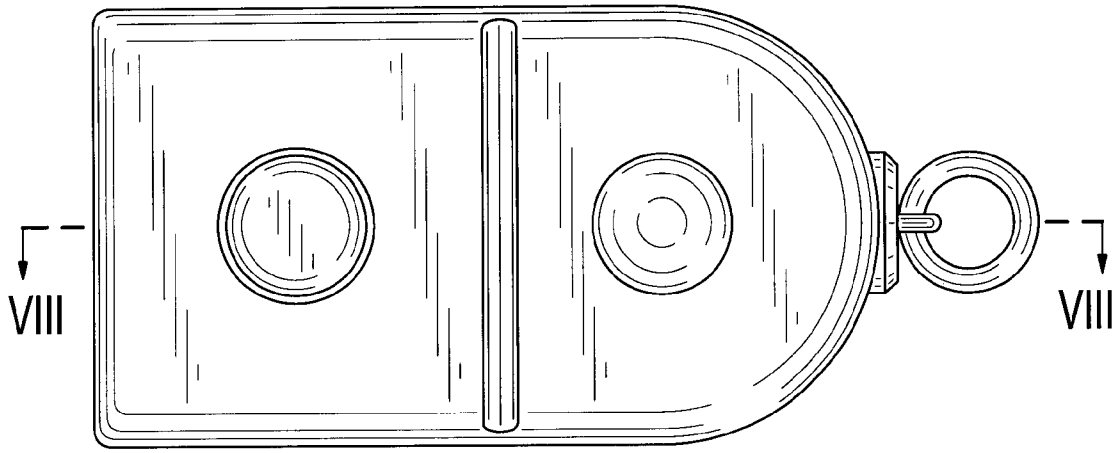


FIG.3

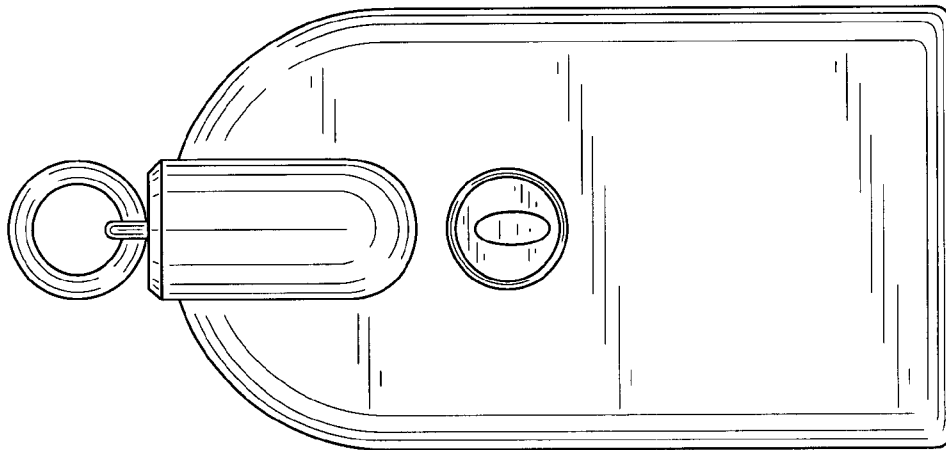


FIG.4

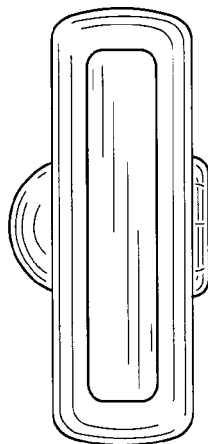


FIG. 5

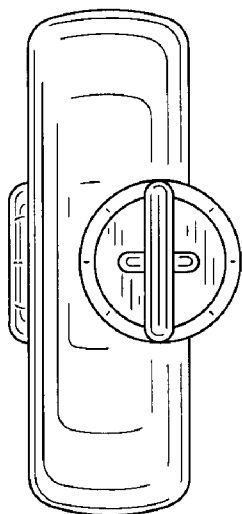
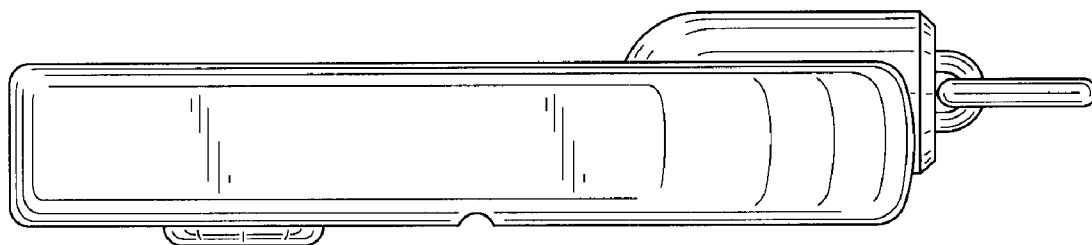


FIG. 6



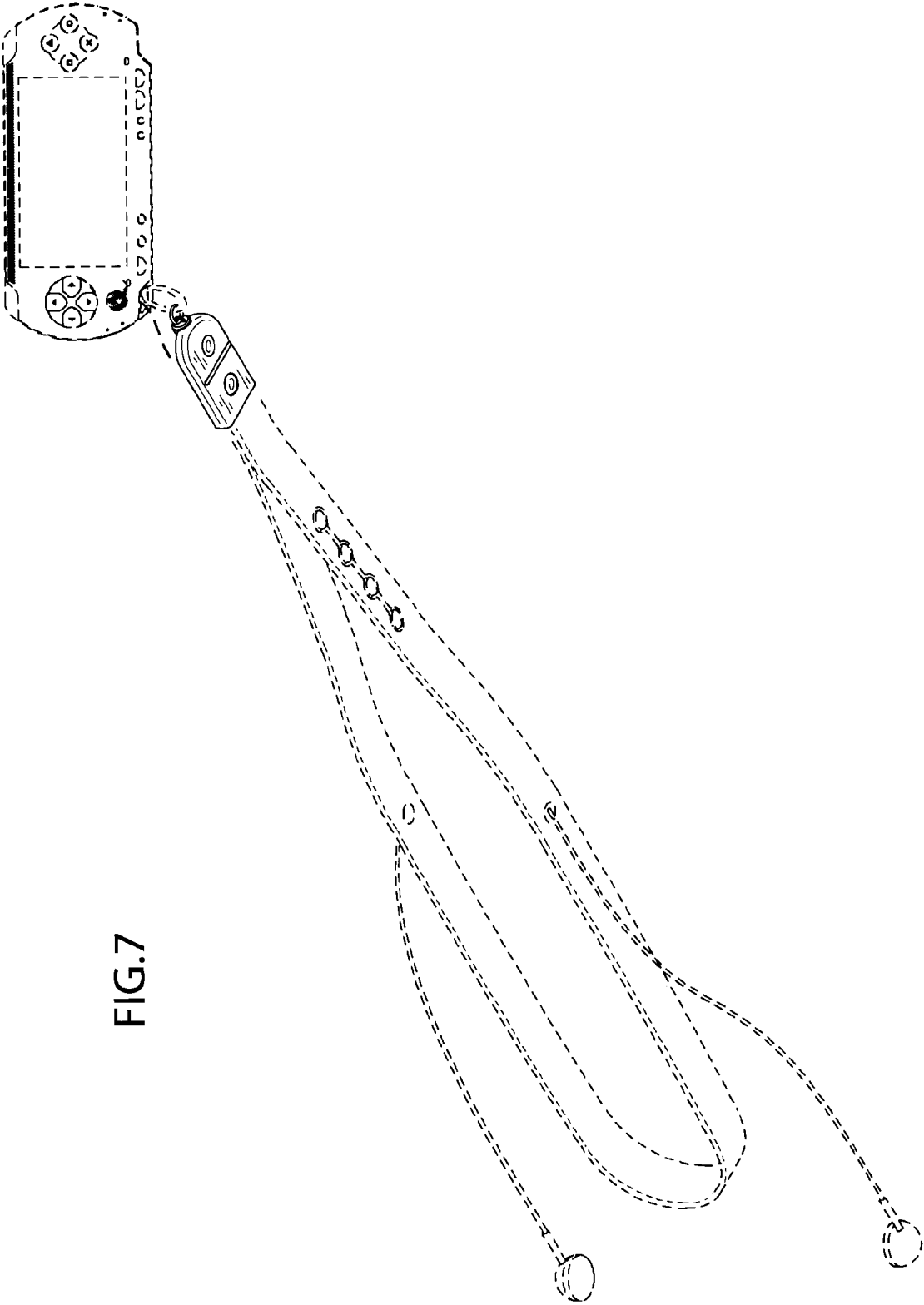


FIG.7

FIG.8

