



US00D487406S

(12) **United States Design Patent**  
Anderson

(10) **Patent No.:** **US D487,406 S**

(45) **Date of Patent:** **\*\* Mar. 9, 2004**

(54) **MOBILE PARKING LIMIT INDICATING DEVICE**

D396,821 S	*	8/1998	Enloe	.....	D10/109
D397,364 S	*	8/1998	Barrett	.....	D20/41
D405,377 S	*	2/1999	Davis	.....	D10/109
D438,134 S	*	2/2001	Sloven	.....	D10/109
D456,731 S	*	5/2002	Stockman	.....	D10/109

(76) Inventor: **Scott C. Anderson**, 3645 Giddings Ranch Rd., Altadena, CA (US) 91061

(\*\*) Term: **14 Years**

\* cited by examiner

(21) Appl. No.: **29/180,604**

*Primary Examiner*—Nelson C. Holtje  
(74) *Attorney, Agent, or Firm*—James E. Brunton

(22) Filed: **Apr. 24, 2003**

(57) **CLAIM**

(51) **LOC (7) Cl.** ..... **10-05**

The ornamental design for a “mobile parking limit indicating device, ” as shown

(52) **U.S. Cl.** ..... **D10/109**

(58) **Field of Search** ..... D10/109, 111, D10/121; D20/10, 41; 116/173–175, 63 R; 40/618, 612, 606.18; D11/165, 166, 172

**DESCRIPTION**

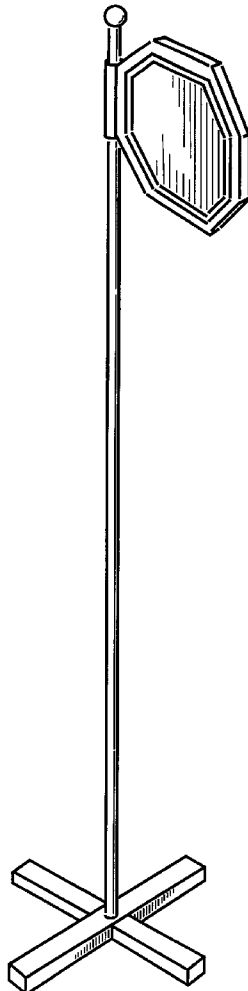
(56) **References Cited**

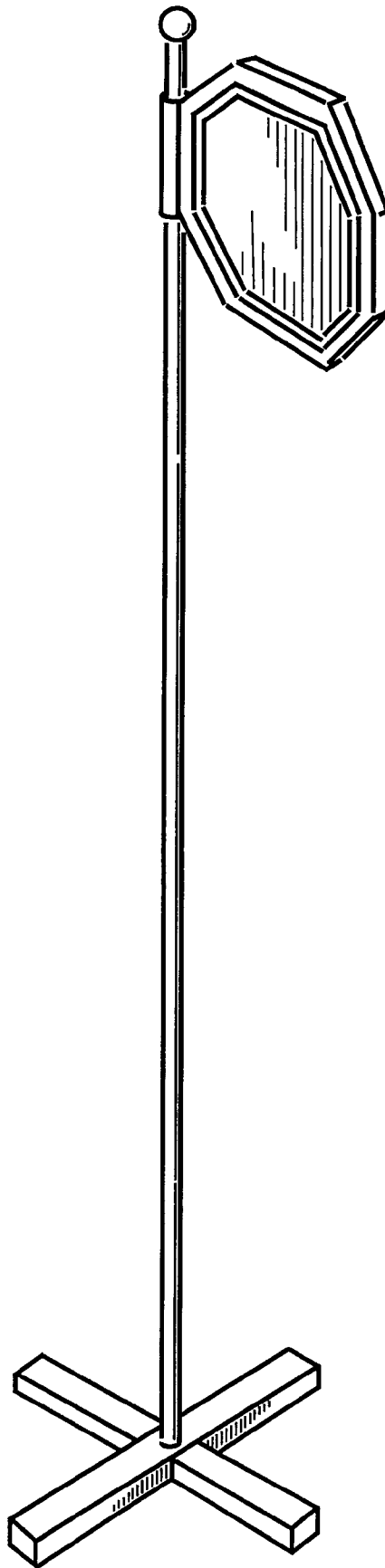
**U.S. PATENT DOCUMENTS**

D340,203 S	*	10/1993	Popp et al.	.....	D10/109
D340,417 S	*	10/1993	Popp et al.	.....	D10/109
D340,418 S	*	10/1993	Popp et al.	.....	D10/109
D351,807 S	*	10/1994	Smith et al.	.....	D10/109

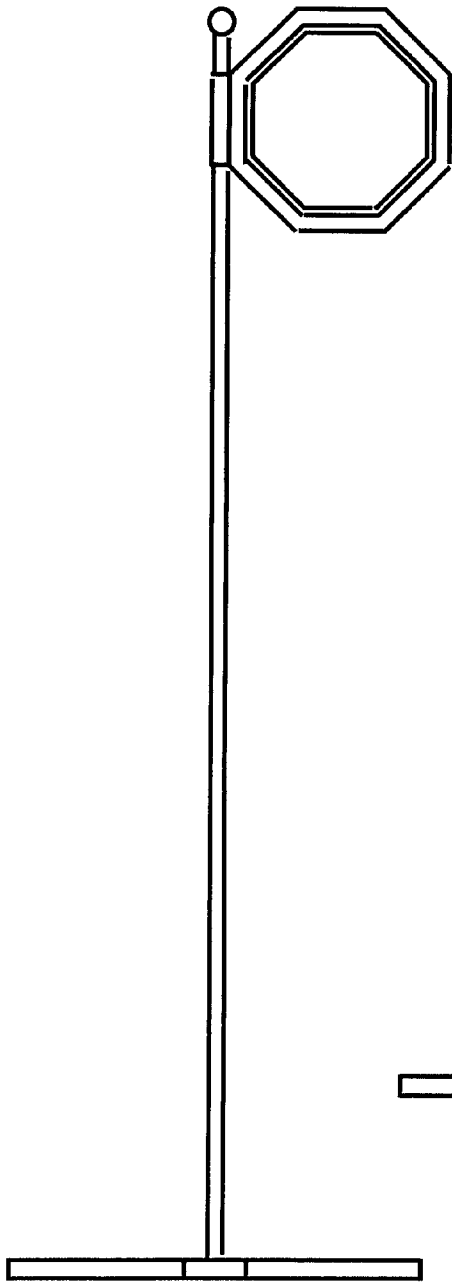
FIG. 1 is a perspective view of a mobile parking limit indicating device showing my new design;  
FIG. 2 is a front view thereof;  
FIG. 3 is a left side view thereof;  
FIG. 4 is a right side view thereof;  
FIG. 5 is a top plan view thereof; and,  
FIG. 6 is a bottom plan view thereof.

**1 Claim, 3 Drawing Sheets**

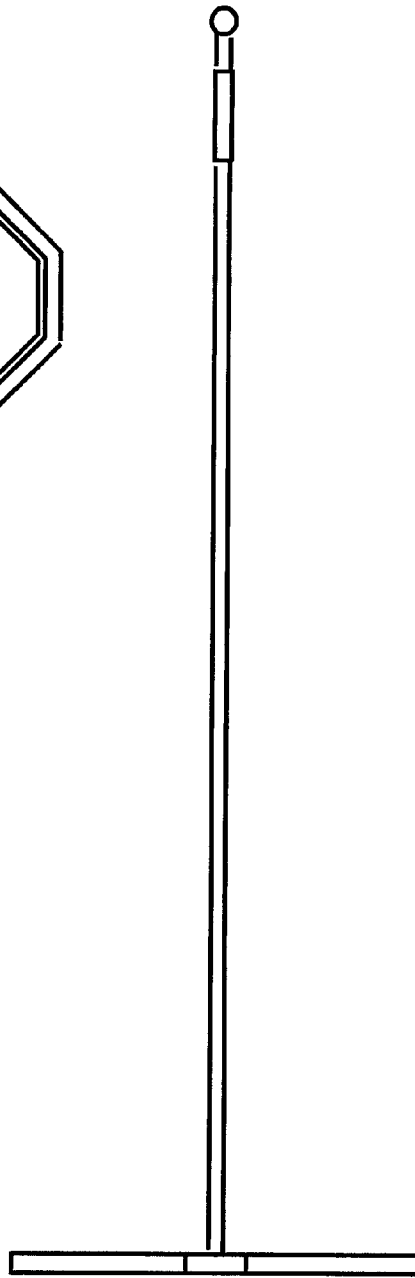




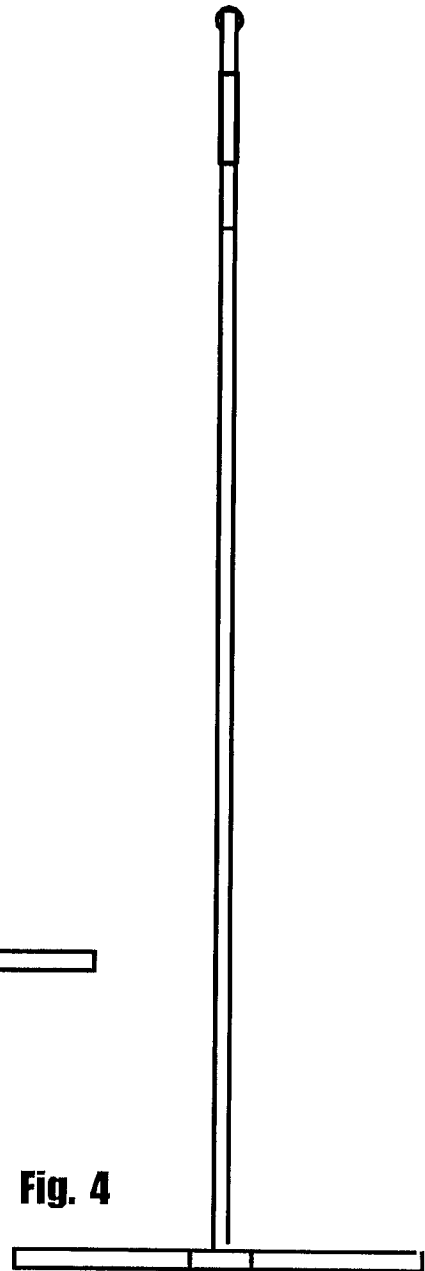
**Fig. 1**



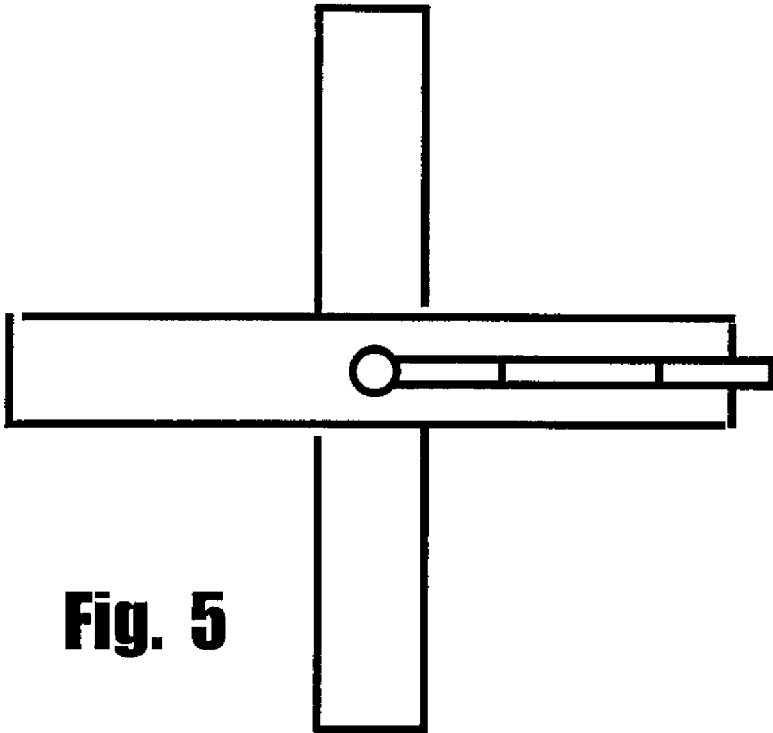
**Fig. 2**



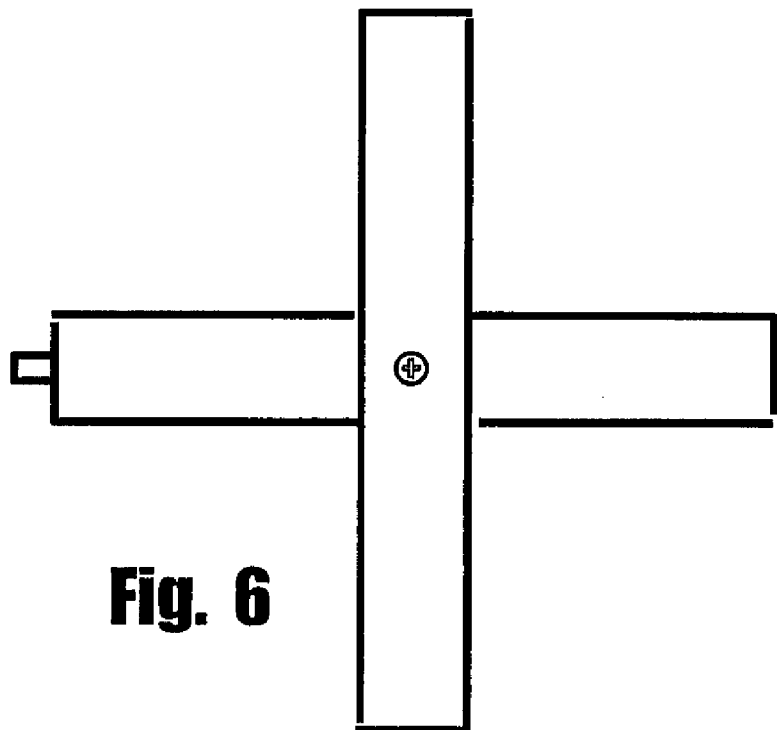
**Fig. 3**



**Fig. 4**



**Fig. 5**



**Fig. 6**