



US0D1003530S

(12) **United States Design Patent**
Tu

(10) **Patent No.:** **US D1,003,530 S**

(45) **Date of Patent:** **** Oct. 31, 2023**

(54) **PET CART**

(71) Applicant: **Hubei Shanglexing Children's Products Co., Ltd, Xiaogan (CN)**

(72) Inventor: **Chuiwu Tu, Hanchuan (CN)**

(73) Assignee: **Hubei Shanglexing Children's Products Co., Ltd, Xiaogan (CN)**

(**) Term: **15 Years**

(21) Appl. No.: **29/890,480**

(22) Filed: **Apr. 24, 2023**

(30) **Foreign Application Priority Data**

Oct. 26, 2022 (CN) 202230708198.4

(51) **LOC (14) Cl.** **30-99**

(52) **U.S. Cl.**
USPC **D30/109; D12/129**

(58) **Field of Classification Search**
USPC D12/129; D21/425, 534; D30/108-109
CPC A01K 1/0236; A01K 1/0245; B62B 7/00;
B62B 7/12
See application file for complete search history.

(56) **References Cited**

U.S. PATENT DOCUMENTS

D438,731 S *	3/2001	Brown	D6/333
D453,593 S *	2/2002	Licciardello	D30/109
D475,660 S *	6/2003	Licciardello	D12/129
D569,049 S *	5/2008	Lin	D30/109
D646,208 S *	10/2011	Ohnishi	D12/133
D723,746 S *	3/2015	Jakubowski	D30/109
D757,370 S *	5/2016	Jakubowski	D30/109
D801,592 S *	10/2017	Jakubowski	D30/109
D815,568 S *	4/2018	Oakes	D12/129
D827,939 S *	9/2018	Jakubowski	D12/129
D835,009 S *	12/2018	Taylor	D12/129

D869,099 S *	12/2019	Lu	D30/109
D869,343 S *	12/2019	Taylor	D12/129
D882,184 S *	4/2020	Jakubowski	D30/109
D897,909 S *	10/2020	Xiang	D12/129
D899,006 S *	10/2020	Chen	D12/129
D923,256 S *	6/2021	Jakubowski	D30/109
D955,060 S *	6/2022	Wu	D12/129
D960,770 S *	8/2022	Jakubowski	D12/129
D974,746 S	1/2023	Huang et al.		

(Continued)

FOREIGN PATENT DOCUMENTS

CN 307765046 * 12/2022

OTHER PUBLICATIONS

Skisopgo Pet Cart, available in Amazon.co.jp, date first available Oct. 7, 2022 [online], [site visited Jun. 8, 2023], Available from the internet URL: <https://www.amazon.co.jp/-en/SKISOPGO-Separated-Stroller-Foldable-Rotation/dp/B0BHLP7J23> (Year: 2022).*

Primary Examiner — Vy N Koenig

Assistant Examiner — Elizabeth Anne Glassberg

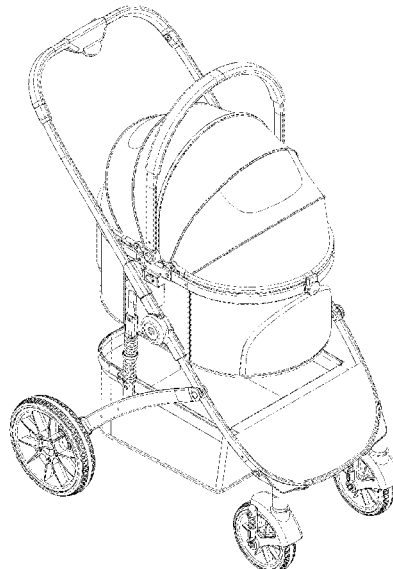
(57) **CLAIM**

The ornamental design for a pet cart, as shown and described.

DESCRIPTION

FIG. 1 is a rear, left side and top perspective view of a pet cart, showing my new design;
FIG. 2 is a front, left side and top perspective view thereof;
FIG. 3 is a front, right side and top perspective view thereof;
FIG. 4 is a front view thereof;
FIG. 5 is a rear view thereof;
FIG. 6 is a right side view thereof;
FIG. 7 is a left side view thereof;
FIG. 8 is a bottom view thereof; and,
FIG. 9 is a top view thereof.

1 Claim, 9 Drawing Sheets



(56)

References Cited

U.S. PATENT DOCUMENTS

D982,838 S * 4/2023 Han D12/129
D988,611 S * 6/2023 Pang D12/129

* cited by examiner

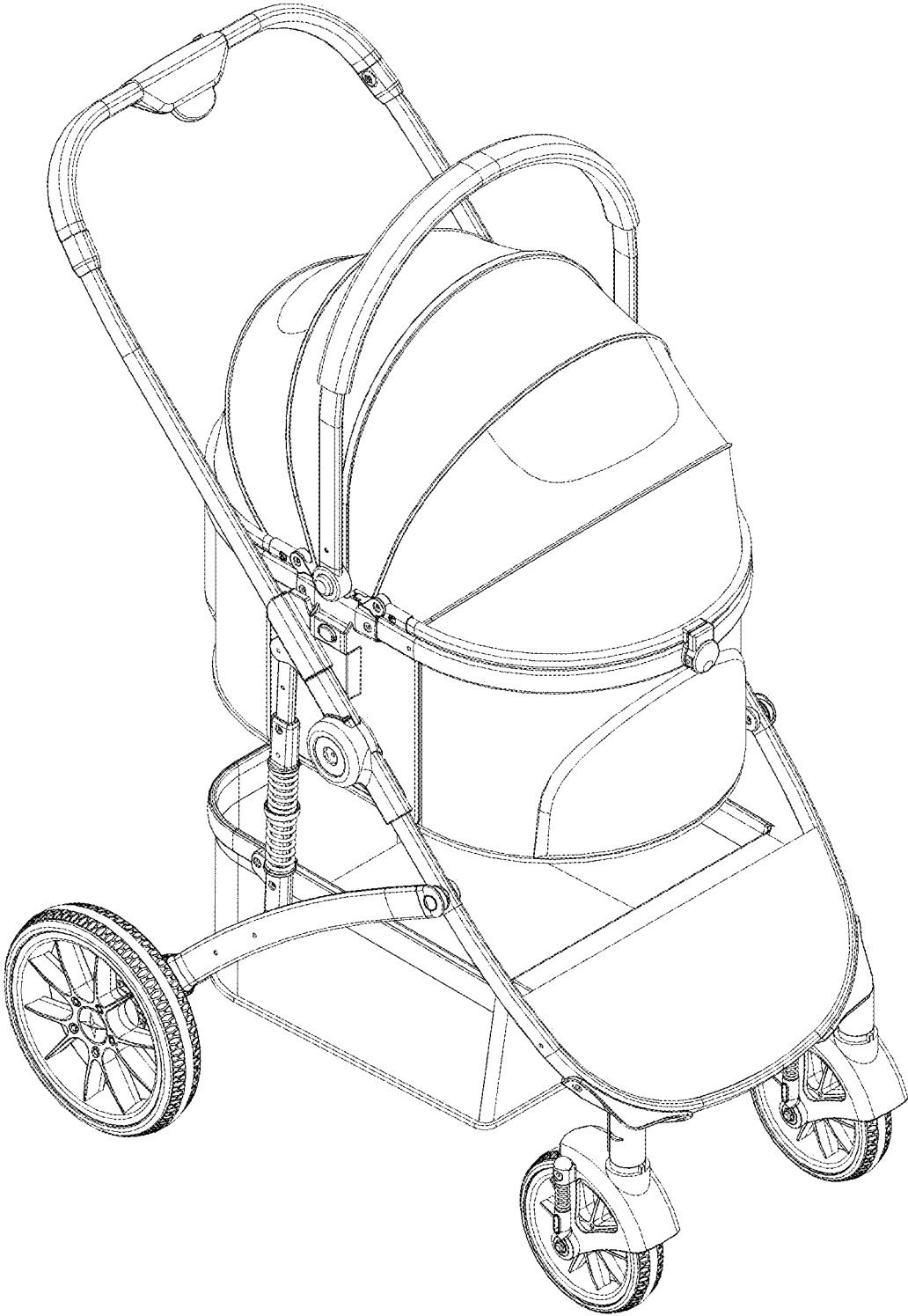


FIG. 1

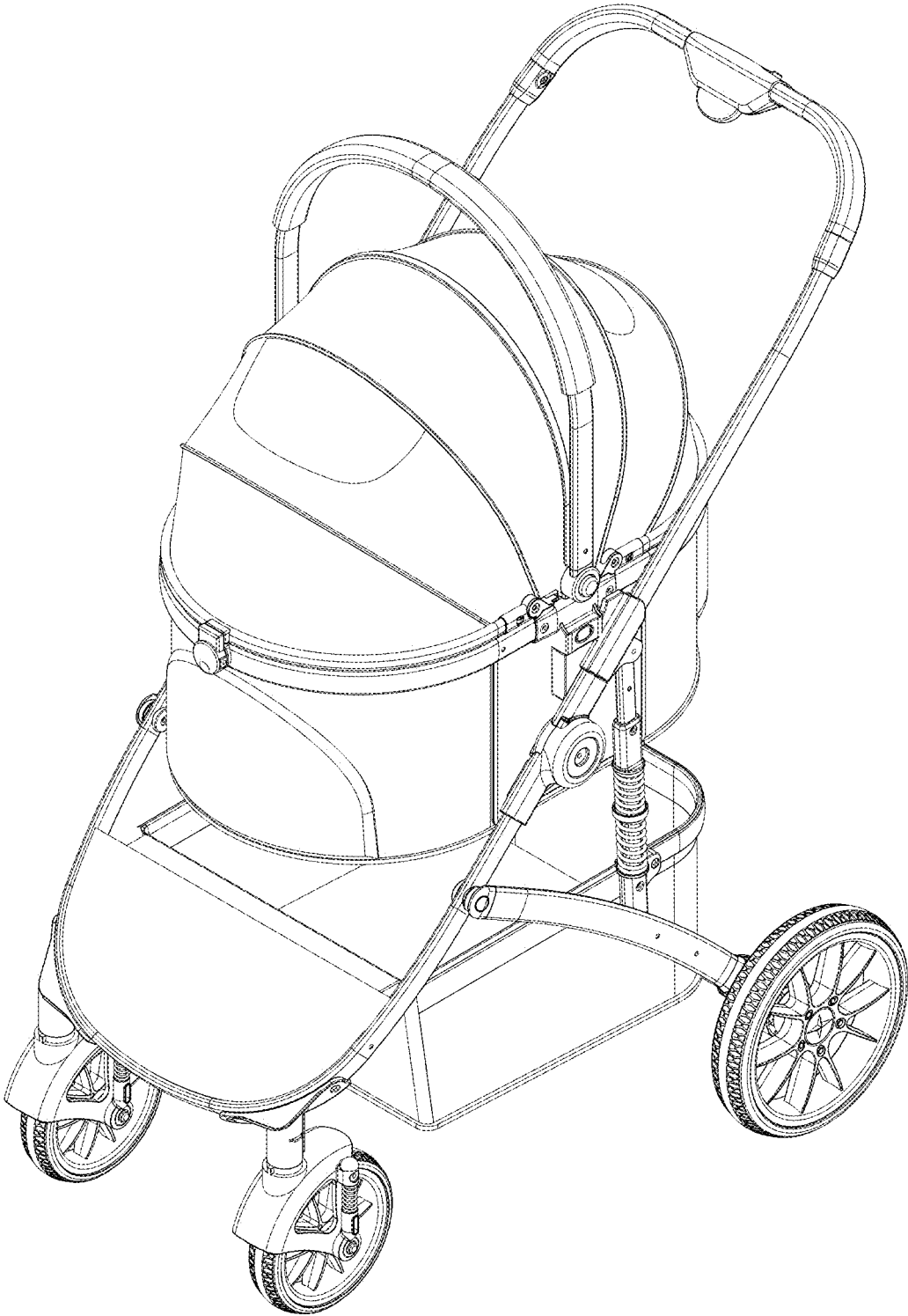


FIG.2

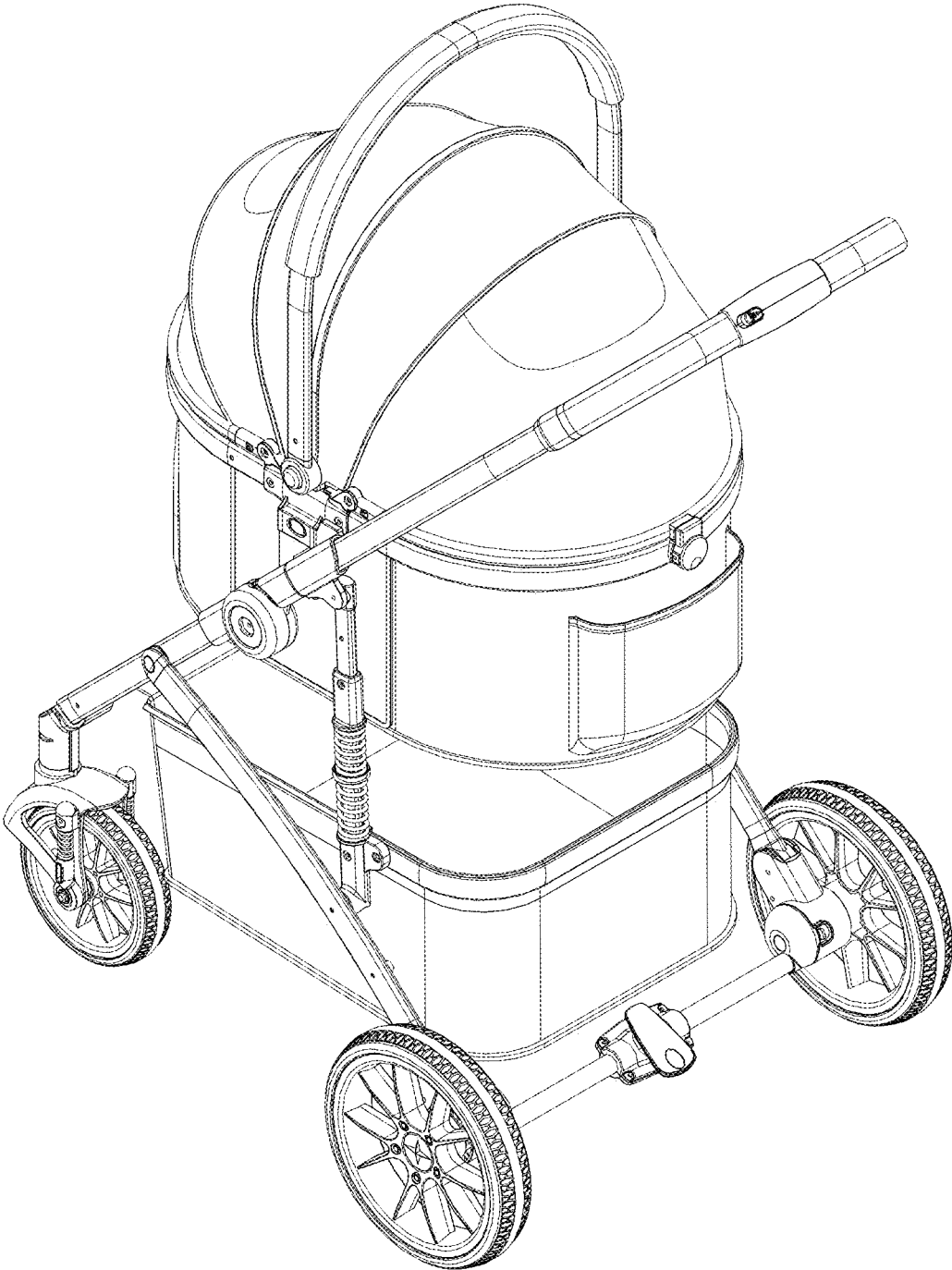


FIG.3

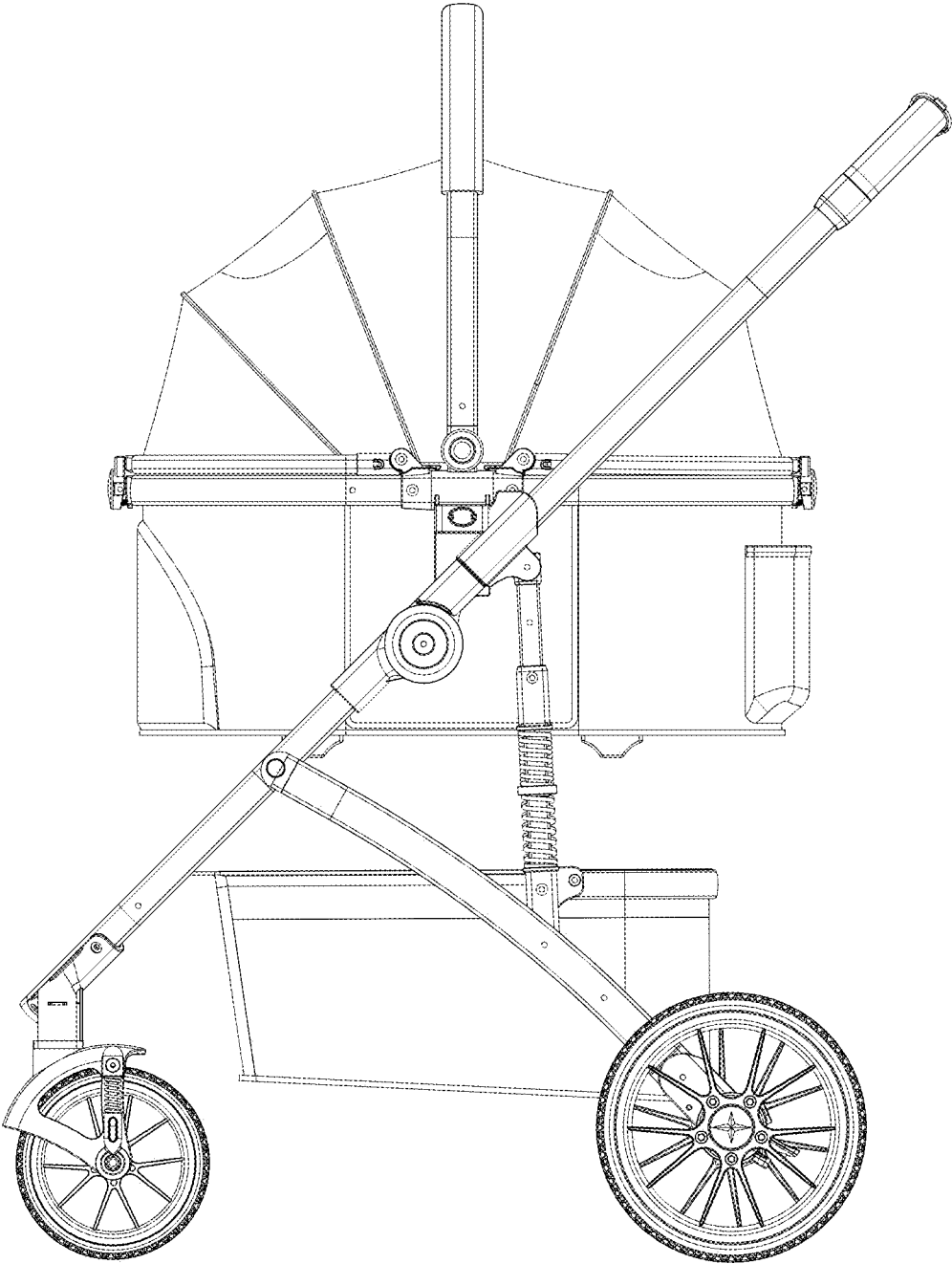


FIG.4

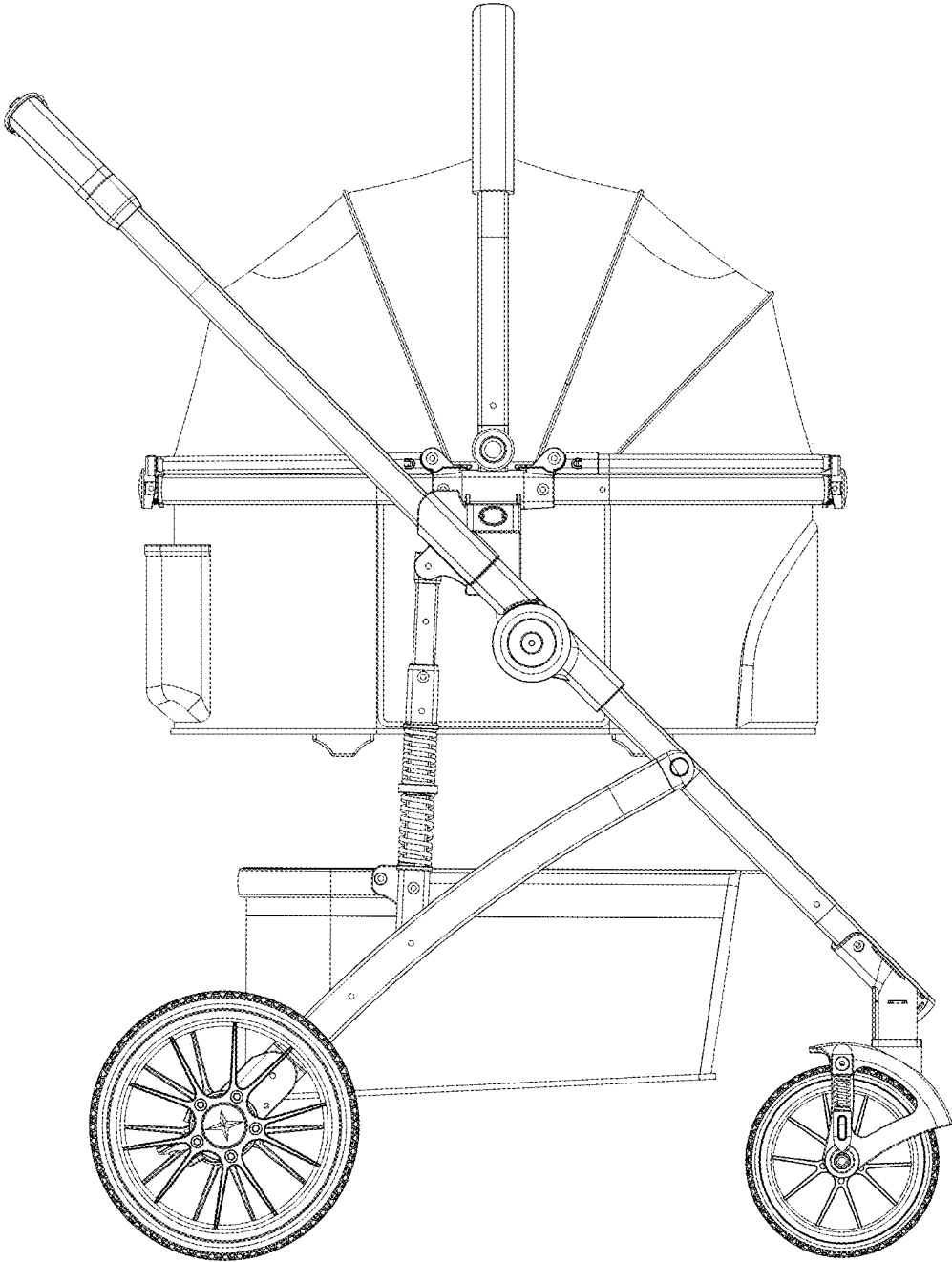


FIG.5

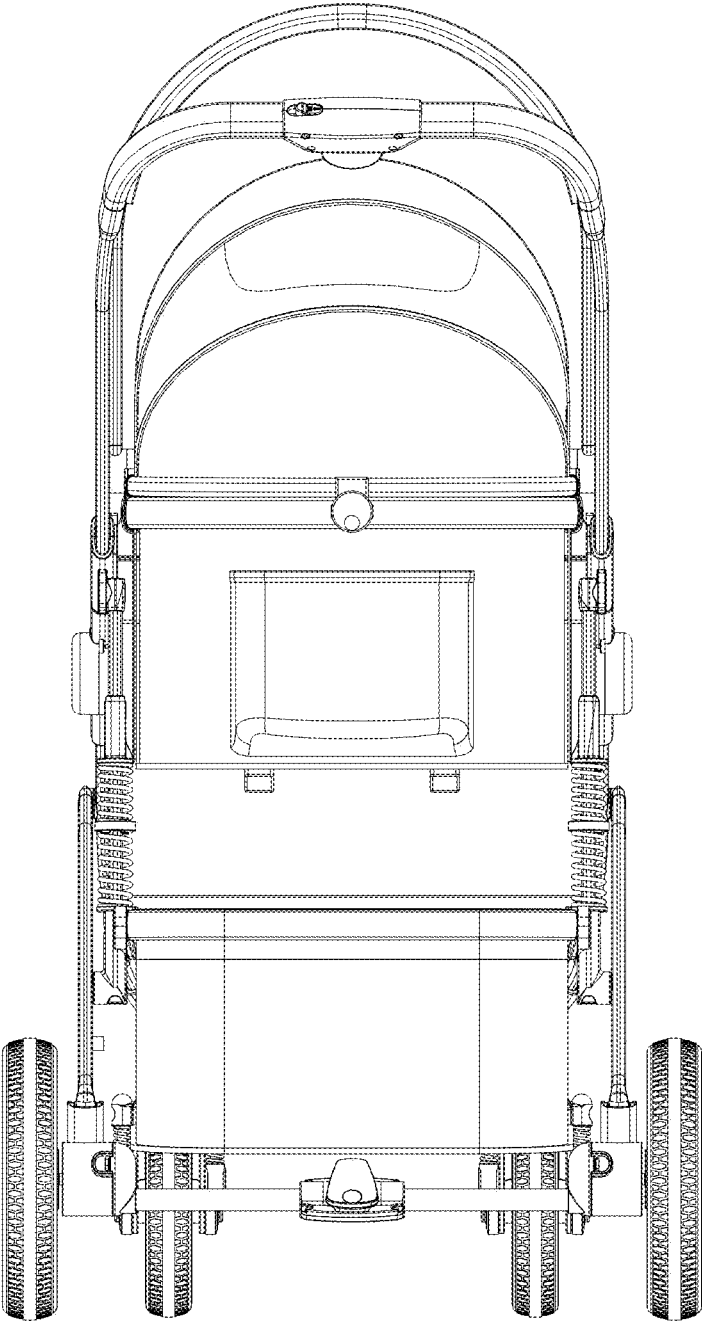


FIG.6

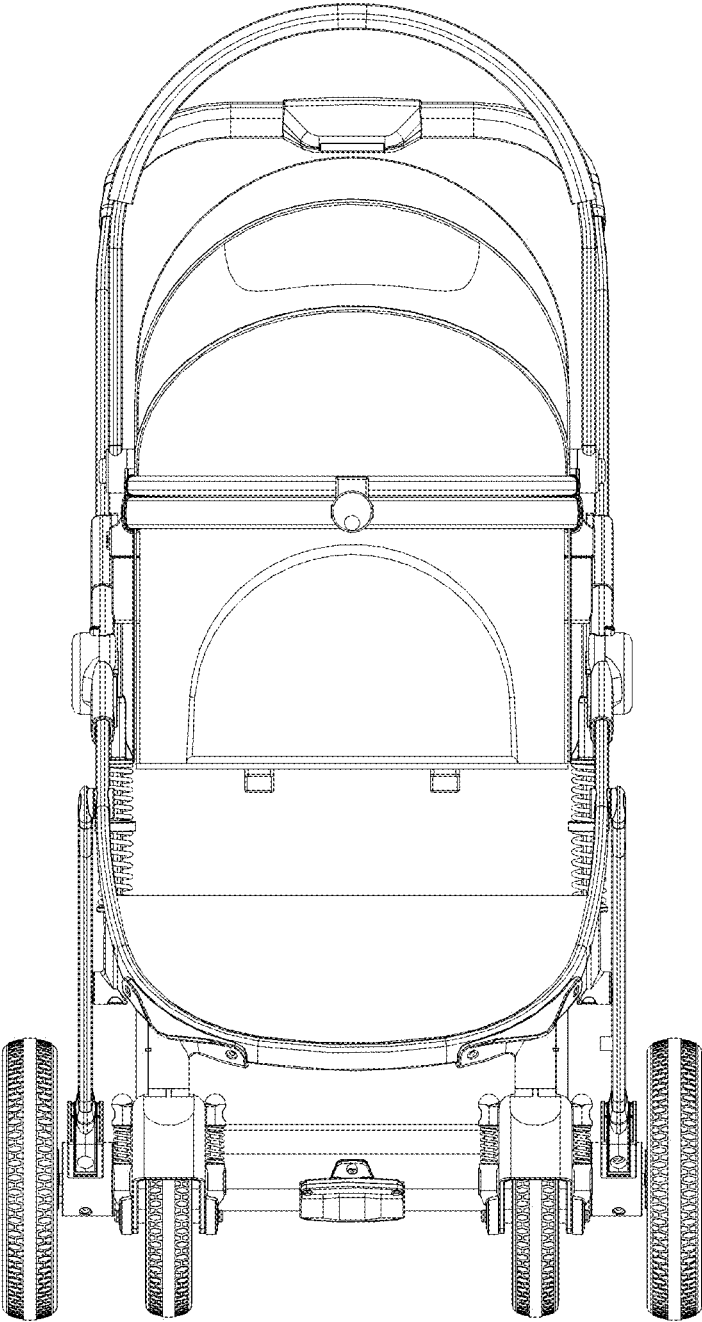


FIG.7

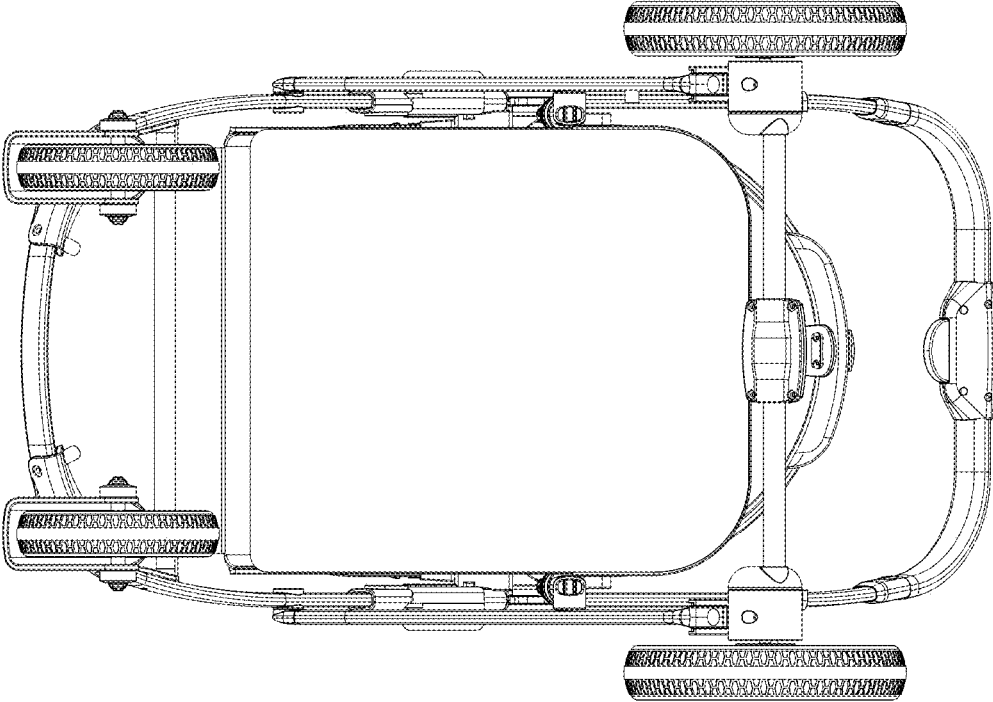


FIG.8

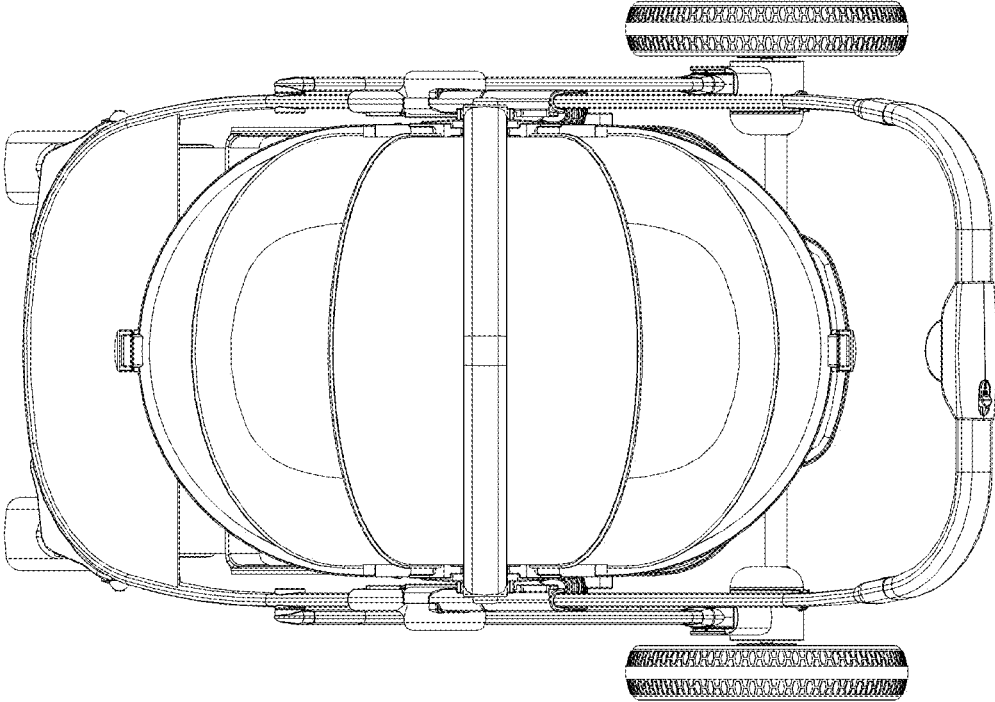


FIG.9