



US0D1027872S

(12) **United States Design Patent**
Ma

(10) **Patent No.:** **US D1,027,872 S**

(45) **Date of Patent:** **** May 21, 2024**

(54) **CONNECTION BOX**

(71) Applicant: **Shenzhen Hitoplux Optoelectronic Co., Ltd.,** Shenzhen (CN)

(72) Inventor: **Yingshan Ma,** Xiangtan Hunan (CN)

(**) Term: **15 Years**

(21) Appl. No.: **29/929,311**

(22) Filed: **Feb. 21, 2024**

(51) **LOC (14) Cl.** **13-03**

(52) **U.S. Cl.**
USPC **D13/152**

(58) **Field of Classification Search**
USPC D13/103, 110, 112, 122, 152, 156, 158,
D13/184, 199

See application file for complete search history.

(56) **References Cited**

U.S. PATENT DOCUMENTS

D507,241 S *	7/2005	Koessler	D13/152
D688,211 S *	8/2013	Xue	D13/152
D707,183 S *	6/2014	Villen Hernandez	D13/152
D751,423 S *	3/2016	Baldwin	D10/40
D778,241 S	2/2017	Holbrook	
D797,671 S *	9/2017	Andersson	D13/122
D879,040 S *	3/2020	Moule	D13/133
D966,201 S *	10/2022	Dent	D13/152
D974,307 S *	1/2023	Wade	D13/152
D975,028 S *	1/2023	Bogart	D13/152
D976,214 S *	1/2023	Zheng	D13/152

D1,001,746 S *	10/2023	Chen	D13/152
2018/0083375 A1 *	3/2018	Matsumura	B60R 16/0238
2021/0006054 A1 *	1/2021	Carnick	B60R 16/0238

* cited by examiner

Primary Examiner — Keli L Hill

Assistant Examiner — Harold E Blackwell, II

(74) *Attorney, Agent, or Firm* — Vladimir Postnikov

(57) **CLAIM**

The ornamental design for a connection box, as shown and described.

DESCRIPTION

FIG. 1 is a front elevation view of a connection box showing the new design;

FIG. 2 is a back elevation view thereof;

FIG. 3 is a left-side view thereof;

FIG. 4 is a right-side view thereof;

FIG. 5 is a top plan view thereof;

FIG. 6 is a bottom plan view thereof;

FIG. 7 is a perspective view thereof;

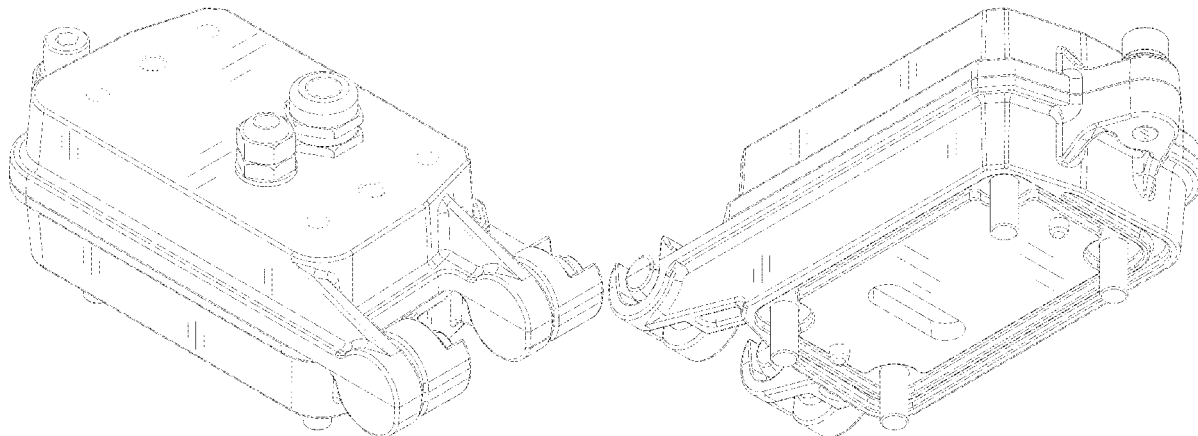
FIG. 8 is another perspective view thereof;

FIG. 9 is a perspective view of the connection box in an open position; and,

FIG. 10 is a perspective view of the connection box as it would be positioned during use.

The broken lines of FIG. 10 depicting a bracket and a LED parking lot light represent environmental structure that forms no part of the claimed design. The remainder of the broken lines depict portions of the connection box that form no part of the claimed design.

1 Claim, 10 Drawing Sheets



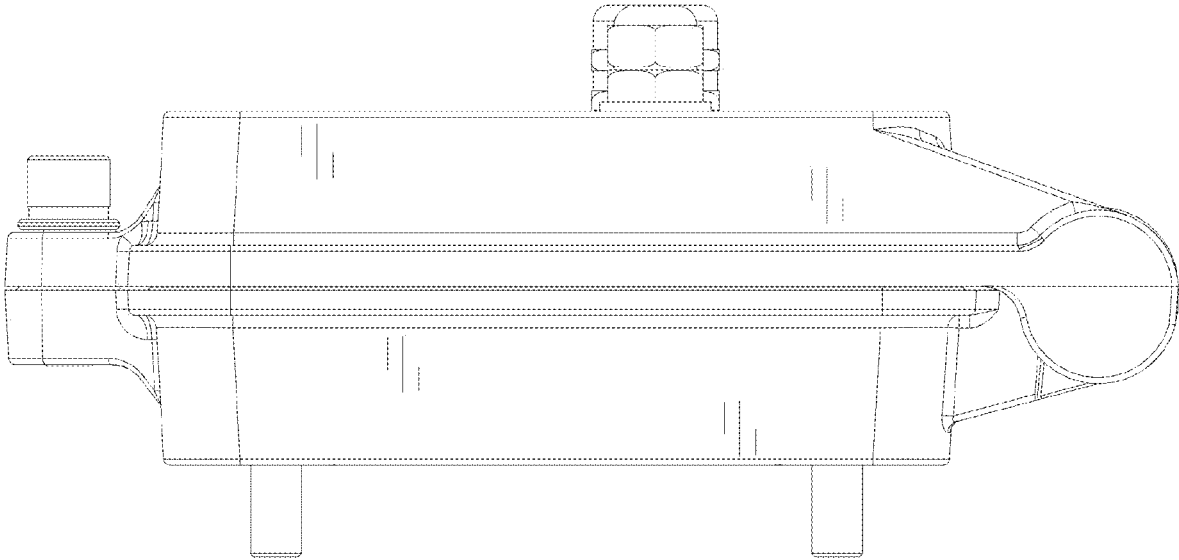


FIG. 1

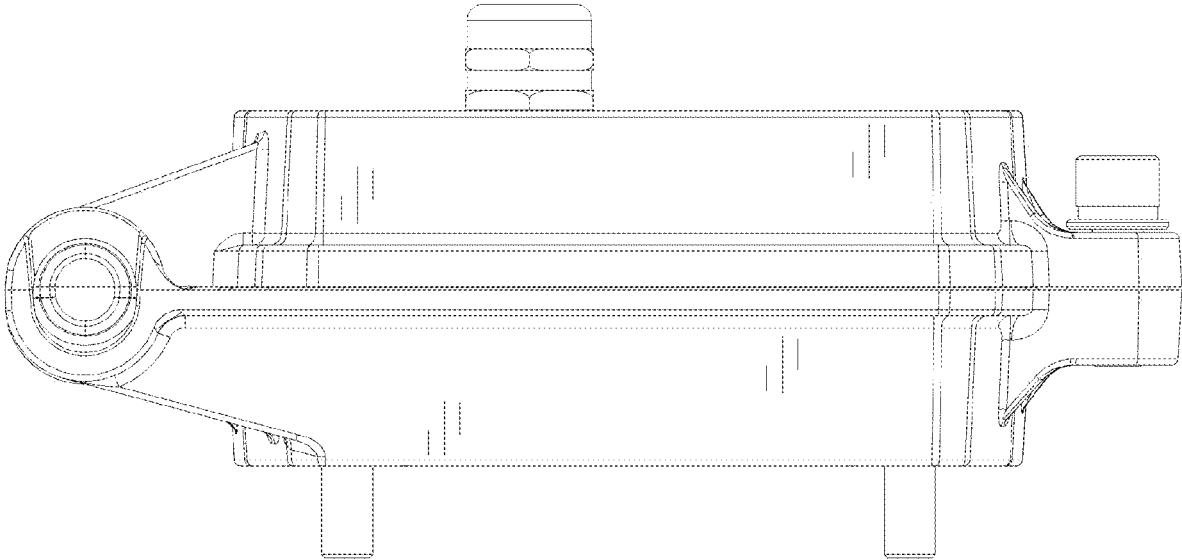


FIG. 2

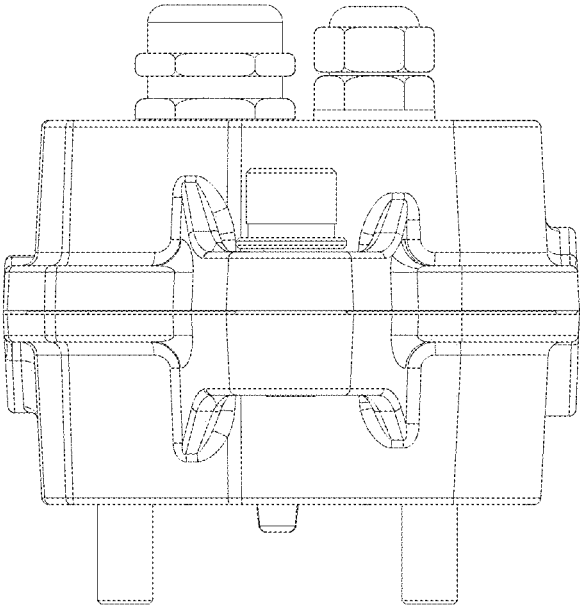


FIG. 3

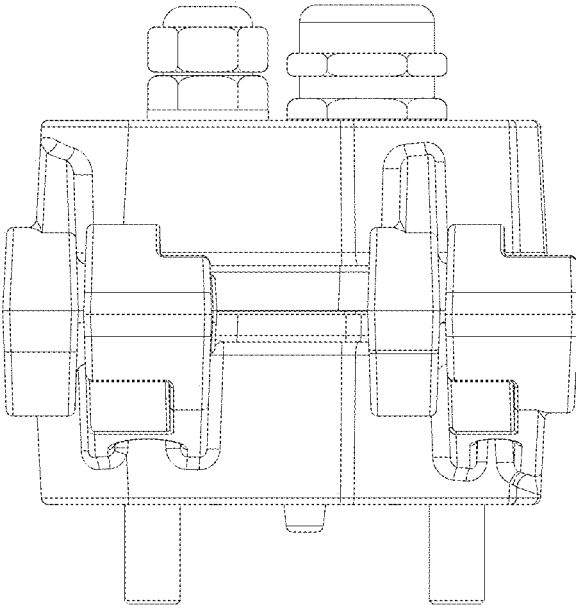


FIG. 4

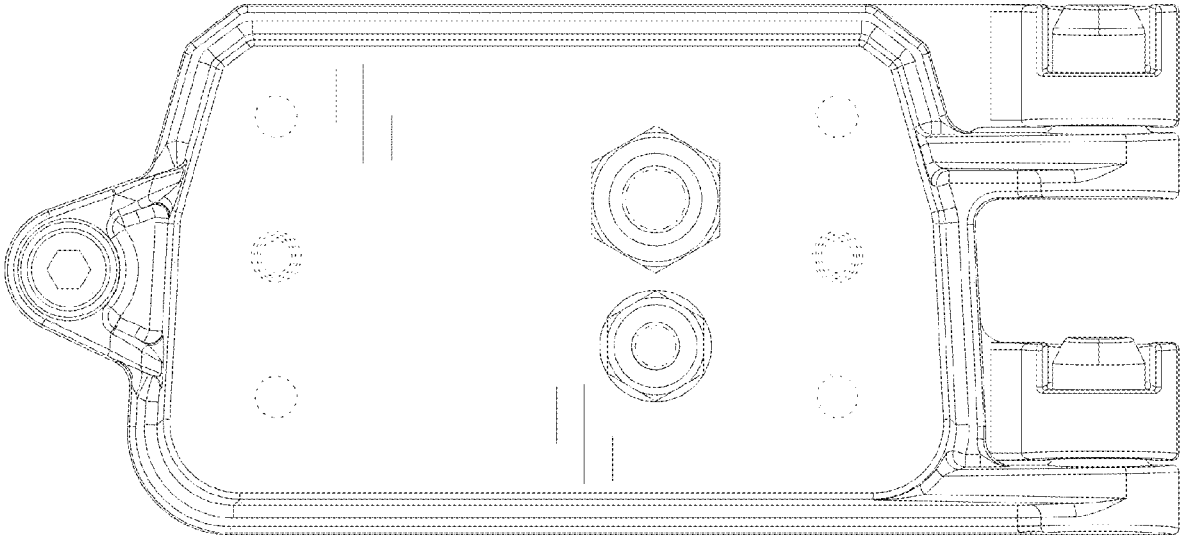


FIG. 5

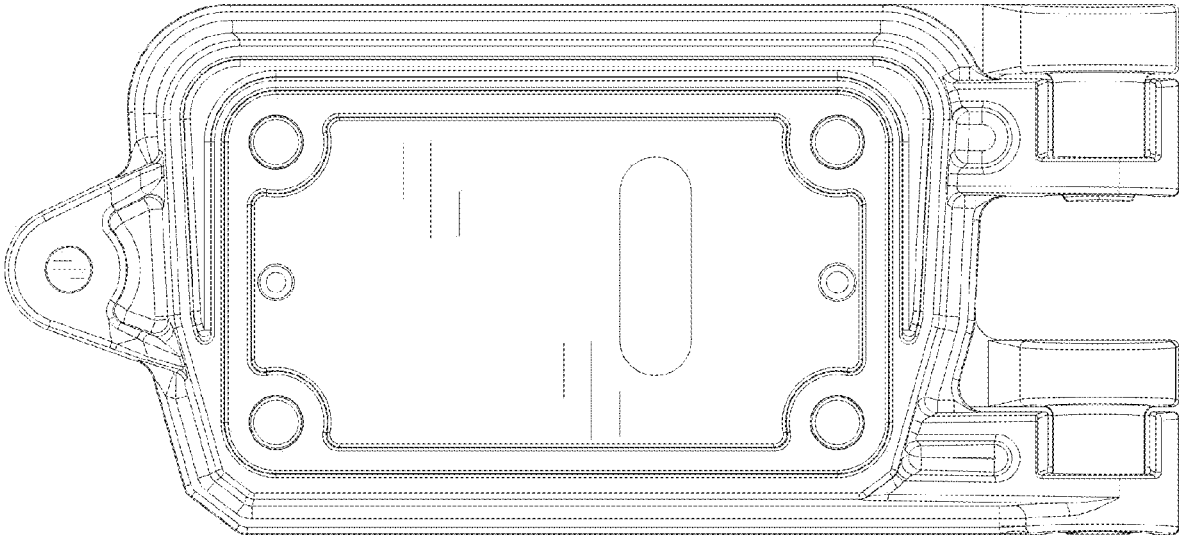


FIG. 6

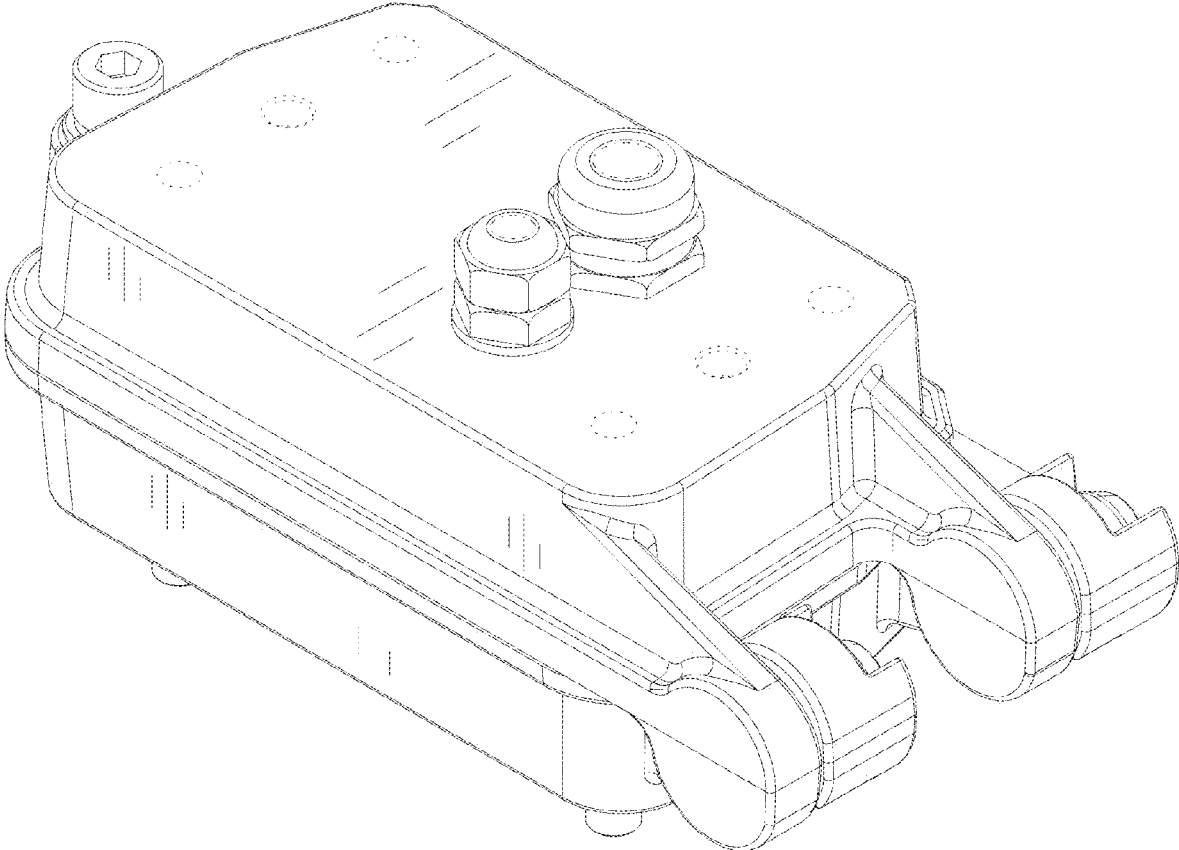


FIG. 7

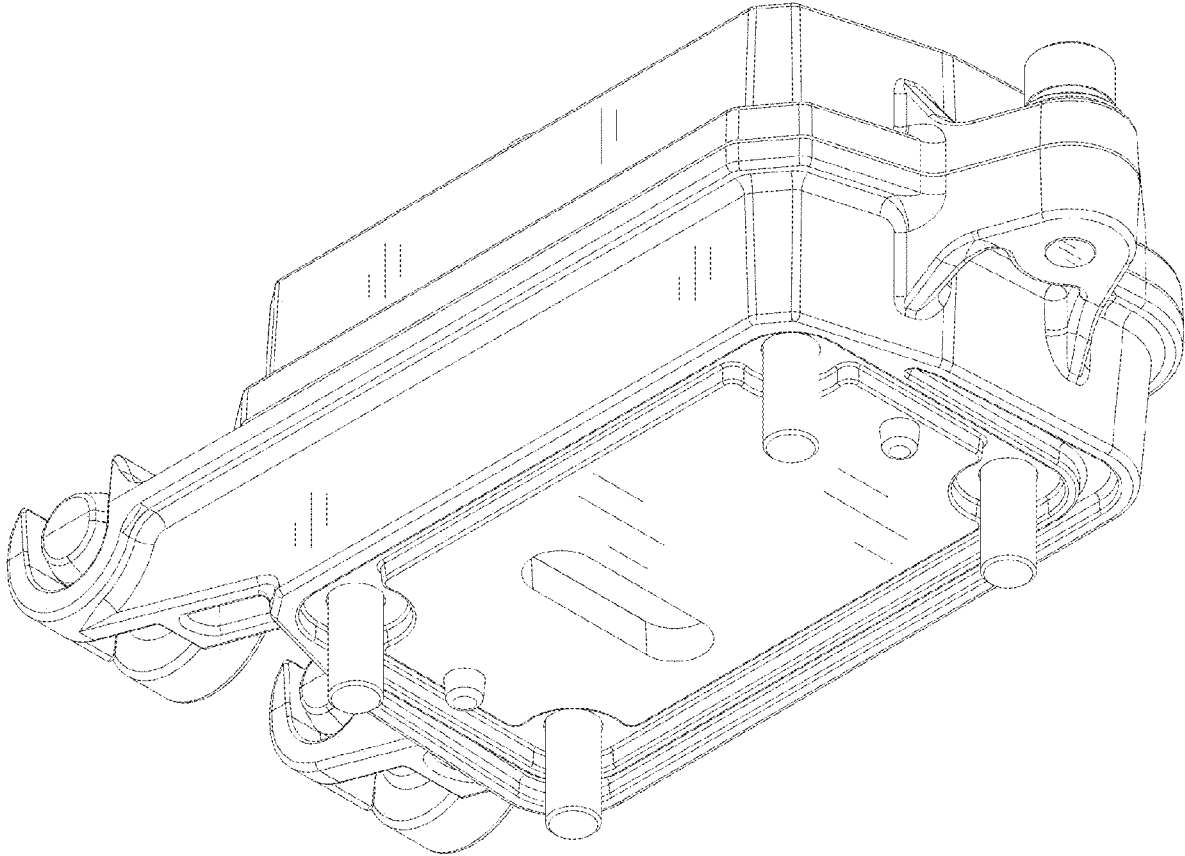


FIG. 8

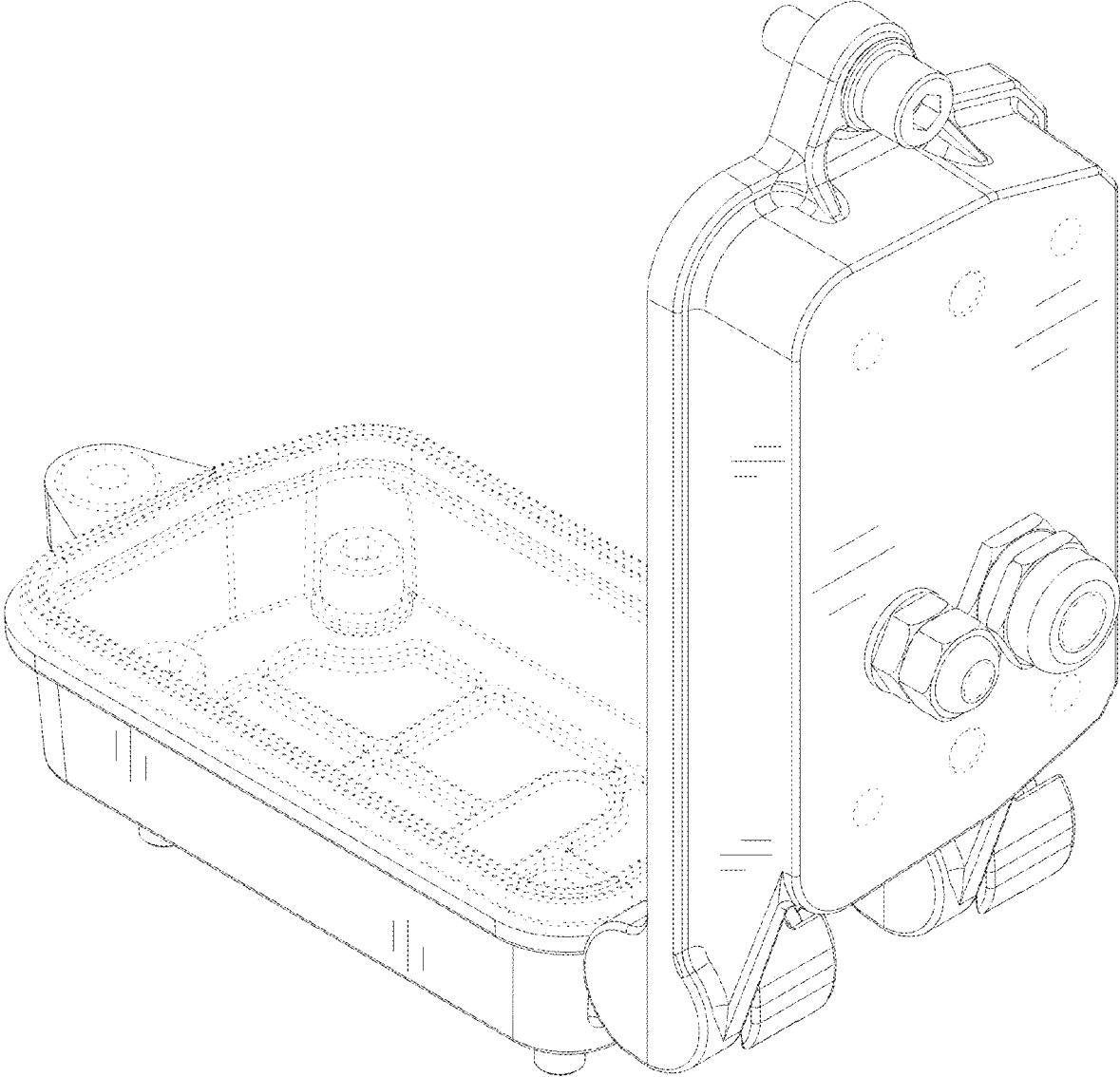


FIG. 9

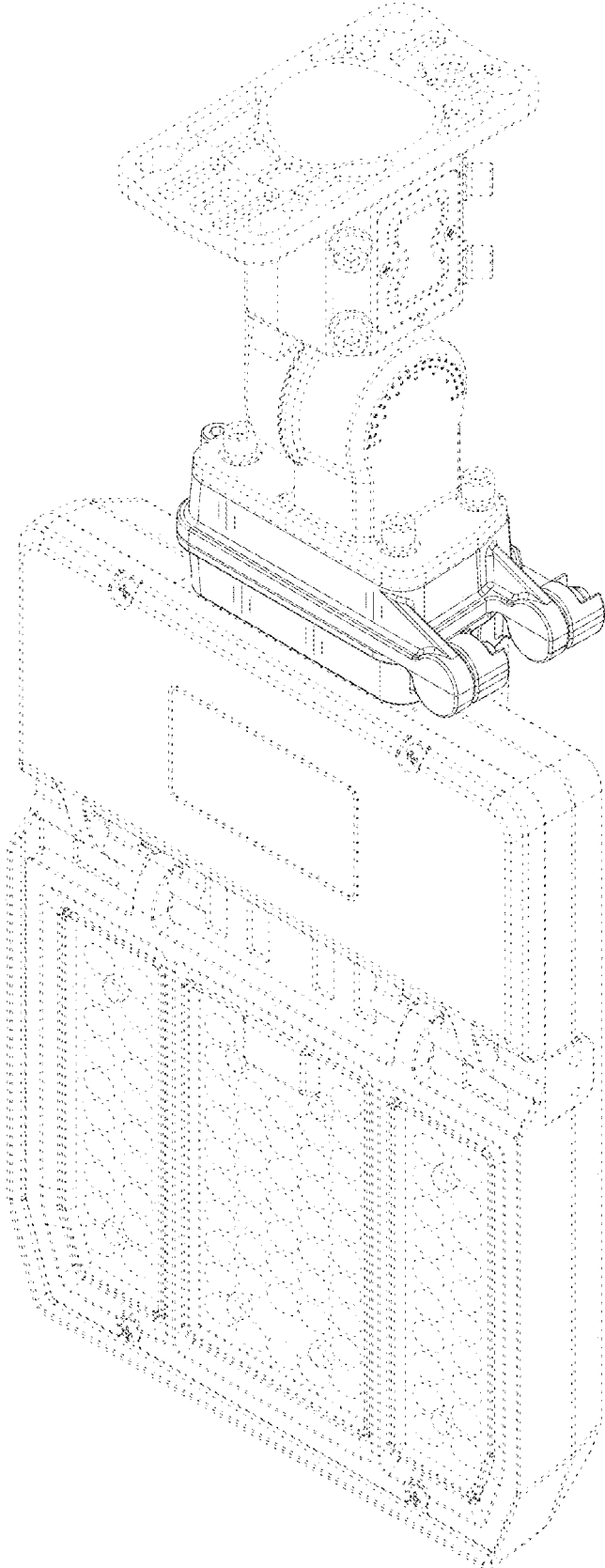


FIG. 10