



US00D887136S

(12) **United States Design Patent**
Tan

(10) **Patent No.:** **US D887,136 S**

(45) **Date of Patent:** **** Jun. 16, 2020**

- (54) **DOUBLE DECKER TACKLE BAG**
- (71) Applicant: **Evolution Outdoor Design**, Longview, TX (US)
- (72) Inventor: **Roger Tan**, Chino, CA (US)
- (73) Assignee: **Thousand Oaks Corp.**, Irwindale, CA (US)
- (**) Term: **15 Years**

D821,097 S *	6/2018	Burton	D3/289
D833,141 S *	11/2018	Carter	D3/217
D835,473 S *	12/2018	Jacobsen	D7/607
D835,950 S *	12/2018	Jacobsen	D7/607
D836,999 S *	1/2019	Jacobsen	D7/607
D837,000 S *	1/2019	Jacobsen	D7/607

(Continued)

Primary Examiner — Mitchell I. Siegel

(74) *Attorney, Agent, or Firm* — J. Andrew Reed; Carstens & Cahoon, LLP

- (21) Appl. No.: **29/673,183**
- (22) Filed: **Dec. 12, 2018**
- (51) **LOC (12) Cl.** **13-01**
- (52) **U.S. Cl.**
USPC **D3/260**
- (58) **Field of Classification Search**
USPC D3/201, 217, 254, 260, 270, 272, 273, D3/276, 288, 303, 315; D7/605, 607
CPC A45C 11/20; A01K 97/06
See application file for complete search history.

(57) **CLAIM**

The ornamental design for a double decker tackle bag, as shown and described.

DESCRIPTION

The patent or application file contains at least one drawing executed in color. Copies of this patent or patent application publication with color drawing(s) will be provided by the Office upon request and payment of the necessary fee.

FIG. 1 is a front elevation view of the double decker tackle bag;

FIG. 2 is a rear elevation view of the double decker tackle bag;

FIG. 3 is a left side elevation view of the double decker tackle bag;

FIG. 4 is a right side elevation view of the double decker tackle bag;

FIG. 5 is a top view of the double decker tackle bag;

FIG. 6 is a bottom view of the double decker tackle bag;

FIG. 7 is a left side perspective view of the double decker tackle bag; and,

FIG. 8 is a right side perspective view of the double decker tackle bag.

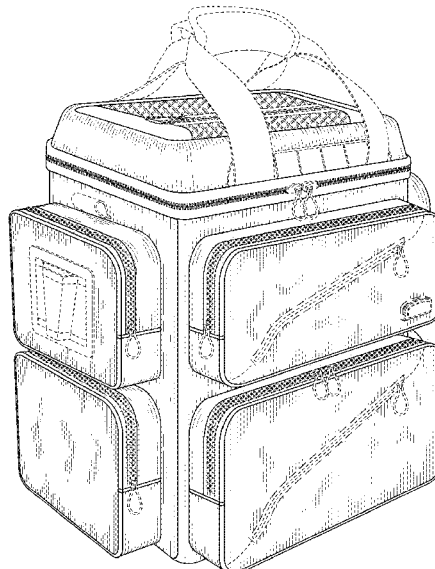
The broken lines shown are included for the purpose of illustrating unclaimed subject matter and forms no part of the claimed design.

(56) **References Cited**

U.S. PATENT DOCUMENTS

D347,521 S *	6/1994	Elliott	D3/287
D360,182 S *	7/1995	Lovett	D12/409
D376,044 S *	12/1996	Trawick	D3/283
D383,601 S *	9/1997	Jones	D3/260
D389,305 S *	1/1998	Hauschild	D3/260
D427,768 S *	7/2000	Bogert	D3/279
D474,598 S *	5/2003	Platte, III	D3/279
D506,061 S *	6/2005	McGibben	D3/260
D620,254 S *	7/2010	Noraker	D3/260
D639,051 S *	6/2011	Dare	D3/260
D660,589 S *	5/2012	Ayjian	D3/260
D714,541 S *	10/2014	Anderson	D3/217
D724,318 S *	3/2015	Myer	D3/233
D742,637 S *	11/2015	Miles	D3/274
D787,816 S *	5/2017	Slimane	D3/217
D793,728 S *	8/2017	Faibish	D3/279

1 Claim, 7 Drawing Sheets
(1 of 7 Drawing Sheet(s) Filed in Color)



(56)

References Cited

U.S. PATENT DOCUMENTS

D837,001	S *	1/2019	Jacobsen	D7/607
D856,662	S *	8/2019	Breines	D3/217
D873,090	S *	1/2020	Jacobsen	D7/607
D874,129	S *	2/2020	Goldstein	D3/217
D875,385	S *	2/2020	Carter	D3/217
2005/0121275	A1 *	6/2005	Platte, III	A45C 5/065 190/103

* cited by examiner

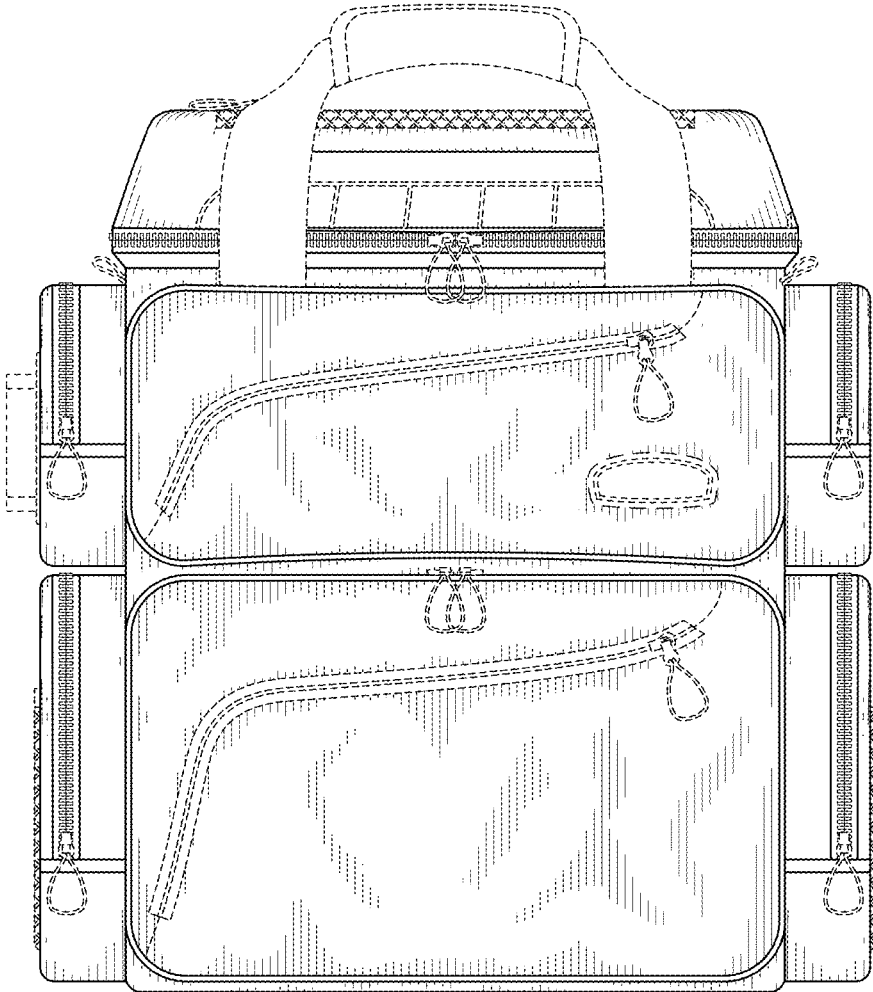


FIG. 1

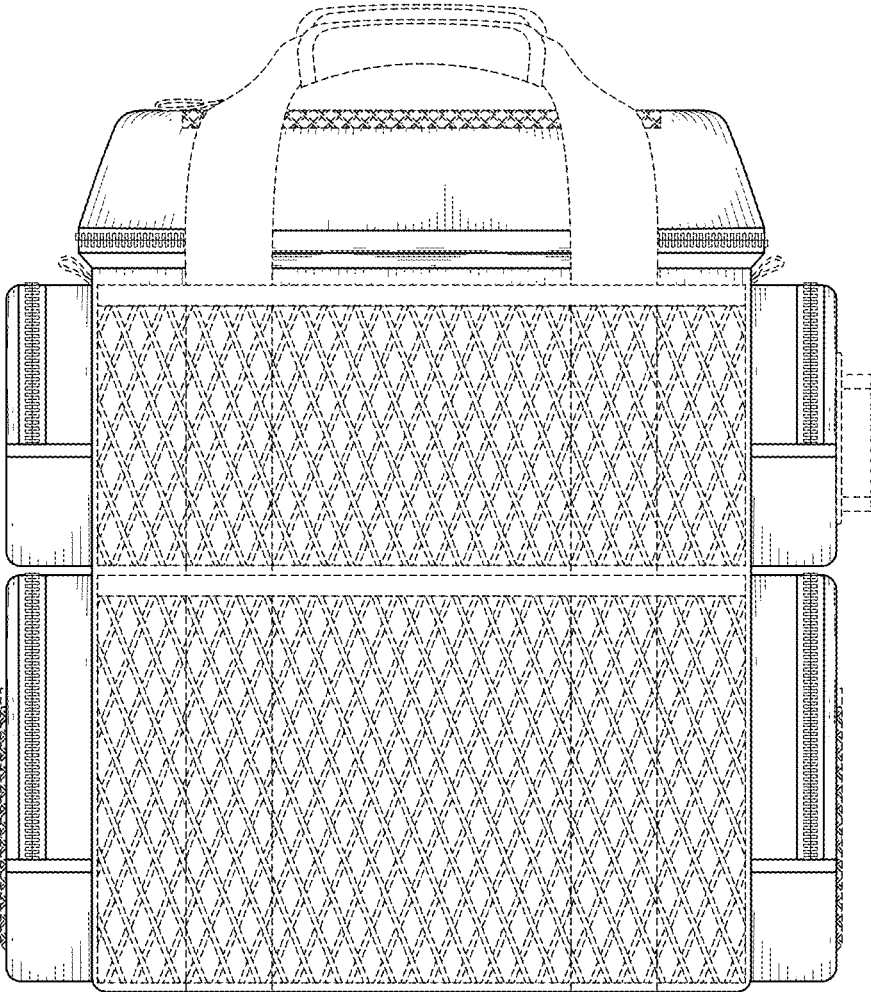


FIG. 2

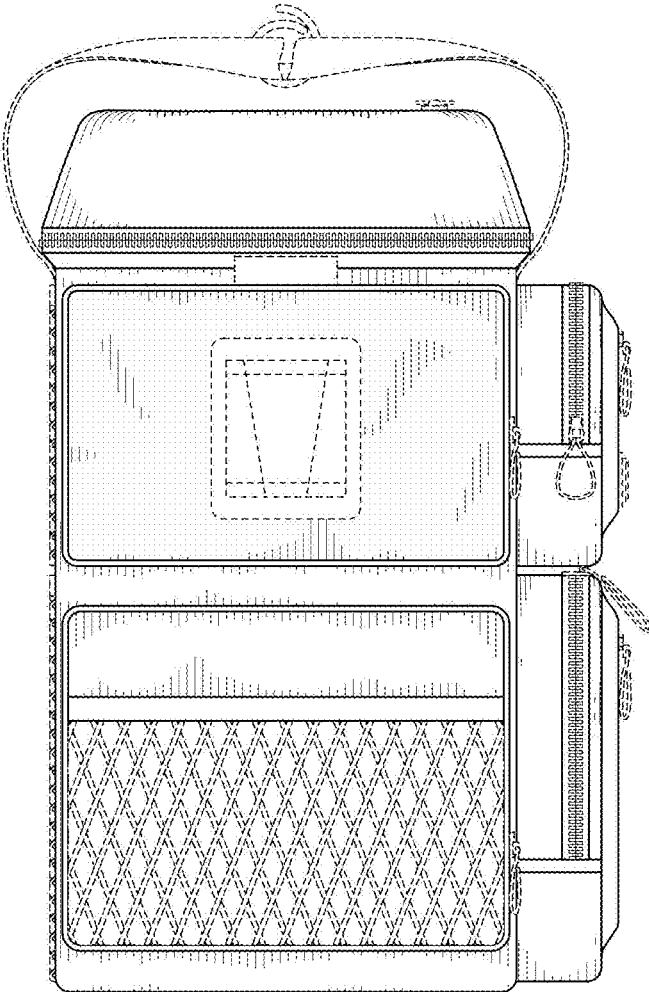


FIG. 3

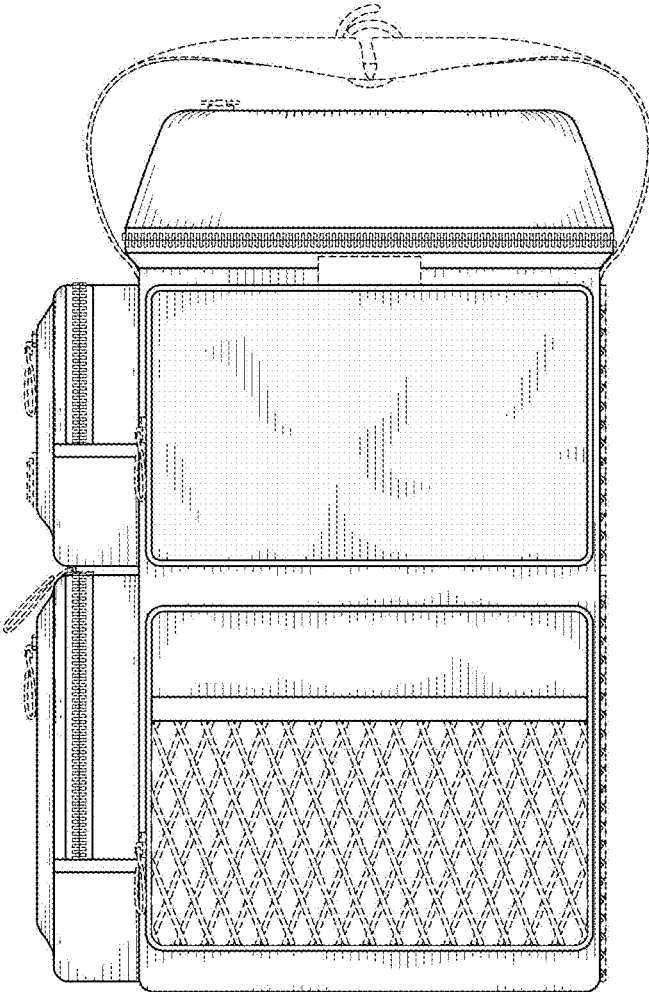


FIG. 4

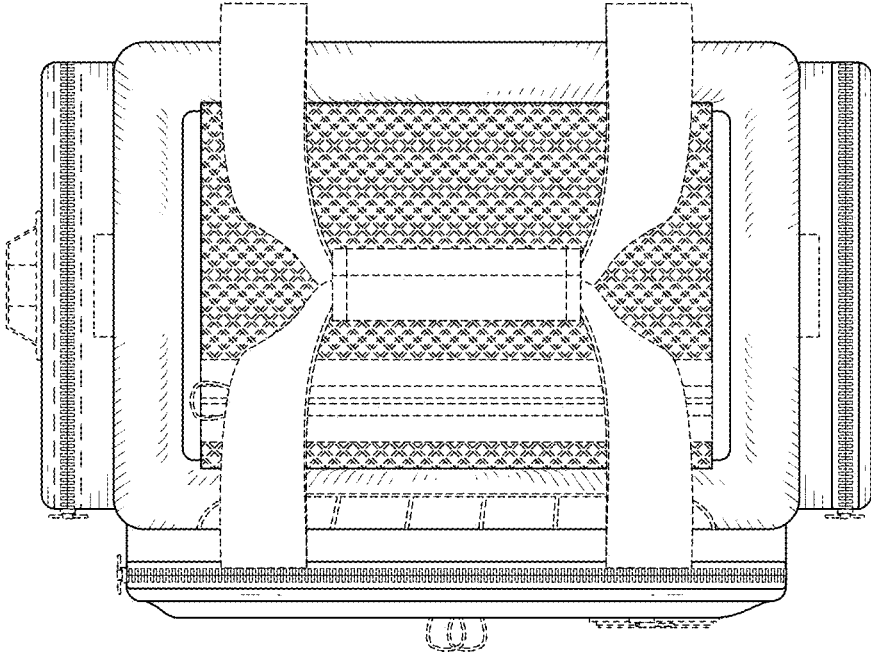


FIG. 5

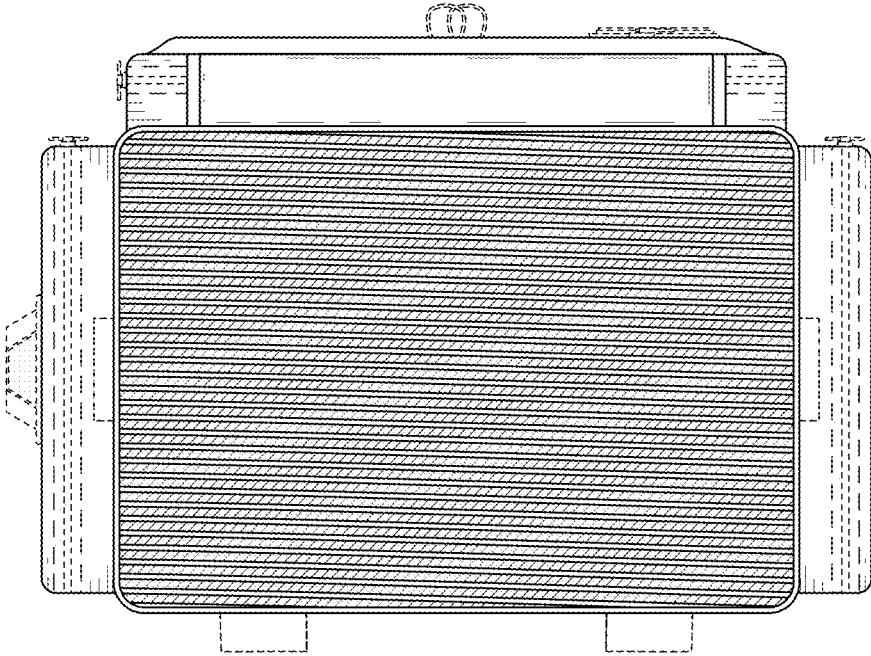


FIG. 6

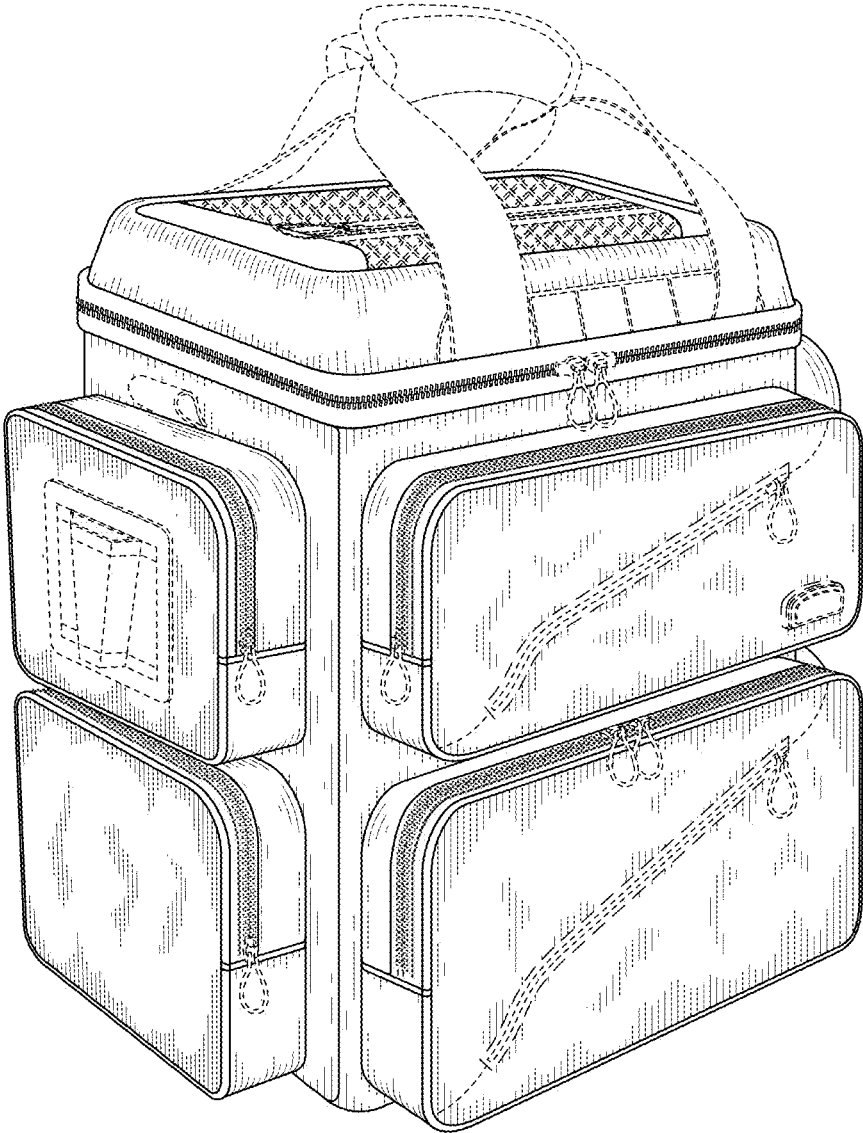


FIG. 7

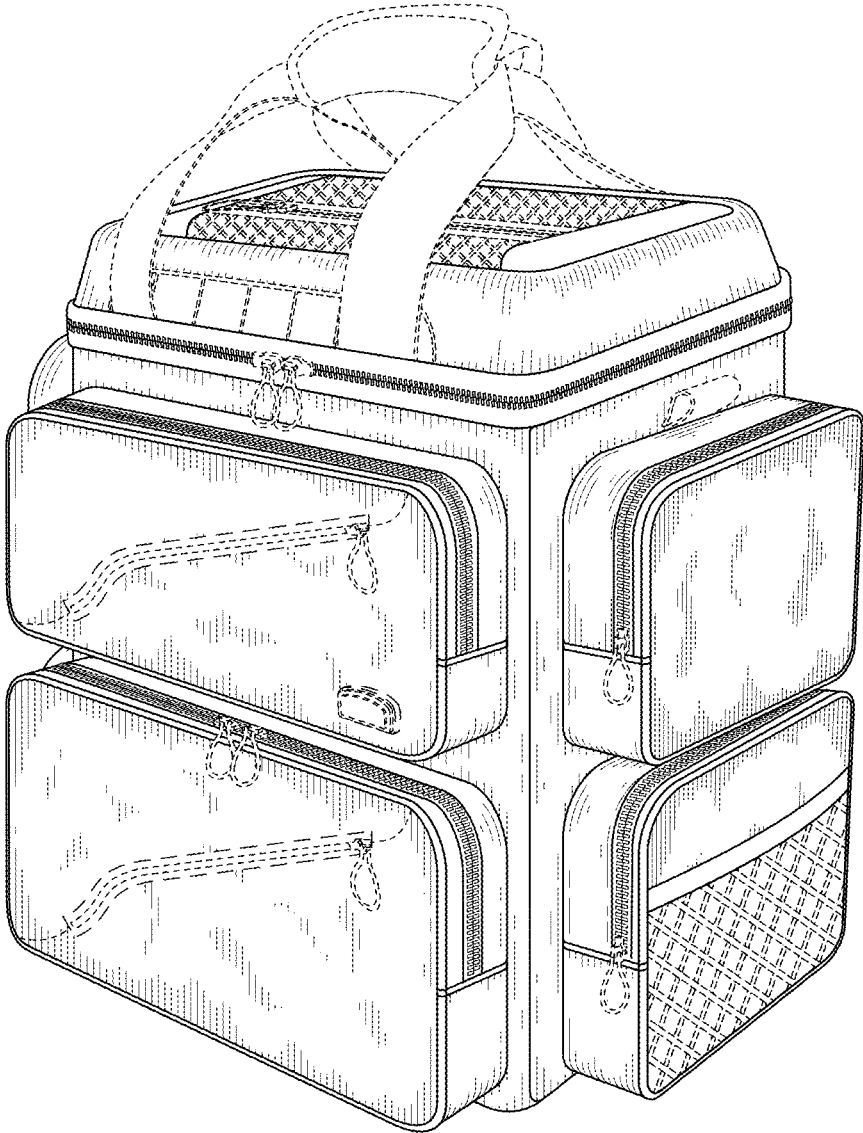


FIG. 8